

# ControlSpace® EX-8ML mic/GPIO Dante™ endpoint

## Product Description

Optimized for use with the EX-1280C, the EX-8ML Dante™ endpoint, is a convenient, cost effective solution for connecting up to 8 conferencing microphones over a single cat-5/6 cable. Whether used under a conference table, daisy-chained with other EX or endpoints, or standalone in a rack, the EX-8ML adds 8 high-quality microphone/line inputs, 8 GPI, and 16 GPO to your networked audio system. Autodiscovery, drag and drop programming, auto-routing routing, and simplified logic control in ControlSpace® Designer™ make configuring the EX-8ML easy. Tasks such as configuring microphone LED status and microphone mute actions are greatly simplified within ControlSpace Designer without requiring external control system programming.



## Key Features

- **One-cable-from-the table connectivity** supports PoE+ , Dante™ audio networking, logic I/O and LED power to maximize ease of integration
- **Broad conference microphone compatibility** with 8 high-quality mic/line input channels, each featuring 48V phantom power, 12V LED power, 1 logic input and 2 logic outputs for interfacing with microphone pushbuttons and indicators
- **Dante™ audio networking** for connection to other Dante-enabled products over Ethernet-based networks
- **Dual network and power connectors** allow daisy-chaining of multiple EX endpoints
- **Rotatable mounting tabs** allow for multiple mounting options
- **Low-profile aluminum enclosure** with integrated LED indicators for unobtrusive under-table mounting
- **Simplified software configuration** via ControlSpace Designer software. Supports autodiscovery, auto-routing, and logic presets for microphone LEDs and pushbuttons
- **Optional installation accessories** include a magnetic mounting plate for single-handed under-table mounting, and a microphone extension cable, and a 60 W power supply
- **Power and signal indicators**

## Applications

Designed for a wide range of applications, including:

- Boardrooms
- Medium/large conference rooms
- Courtrooms
- Distance learning
- Auditoriums
- Multi-purpose spaces

# ControlSpace® EX-8ML mic/GPIO Dante™ endpoint



## Technical Specifications

AUDIO INPUTS	
Input Channels	Eight (8) analog, balanced microphone/line level
Connectors	Eight (8) 3.81 mm Euroblock connectors, 7-pin
Phantom Power	+48VDC, software selectable per input
Control GPIO	2 logic outputs (100mA low, 8V open, 10mA @ 2.5V high), 1 logic input (0 to 5V, threshold = 1.6V, 2K pull-up to 5V)
Gain Settings	-0 / +15 / +30 / +45 dB, software selectable
Input Impedance	> 1.8 kΩ at any gain setting
Equivalent Input Noise	-115 dBu (+45 dB gain)
Maximum Input Level	+20 dBu (using -12 dB gain setting)
System THD	< 0.01 % at any gain setting, input signal 3 dB below maximum
Frequency Response	20 Hz – 20 kHz, ± 1 dB

NETWORK	
Connectors	Two (2) RJ-45, one front (supports PoE+), one rear
Audio Over IP	Dante™, Brooklyn II X8

POWER	
Microphone LED power	12 VDC, 400 mA
PoE Class	Class 0 802.3at PoE+ PD compliant
External Connectors	(1) 3.81 mm Euroblock connector, 2-pin, (1) xx 5.5 barrel with positive center
External Power Range	12 VDC, daisy-chainable
Power Consumption	5.6 watts plus 2 watts for Phantom Power

SOFTWARE APPLICATION	
ControlSpace Designer software version 5.0 or later	

GENERAL	
LED Status Indicators	Power LED, eight (8) tri-color signal status for input channels
Digital Conversion	24 kHz / 24-bit
Certifications	FCC Part 15 Class A; UL 60950-1, 2nd edition, 2014-10-14, CAN/CSA C22.2 No. 60950-1-07, 2nd edition, 2014-10, IEC 60950-1:2005 (2nd edition)
Operating Temperature	0 °C - 40 °C (32 °F - 104 °F)
Product Code	772045-0110

## Front Panel

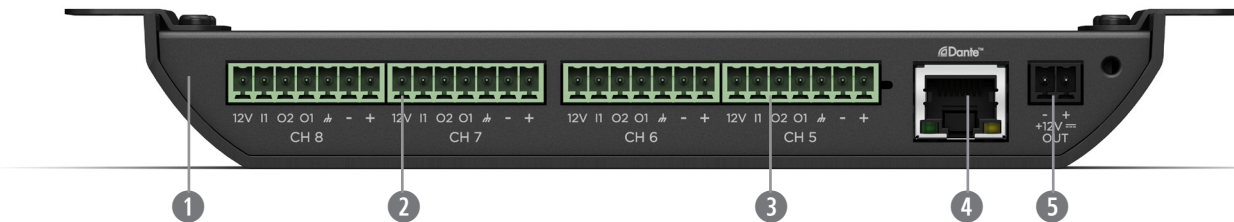


- ❶ **Rotatable Mounting Tabs** - Multiple Mounting Tabs
- ❷ **+12 VDC Connectors** - External DC power supply
- ❸ **Gigabit Network Port** - Supports PoE+, Dante and ControlSpace control

# ControlSpace® EX-8ML mic/GPIO Dante™ endpoint



## Rear Panel

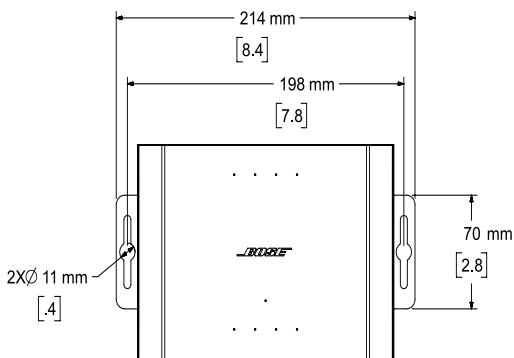
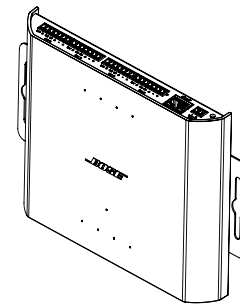


- ❶ **Rugged Metal Enclosure** - Sleek and unobtrusive for under-table use
- ❷ **+12V DC** - Power for microphones
- ❸ **Microphone Analog Inputs (8)** - Provides connection to any conference mic: +48V phantom, 2 GPO and 1 GPI per channel
- ❹ **Dante/Network Connector** - Daisy-chainable Dante or service port
- ❺ **Daisy-Chainable Power Output** - Allows multiple units be to powered via external power supply

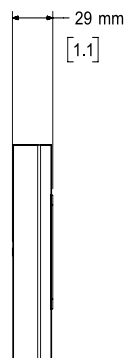
## Mechanical Diagrams



Top View

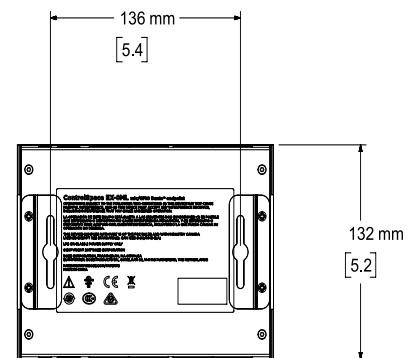


Front View



Right View

DIMENSIONS APPLY TO BOTH SIDES



Rear View

All information subject to change without notice.  
 © 2018 Bose Corporation  
 All trademarks are those of their respective owners.