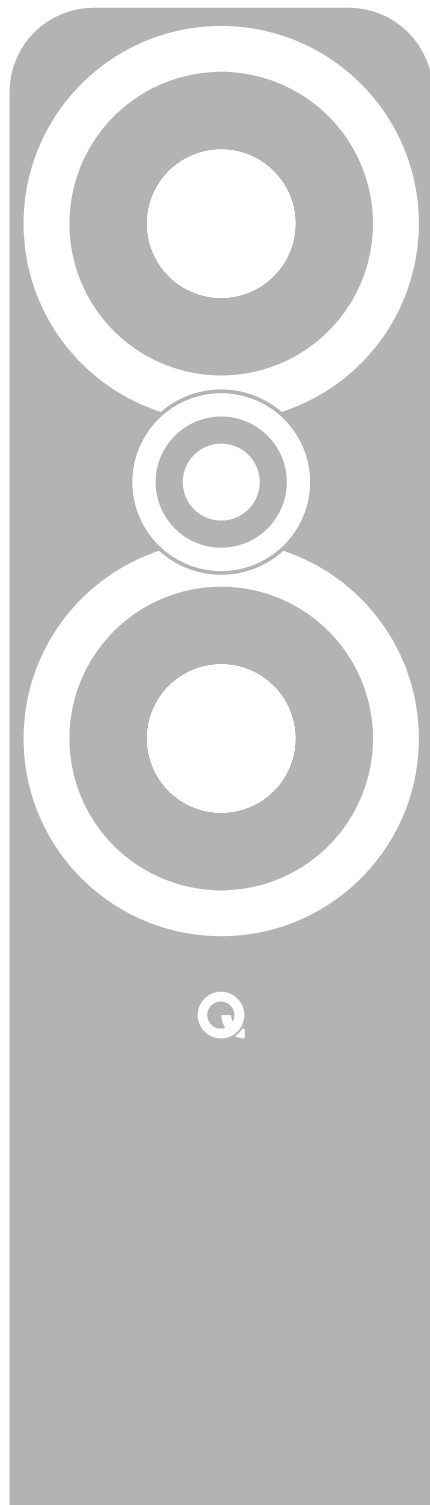




3000i Series

OWNER'S MANUAL

EN	ENGLISH	01
DE	GERMAN	19
ES	ESPAÑOL	37
FR	FRENCH	55
IT	ITALIAN	73
NL	DUTCH	91
PL	POLISH	109
PT	PORTUGUESE	127
RU	RUSSIAN	145
SV	SWEDISH	163
ZH	CHINESE	181



Important Safety Information and Warnings

1. Safety Information and Warnings

Before making any connections to your loudspeakers make sure that all active units in your system are switched off at the mains.

When switching on your sound system or changing input sources, set the main volume control at a low level. Turn up the level gradually.

NEVER play your sound system at full volume. The position of the volume control is deceptive and does not indicate the power level of the system. Using very high volume settings may damage your hearing.

1.1. Instructions

Read and understand these instructions before you use your loudspeakers. If damage is caused by failure to follow these instructions, the warranty will not apply. Please keep these instructions in a safe place.

Read these instructions.

Keep these instructions.

Heed all warnings.

Follow all instructions.

Do not use this apparatus near water.

DO NOT connect your loudspeaker terminals to the mains supply.

Do not install near any heat sources such as radiators, heat registers, stoves, or other apparatus (including amplifiers that produce heat).

Only use attachments/accessories specified by the manufacturer.

Unplug this apparatus during lightning storms or when unused for long periods of time.

2. Unpacking your loudspeakers



Unpack the speakers fully. Lift the speakers from the cartons by holding the cabinets. Do not use the protective bags to lift them.

When manoeuvring loudspeakers, do not drag them across the floor as this may cause damage - lift each speaker before moving it.

Check the loudspeaker carefully. If any items are damaged or missing, report this to your retailer as soon as possible.

Retain the packaging for future transport. If you dispose of the packaging, please do so following all recycling regulations in your area.

3. Installation

- Only use the accessories supplied with the product.
- To prevent injury, this apparatus must be securely mounted onto the floor in accordance with the installation instructions.

- Do not use makeshift stands. Fit the Q Acoustics dedicated stand according to the instructions and using any fixings provided. Your dealer will advise you.

- If you play your loudspeakers without their grilles fitted, be careful to protect the drive units from damage.

- **DO NOT** dismantle the loudspeaker. You will invalidate the warranty.

- Do not connect your loudspeaker terminals to the mains supply.

- Do not expose your loudspeakers to excessive cold, heat, humidity or sunlight.

- The use of this apparatus is indicated for tropical and/or moderate climates.

3.1. Moisture

- To reduce the risk of fire or electric shock, this apparatus should not be exposed to rain, moisture, dripping or splashing.

- Do not use this apparatus near water.

3.2. Servicing

Refer all servicing to qualified service personnel. Servicing is required when the apparatus has been damaged in any way, liquid has been spilled or objects have fallen into the apparatus, the apparatus has been exposed to rain or moisture, does not operate normally, or has been dropped.

4.0. Symbols used on this product

Hazard Warning Symbol



The 'exclamation mark' calls attention to features for which you should read this manual closely to prevent operation and maintenance problems.

CAUTION: To prevent electric shock, match wide blade of plug to wide slot, fully insert.

Waste Electrical and Electronic Equipment Symbol

This symbol indicates that when the unit is to be discarded, it must be separated from other household-type waste and sent to separate collection facilities for recovery and recycling of electrical and electronic equipment.



Please make sure you are familiar with your local rules on the separate collection of electrical and electronic products.

Introduction

Thank you for purchasing Q Acoustics.

This manual is intended to take you through setup and installation and will help provide optimum performance from the product.

Please read the instructions, important safety information and warnings carefully before installation and use, to ensure the safe and satisfactory operation of this product.

The Q Acoustics 3000i series is a range of loudspeakers designed to meet the highest expectations of dedicated 2-channel audiophiles and discerning movie enthusiasts.

The range comprises:

3010i: Compact bookshelf speaker with a 100 mm (4.0 inches) bass driver.

3020i: Bookshelf speaker with a 125 mm (5.0 inches) bass driver.

3030i: Bookshelf speaker with a 165 mm (6.5 inches) bass driver.

3050i: Floorstander with 2 x 165 mm (6.5 inches) bass drivers.

3060S: 150 Watt active subwoofer with a 200 mm (8.0 inches) driver.

3090Ci: Centre channel with 2 x 100 mm (4.0 inches) bass drivers.

In the carton you will find: The loudspeaker/s and this product manual.

In addition the packing for the following models contains:

3050i: Rear stabiliser, spikes and spike covers for each speaker. An Allen key to adjust the spikes once fitted.

3060S: A mains power cord or cords, spikes and spike covers.

Check the product carefully. If any items are damaged or missing, report this to your dealer as soon as possible.

We hope you enjoy the Q Acoustics experience.

Preparation

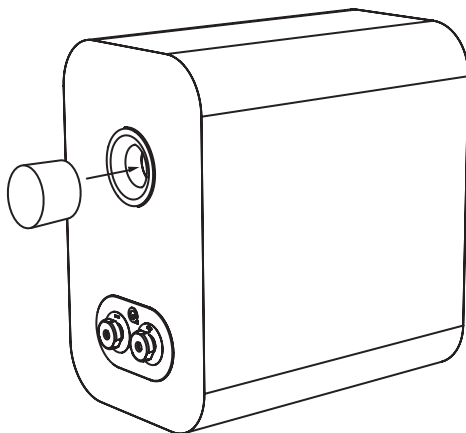


Lift the speakers from the cartons by holding the cabinets. Do not touch the driver units or use the protective bags to lift them. The 3050i and 3060S are heavy - get assistance to lift them if necessary.

Foam Bung

The 3000i series speakers are rear ported and designed to work best with some space behind them i.e. 200mm or so away from a wall. If you position your speakers close to a wall / corner then the foam bungs should be inserted into the rear ports or there could be too much bass.

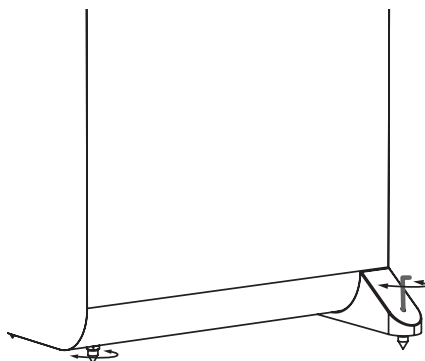
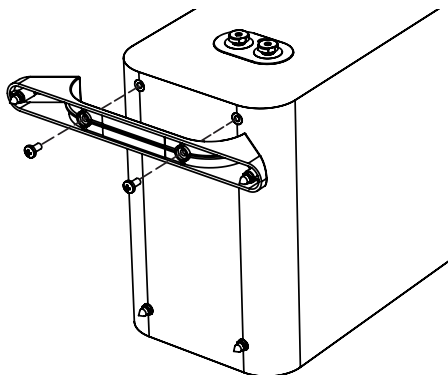
Ensure the bungs are fitted snugly into the port without inserting them too far. You will find the level of bass is reduced but definition and bass extension is increased. Experiment to see what you prefer and try making small changes to the position of the speaker to optimise the final result.



*Spikes are sharp. Exercise care!
Never place a spiked loudspeaker where it can cause damage!
Always move your loudspeakers by lifting them - never drag them!*

3050i - Attach the rear stabiliser

Thread the spikes fitted with locking nuts half way into the base and return the loudspeaker to the upright position. (If you have a wood or stone floor push a spike protector over each spike before turning the speaker upright) When the speaker is the right way up, insert the Allen key into each rear spike from the top and adjust all the spikes in and out until the loudspeaker is level and stable.



Use screws provided to secure feet as shown.

Positioning



All the loudspeakers may be operated close to TV monitors with no ill-effects with the exception of the 3060S which should not be operated within 500mm of TV screens monitors or other magnetically sensitive equipment. Plasma and LCD screens are unaffected.

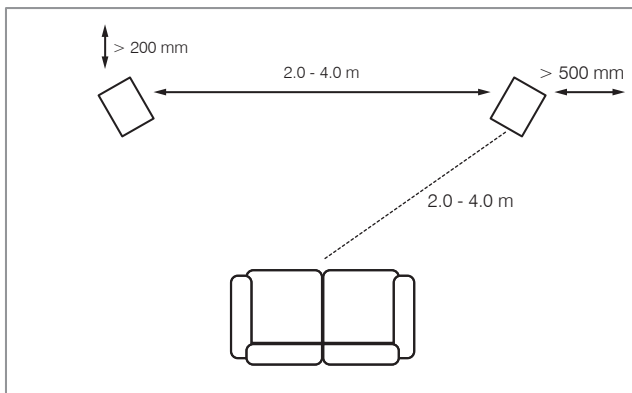
3010i, 3020i and 3030i

The 3010i, 3020i and 3030i are ideally mounted on Q Acoustics floor stands, 3010i and 3020i can also be wall mounted. If you are stand mounting, a simple guide is that the treble unit should be at ear level to a seated listener. Wall mounted speakers may be mounted slightly higher with the speaker angled down. Stand mounted speakers should be treated as floorstanding speakers except that the speaker may be placed a little closer to the back wall. Shelf mounting is also possible.

An optional bracket designed specifically to wall mount the Q Acoustics 3010i, 3020i and 3090Ci is available from your dealer. Floor stands for the 3010i, 3020i and 3030i are also available. Be prepared to experiment to find the best setup for your taste in your particular listening room.

3050i

The 3050i loudspeakers should be positioned at least 200mm from a back wall and 500mm from the side walls. Placing the speakers closer to the wall will increase bass but could cause the sound to boom and lack precision and detail. The speakers should be 2m - 4m apart and central to the seated listener. Turning the speakers slightly inwards will sharpen a stereo image but may cause narrowing of the sound source.



Subwoofer

Bass frequencies are substantially omni directional. Although this means that you can position the subwoofer almost anywhere, the stereo image will still benefit by positioning the subwoofer level with the front loudspeakers and as central to the listening position as possible. This may not be feasible in a multichannel system. If you place the subwoofer close to a wall the bass will be re-enforced therefore in some locations the bass may be boomy and indistinct.

Effects loudspeakers

3090Ci

The 3090Ci is designed to be operated close to a TV screen and central to it. It should be placed immediately above or below the screen. If you have a Plasma or LCD monitor, mount the 3090Ci to the wall or other suitable surface immediately above or below the screen using the Q Acoustics Wall Bracket. If not, consider placing the TV on a cabinet with the 3090Ci on a secure shelf immediately below the TV.

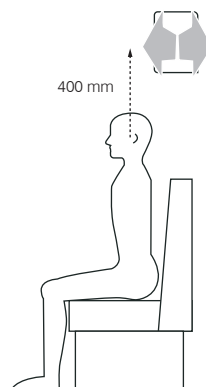


Dolby and the double-D symbol are trade marks of Dolby Laboratories.

Surround Speakers

There are recommendations from Dolby labs for 5.1 effects speakers. Surround speakers should be mounted on either side of the listener, slightly behind the listening position. The speakers should be sited facing inward either mounted on the side walls of the room or if the room is large, on high stands and with their centres above ear level to a seated listener.

For overhead speakers used in multi-channel installations we recommend the Q Acoustics Install range.



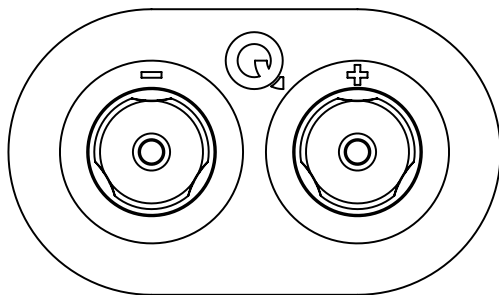
Connections



Before making any connections to your loudspeakers make sure that all active units in your system are switched off at the mains. When switching on your sound system or changing input sources, set the main volume control at a low level. Turn up the level gradually.

Terminals and Connectors

The 3010i, 3020i, 3030i, 3050i and 3090Ci have standard two terminal crossovers.



3010i, 3020i, 3030i, 3050i & 3090Ci

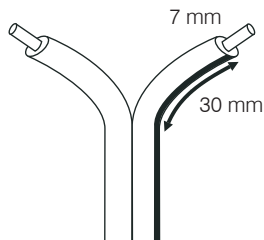
Loudspeaker Cables

Specialist loudspeaker cables will offer a higher standard of reproduction than general purpose 'bell' or 'zip' wire. Use cable with generous amounts of copper for the front and centre channels. Thin cables reduce the bass and restrict the dynamic range. Surround (rear) channels are less critical.

Speaker cable has a stripe or tracer along one core. By convention this is connected to the positive terminals. The cables connecting the amplifier to the front loudspeakers should ideally be the same length. Never join cables - use complete lengths.

Preparing Cables

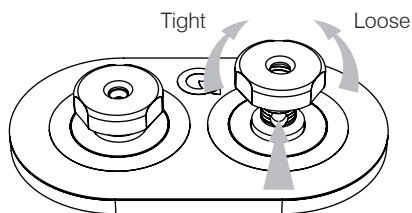
Split the cable to a depth of about 40 mm. Bare the wire to a depth of 10mm and twist the ends to gather any stray wires. Crop the cable leaving 7mm of bare wire exposed.



Connecting a Terminal

Unscrew the terminal anticlockwise to expose the mounting hole in the base of the terminal column.

Insert the bare end of the cable into the hole. Retighten the terminal fully hand tight. Make sure there are no stray wires which could touch adjacent terminals. In the EU it is against safety regulations to use 4mm loudspeaker plugs.

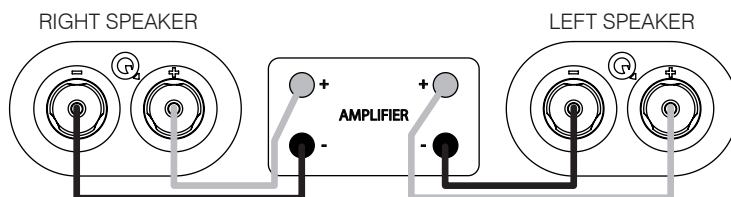


Stereo Connections

Standard Connections

Connect the RED (+) terminal of the RIGHT loudspeaker to the RED, Positive (+) terminal on the RIGHT channel of the amplifier. Connect the BLACK (-) terminal of the loudspeaker to the matching BLACK, Negative (-) terminal of the amplifier. Repeat this procedure for the LEFT channel.

Standard Wiring:



Aftercare

Cabinet Care



Clean cabinets only with a lightly dampened cloth. Do not use solvent based cleaning materials. Never use abrasives of any kind.

The cabinet surfaces will usually only require light dusting. Should an aerosol or other cleaner be used, apply the cleaner onto the cloth first and not directly onto the product. Test a small area first, as some cleaning products may damage the finish. Avoid products that are abrasive, or contain acid or alkaline agents. Do not use any cleaning materials on the drive units and avoid touching them as damage may result.

Grilles

Grilles should only be cleaned using a soft brush when necessary.



If using the Q Acoustics speaker with the grilles removed, remember to replace them if pets or children are present.

Drive Units

Do not touch the drive units as they are easily damaged when exposed.

Warranty

Q Acoustics passive loudspeaker products are warranted free of defects in materials and workmanship for a period of 4 years (1 year for subwoofer) from the date of purchase. During the warranty period Q Acoustics will, at its option, repair or replace any product found to be faulty after inspection by the company or its appointed distributor or agent.

Misuse and fair wear and tear are not covered by warranty.

Goods for repair should in the first instance be returned to the supplying dealer. If this is not possible contact Q Acoustics or their appointed distributor for your area to determine the correct warranty procedure. If possible the original packaging should be used to return the product as damage sustained during transit to the repair centre is not covered by the warranty. The warranty does not in any way affect your legal rights.

Warranty can be extended to 5 years (2 years for subwoofer) by registering your product at www.qacoustics.co.uk/register.

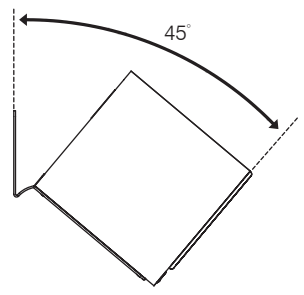
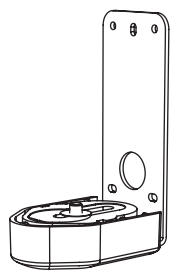
For service information contact: support@qacoustics.co.uk

Q Acoustics
Woodside 2
Dunmow Road
Bishops Stortford
Hertfordshire, UK
CM23 5RG

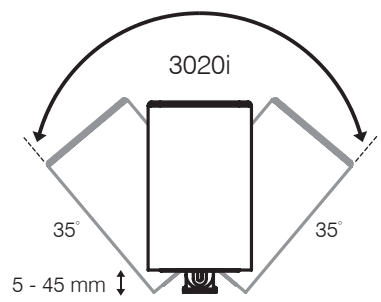
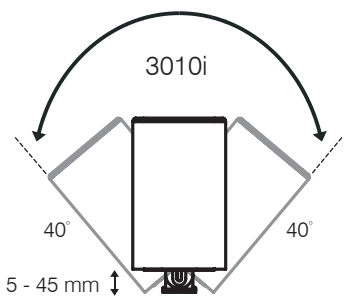
For any additional info not contained within this manual, support questions and/or requests, please visit our on-line Knowledge Base Portal at: www.qacoustics.co.uk/faqs

Accessories

Wall Bracket (Single)
 3010i / 3020i / 3090Ci
 Black and White

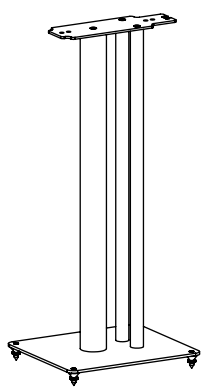


Dimensions (WxHxD): 70 x 159 x 99 mm



Speaker Stand (Pair)

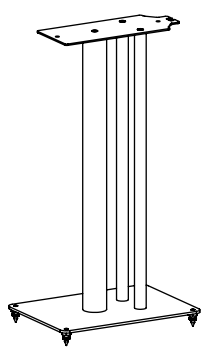
3010i / 3020i
 Black and White



Dimensions (WxHxD):
 250 x 682 x 290 mm

Speaker Stand (Pair)

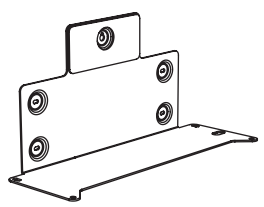
3030i
 Black and White



245 x 635 x 340 mm

Subwoofer Wall Bracket

3060S
 Black



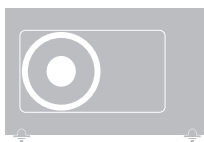
422 x 222 x 163 mm

Specifications



Passive Loudspeakers

Enclosure type:	3010i 2-way reflex	3020i 2-way reflex
Bass unit:	100 mm (4.0 in)	125 mm (5.0 in)
Treble unit:	22 mm (0.9 in)	22 mm (0.9 in)
Frequency response (+/-3 dB, -6 dB):	65 Hz - 30 kHz	64 Hz - 30 kHz
Average impedance:	6 Ω	6 Ω
Minimum impedance:	4 Ω	4 Ω
Sensitivity (2.83v@1m):	86 dB	88 dB
Stereo amplifier power:	15 - 75 W	25 - 75 W
AV receiver power (2 ch. driven):	50 - 125 W	50 - 125 W
Crossover frequency:	2.6 kHz	2.4 kHz
Effective volume:	4.0 L (244 cu in)	6.1 L (372 cu in)
Enclosure dimensions (WxHxD): (inc. grille, terminal and feet)	150 x 253 x 252 mm (5.9 x 10.0 x 10.0 in)	170 x 278 x 282 mm (6.7 x 11.0 x 11.1 in)
Enclosure width:		
Weight (per speaker):	4.1 kg (9.0 lbs)	5.5 kg (12.1 lbs)



Active Subwoofer

Enclosure type:	3060S Infinite baffle
Bass unit:	200 mm (8.0 in)
Amplifier power:	150 W Class-D
Frequency response (+/-3 dB, -6 dB):	35 Hz - 250 Hz
Crossover frequency:	35 Hz - 250 Hz (var.)
Effective volume:	10.6 L (647 cu in)
Enclosure dimensions (WxHxD):	480 x 300 x 150 mm (18.9 x 11.8 x 5.9 in) 324 mm (12.7 in) inc. spikes
Weight:	8.5 kg (18.7 lbs)

**3030i**

2-way reflex

165 mm (6.5 in)

22 mm (0.9 in)

46 Hz - 30 kHz

6 Ω

4 Ω

88 dB

25 - 75 W

50 - 145 W

2.4 kHz

12.5 L (763 cu in)

200 x 325 x 329 mm

(7.9 x 12.8 x 13.0 in)

6.4 kg (14.1 lbs)

**3050i**

2-way reflex

2 x 165 mm (6.5 in)

22 mm (0.9 in)

44 Hz - 30 kHz

6 Ω

4 Ω

91 dB

25 - 180 W

50 - 165 W

2.5 kHz

32.4 L (1977 cu in)

310 x 1020 x 310 mm

(12.2 x 40.1 x 12.2 in)

200 mm (7.9 in)

17.8 kg (39.2 lbs)

**3090Ci**

2-way reflex

2 x 100 mm (4.0 in)

22 mm (0.9 in)

75 Hz - 30 kHz

6 Ω

4 Ω

89 dB

25 - 100 W

50 - 165 W

2.7 kHz

6.6 L (403 cu in)

430 x 152 x 216 mm

(16.9 x 6.0 x 8.5 in)

6.0 kg (13.2 lbs)



ACOUSTICS

Q A C O U S T I C S . C O . U K

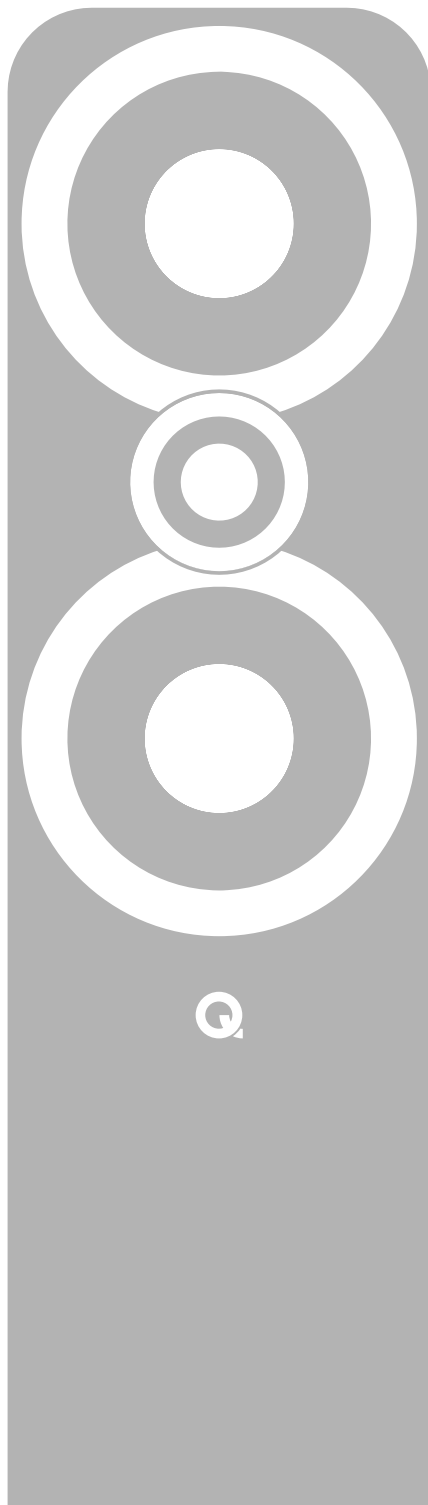
Our policy is one of continuous product improvement.
We reserve the right to change the designs and specifications without notice.
This document contains information that is subject to change without notice



3000i Series

Benutzerhandbuch

EN	ENGLISH	01
DE	DEUTSCH	19
ES	ESPAÑOL	37
FR	FRENCH	55
IT	ITALIAN	73
NL	DUTCH	91
PL	POLISH	109
PT	PORTUGUESE	127
RU	RUSSIAN	145
SV	SWEDISH	163
ZH	CHINESE	181



Wichtige Sicherheits- und Warnhinweise

1. Sicherheits- und Warnhinweise

Bevor Sie Ihre Lautsprecher anschließen, vergewissern Sie sich, dass alle aktiven Einheiten Ihres Systems vom Netz getrennt sind.

Stellen Sie beim Einschalten Ihres Soundsystems oder beim Wechseln der Eingangsquellen eine niedrige Lautstärke ein. Erhöhen Sie die Lautstärke allmählich.

Betreiben Sie Ihr Soundsystem **NIEMALS** bei voller Lautstärke. Die Position des Lautstärkereglers spiegelt nicht das eigentliche Leistungsniveau des Systems wider. Das Hören bei sehr hoher Lautstärke kann Ihr Gehör schädigen.

1.1. Anleitung

Lesen und befolgen Sie diese Anleitung, bevor Sie Ihre Lautsprecher benutzen. Schäden infolge der Nichtbeachtung dieser Anleitung fallen nicht unter die Garantie. Diese Anleitung bitte an einem sicheren Platz aufbewahren.

Lesen Sie diese Anleitung durch.
Bewahren Sie diese Anleitung auf.
Beachten Sie alle Sicherheitshinweise.
Befolgen Sie alle Anweisungen.
Verwenden Sie dieses Gerät nicht in der Nähe von Wasser.

Schließen Sie die Lautsprecheranschlussklemmen NICHT an das Stromnetz an.

Stellen Sie das Gerät nicht in der Nähe von Wärmequellen wie Heizkörpern, Heizregistern, Öfen oder anderen wärmeerzeugenden Geräten (einschließlich Verstärkern) auf.

Verwenden Sie ausschließlich das vom Hersteller angegebene Zubehör.

Trennen Sie das Gerät bei einem Gewitter oder bei längerer Nichtverwendung vom Netz.

2. Auspacken der Lautsprecher



Packen Sie die Lautsprecher vollständig aus. Heben Sie die Lautsprecher aus den Kartons. Halten Sie sie dabei am Gehäuse fest und heben Sie sie nicht an den Schutzhüllen an.

Schleifen Sie die Lautsprecher nicht über den Boden, da sie dadurch beschädigt werden können. Heben Sie jeden Lautsprecher an, bevor

Sie ihn bewegen.

Prüfen Sie die Lautsprecher sorgfältig. Teilen Sie es Ihrem Händler unverzüglich mit, wenn Teile beschädigt sind oder fehlen

Bewahren Sie die Verpackung für zukünftige Transporte auf. Beachten Sie bei einer Entsorgung der Verpackung die örtlichen Bestimmungen zur Wiederverwertung.

3. Installation

- Benutzen Sie nur das mit dem Produkt mitgelieferte Zubehör.
- Um Verletzungen zu vermeiden, muss dieses Gerät entsprechend der Installationsanleitung sicher am Boden befestigt werden.
- Verwenden Sie keine behelfsmäßigen Ständer. Montieren Sie den speziellen Ständer von Q Acoustics entsprechend der Anleitung und unter Verwendung der mitgelieferten Befestigungsmittel. Ihr Händler berät Sie hierzu gern.
- Wenn Sie Ihre Lautsprecher ohne Gitter nutzen, achten Sie darauf, dass die Schallwandler vor Beschädigungen geschützt sind.
- Bauen Sie die Lautsprecher **NICHT** auseinander. Dadurch erlischt die Garantie.
- Schließen Sie die Lautsprecheranschlussklemmen **NICHT** an das Stromnetz an.
- Setzen Sie Ihre Lautsprecher nicht übermäßiger Kälte, Hitze, Feuchtigkeit oder dem Sonnenlicht aus.
- Dieses Gerät ist für den Gebrauch in tropischem oder gemäßigttem Klima vorgesehen.

3.1. Feuchtigkeit

- Um das Risiko von Feuer und elektrischem Schlag zu verringern, darf dieses Gerät nicht Regen, Feuchtigkeit und Tropf- oder Spritzwasser ausgesetzt werden.
- Benutzen Sie dieses Gerät nicht in der Nähe von Wasser.

3.2. Wartung

Wartungsarbeiten nur von qualifiziertem Fachpersonal durchführen lassen. Eine Wartung ist dann erforderlich, wenn das Gerät in irgendeiner Weise beschädigt wurde, Flüssigkeit

oder Gegenstände in das Gerät gelangt sind, das Gerät Regen oder Feuchtigkeit ausgesetzt war, nicht normal funktioniert oder heruntergefallen ist

4.0. Symbole, die auf diesem Produkt verwendet werden.



Warnzeichen

Das „Ausrufezeichen“ weist auf Funktionen hin, für die Sie die Gebrauchsanleitung aufmerksam lesen sollten, um Bedienungs- und Wartungsfehler zu vermeiden.

Vorsicht: Um einen Stromschlag zu vermeiden, stecken Sie den breiten Kontakt des Steckers in den breiten Schlitz der Steckdose, stecken Sie den Stecker vollständig ein.

Symbol für Elektro- und Elektronik-Altgeräte

Dieses Symbol zeigt an, dass das Gerät nicht mit dem Haushaltsmüll entsorgt werden darf, sondern an eine entsprechende Sammelstelle zur Wiederverwertung von Elektro- und Elektronik-Altgeräten abgegeben werden muss.



Bitte stellen Sie sicher, dass Sie mit Ihren örtlichen Bestimmungen zur Entsorgung von Elektro- und Elektronik-Geräten vertraut sind.

Einführung

Vielen Dank, dass Sie sich für Q Acoustics entschieden haben. Dieses Handbuch soll Sie durch die Einrichtung und Installation des Geräts führen und hilft Ihnen dabei, die optimale Leistung Ihrer Lautsprecher zu erreichen.

Bitte lesen Sie vor der Einrichtung und Verwendung diese Anleitung sowie die wichtigen Sicherheits- und Warnhinweise aufmerksam durch, um einen sicheren und zufriedenstellenden Betrieb dieses Produkts zu gewährleisten.

Q Acoustics 3000i ist eine Lautsprecherreihe, die speziell für die hohen Anforderungen passionierter Zweikanalton-Musikliebhaber und anspruchsvoller Filmenthusiasten entwickelt wurde.

Die Serie umfasst die folgenden Modelle:

3010i: Kompakte Regallautsprecher mit einem 100-mm-Tieftöner (4,0 Zoll)

3020i: Regallautsprecher mit einem 125-mm-Tieftöner (5,0 Zoll)

3030i: Regallautsprecher mit einem 165-mm-Tieftöner (6,5 Zoll)

3050i: Standlautsprecher mit zwei 165-mm-Tieftönern (6,5 Zoll)

3060S: Aktiv-Subwoofer mit 150 Watt und einem 200-mm-Schallwandler (8,0 Zoll)

3090Ci: Centerlautsprecher mit zwei 100-mm-Tieftönern (4,0 Zoll)

Der Lieferumfang umfasst: den/die Lautsprecher und dieses Produkthandbuch.

Darüber hinaus umfasst der Lieferumfang für die folgenden Modelle:

3050i: für jeden der Lautsprecher Rückstabilisator, Stifte und Schutzkappen für die Stifte, Inbus-Schlüssel zum Einstellen der Stifte.

3060S: Netzkabel, Stifte und Schutzkappen für die Stifte

Kontrollieren Sie das Produkt sorgfältig. Teilen Sie es Ihrem Händler unverzüglich mit, wenn Teile beschädigt sind oder fehlen.

Wir wünschen Ihnen viel Freude mit Q Acoustics.

Vorbereitung

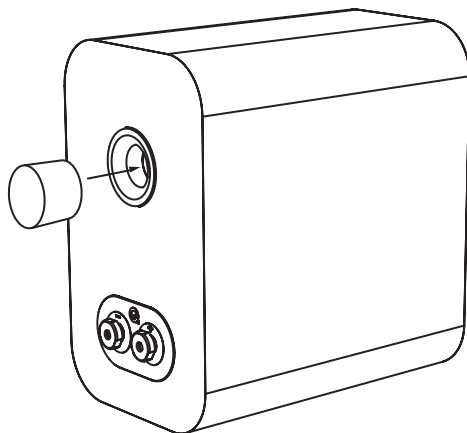


Heben Sie die Lautsprecher aus den Kartons. Halten Sie sie dabei am Gehäuse fest, berühren Sie nicht die Schallwandler und heben Sie die Lautsprecher nicht an den Schutzhüllen an. Die Modelle 3050i und 3060S sind schwer. Holen Sie sich erforderlichenfalls Hilfe.

Schaumstoffstöpsel

Die Lautsprecher der Serie 3000i haben einen Reflexkanal auf der Rückseite und funktionieren daher am besten, wenn beim Aufstellen vor einer Wand ein Abstand von ca. 200 mm zwischen der Lautsprecherrückseite und der Wand eingehalten wird. Wenn Sie Ihre Lautsprecher näher an einer Wand/Ecke aufstellen, sollten sie die Schaumstoffstöpsel in die Reflexkanäle stecken, um eine übermäßige Bassstärke zu verhindern.

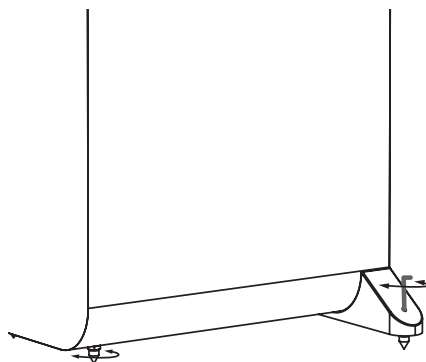
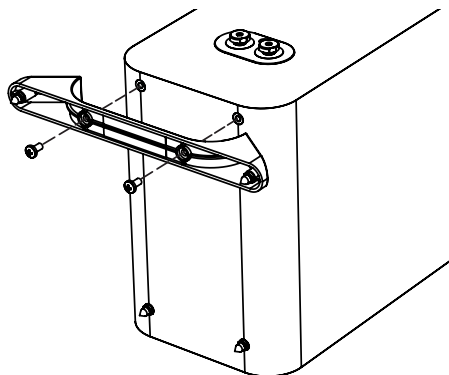
Stellen Sie sicher, dass die Stöpsel die Kanäle dicht verschließen, ohne sie jedoch zu weit hineinzuschieben. Sie werden feststellen, dass der Basspegel reduziert wurde, die Tonschärfe und Basswiedergabe jedoch besser sind. Experimentieren Sie mit kleinen Positionsänderungen, um die Lautsprecheraufstellung und das Klangerlebnis zu optimieren.



Die Stifte sind spitz. Gehen Sie mit Vorsicht vor.
Stellen Sie einen Lautsprecher mit Stiften niemals dort auf, wo er Beschädigungen verursachen kann.
Heben Sie die Lautsprecher beim Transport immer an, schleifen Sie sie niemals über den Boden.

3050i – Anbringen des rückwärtigen Stabilisators

Schieben Sie die Stifte mit den Sicherungsmuttern bis zur Hälfte in den Sockel und stellen Sie den Lautsprecher wieder aufrecht auf. (Falls Sie einen Holz- oder Steinfußboden haben, stecken Sie vor dem Aufrichten des Lautsprechers die Schutzkappen auf die Stifte.) Schieben Sie bei aufrecht stehendem Lautsprecher den Inbus-Schlüssel von oben in die hinteren Stifte und stellen Sie sie so ein, dass der Lautsprecher eben und stabil steht.



Befestigen Sie die FüÙe mit den mitgelieferten Schrauben, wie abgebildet.

Aufstellung



Alle Lautsprecher mit Ausnahme des 3060S können ohne nachteilige Auswirkungen in der Nähe von TV-Bildschirmen betrieben werden. Der 3060S sollte nur in einem Abstand von mindestens 500 mm von TV-Bildschirmen oder anderen magnetempfindlichen Geräten betrieben werden. Es kommt zu keinen Auswirkungen auf Plasma- und LCD-Bildschirme.

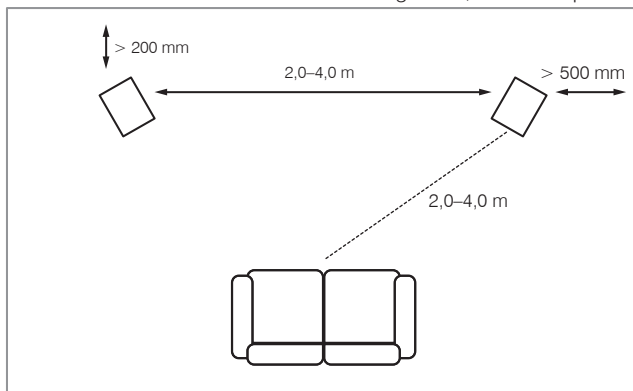
3010i, 3020i und 3030i

Die Modelle 3010i, 3020i und 3030i sollten am besten auf Q-Acoustics-Bodenständern, 3010i und 3020i an der Wand montiert werden. Die einfache Regel bei der Verwendung von Bodenständern ist, dass die Hochtönereinheit sich auf Ohrhöhe eines sitzenden Zuhörers befinden sollte. An der Wand angebrachte Lautsprecher können etwas höher montiert werden. Die Lautsprecher sollten dabei nach unten neigen. Auf Ständern montierte Lautsprecher sollten in der gleichen Weise wie Bodenlautsprecher behandelt werden, können jedoch etwas näher an die Wand gestellt werden. Die Aufstellung in einem Regal ist ebenfalls möglich.

Bei Ihrem Fachhändler erhalten Sie auf Wunsch speziell zum Anbringen der Modelle Q Acoustics 3010i, 3020i und 3090Ci entwickelte Wandhalter. Bodenständer für die Modelle 3010i, 3020i und 3030i sind ebenfalls erhältlich. Experimentieren Sie mit unterschiedlichen Aufstellungsorten, um die optimale Position der Lautsprecher für Ihre Umgebung zu finden.

3050i

Die Lautsprecher 3050i sollten hinten mindestens 200 mm und seitlich mindestens 500 mm Abstand zu einer Wand haben. Eine Aufstellung nah an der Wand würde zwar den Bass verstärken, könnte jedoch zu Dröhnen und einer Minderung der Klangqualität führen. Die Lautsprecher sollten in einem Abstand von 2–4 m zueinander und zentriert



auf einen sitzenden Zuhörer aufgestellt werden. Eine leicht nach innen gerichtete Aufstellung sorgt für schärferen Stereoklang, führt jedoch zu einer Einengung der Klangquelle.

Subwoofer

Bassfrequenzen sind im Grunde omnidirektional. Sie können daher den Subwoofer zwar praktisch überall aufstellen, jedoch erreichen Sie die beste Stereowiedergabe bei einem möglichst zentralen Standort in einer Linie mit den Frontlautsprechern. Bei einem Mehrkanalsystem ist dies unter Umständen nicht umsetzbar. Bei der Aufstellung dicht vor einer Wand wird der Bass verstärkt und klingt deshalb an einigen Standorten dröhnend und undeutlich.

Effekt-Lautsprecher

3090Ci

Das Modell 3090Ci wurde speziell für den Betrieb in direkter Nähe eines TV-Bildschirms entwickelt. Es sollte unmittelbar über oder unter dem Bildschirm aufgestellt werden. Falls Sie einen Plasma- oder LCD-Monitor haben, sollten Sie den 3090Ci mithilfe einer Q-Acoustics-Wandhalterung an der Wand oder einer anderen geeigneten Fläche unmittelbar unter oder über dem Monitor anbringen. Falls dies nicht möglich ist, erwägen Sie eine Aufstellung des TV-Geräts auf einem TV-Schrank mit dem 3090Ci auf einem Regalfach unmittelbar unter dem Bildschirm.

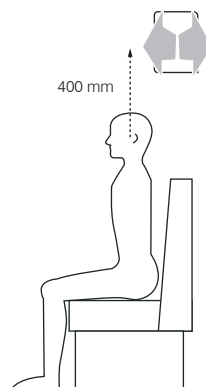


Dolby und das Doppel-D-Symbol sind eingetragene Warenzeichen der Dolby Laboratories.

Surround-Lautsprecher

Für 5.1-Effekt-Lautsprecher gibt es einige Empfehlungen der Dolby Laboratories. Surround-Lautsprecher sollten zu beiden Seiten des Zuhörers und hinter der Hörposition angebracht werden. Die Lautsprecher sollten nach innen gerichtet an den Seitenwänden oder, bei großen Räumen, auf hohen Ständern angebracht werden. Die Mitte der Lautsprecher sollte dabei über der Ohrhöhe eines sitzenden Zuhörers liegen.

Für Überkopflautsprecher in Mehrkanalinstallationen empfehlen wir die Serie Q Acoustics Install.



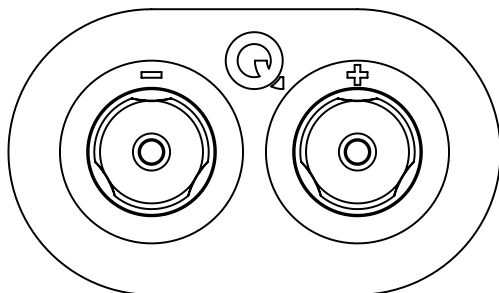
Anschlüsse



Bevor Sie Ihre Lautsprecher anschließen, vergewissern Sie sich, dass alle aktiven Einheiten Ihres Systems vom Netz getrennt sind. Stellen Sie beim Einschalten Ihres Soundsystems oder beim Wechseln der Eingangsquellen eine niedrige Lautstärke ein. Erhöhen Sie die Lautstärke allmählich.

Anschlussbuchsen und Verbindungen

Die Modelle 3010i, 3020i, 3030i, 3050i und 3090Ci verfügen über standardmäßige Crossover mit zwei Anschlussklemmen.



3010i, 3020i, 3030i, 3050i und 3090Ci

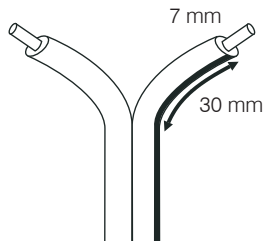
Lautsprecherkabel

Spezielle Lautsprecherkabel bieten eine höhere Wiedergabequalität als Allzweckkabel. Verwenden Sie für Front- und Centerlautsprecher Kabel mit einem möglichst hohen Kupferanteil. Dünne Kabel reduzieren die Bassstärke und schränken den Dynamikbereich ein. Surround- (hintere) Kanäle sind weniger anspruchsvoll.

Lautsprecherkabel weisen entlang einer Kabelseele einen Kennfaden auf. Üblicherweise wird diese mit den positiven Anschlussklemmen verbunden. Die Kabel vom Verstärker zu den Frontlautsprechern sollten nach Möglichkeit gleich lang sein. Verbinden Sie niemals Kabelstücke miteinander, verwenden Sie stets Längen in einem Stück.

Vorbereitung der Kabel

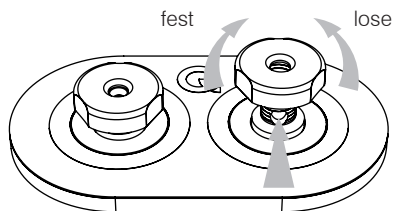
Trennen Sie das Kabelende über eine Länge von ca. 40 mm. Entfernen Sie von den äußersten 10 mm des Kabels die Isolierung und verdrehen Sie die Enden, damit keine losen Drähte herausstehen. Kappen Sie das Kabel, sodass 7 mm des blanken Drahts übrigbleiben.



Anschließen einer Anschlussklemme

Lösen Sie die Anschlussklemme gegen den Uhrzeigersinn, bis das Befestigungsöhr am Ende der Anschlussschraube sichtbar wird.

Schieben Sie das blanke Kabelende in das Ohr. Ziehen Sie die Anschlussklemme wieder handfest an. Vergewissern Sie sich, dass keine losen Drähte herausstehen, die benachbarte Klemmen berühren könnten. Die Sicherheitsvorschriften der EU untersagen die Verwendung von 4-mm-Lautsprechersteckern.

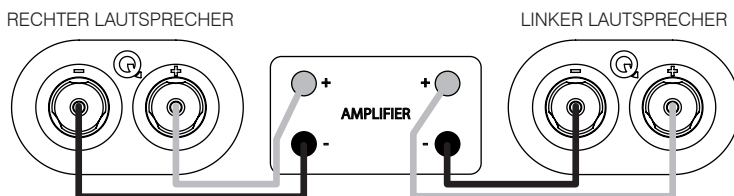


Stereoanschlüsse

Standardanschlüsse

Verbinden Sie die ROTE (+) Anschlussklemme des RECHTEN Lautsprechers mit der ROTEN (+) Anschlussklemme des RECHTEN Verstärkerkanals. Verbinden Sie die SCHWARZE (-) Anschlussklemme des Lautsprechers mit der entsprechenden SCHWARZEN, negativen (-) Anschlussklemme des Verstärkers. Wiederholen Sie diesen Vorgang für den LINKEN Kanal.

Standardverkabelung:



Nachsorge

Gehäusepflege



Das Gehäuse nur mit einem leicht angefeuchteten Tuch abwischen. Keine lösungsmittelbasierten Reinigungsmittel verwenden. Niemals Scheuermittel verwenden.

Die Gehäuseoberfläche erfordert normalerweise nur ein leichtes Abstauben. Wenn Sie ein Spray oder einen anderen Reiniger verwenden, benetzen Sie damit zuerst das Reinigungstuch und nicht direkt das Gerät. Testen Sie zuerst eine kleine Stelle, da einige Reinigungsmittel den Lack beschädigen könnten. Benutzen Sie keine Scheuermittel oder Mittel, die Säuren oder Basen enthalten. Vermeiden Sie den Kontakt von Reinigungsmitteln mit den Schallwandlern und berühren Sie diese möglichst nicht, um Schäden vorzubeugen.

Gitter

Die Gitter sollten nur bei Bedarf mit einer weichen Bürste gereinigt werden.



Wenn Sie Ihren Lautsprecher von Q Acoustics ohne die Gitter benutzen, denken Sie bitte daran, diese einzusetzen, wenn Kinder oder Haustiere anwesend sind.

Schallwandler

Die Schallwandler sollten nach Möglichkeit nicht berührt werden, da sie im freiliegenden Zustand leicht beschädigt werden können.

Garantie

Auf die passiven Lautsprecherprodukte von Q Acoustics besteht eine Garantie für Fehlerfreiheit von Material und Verarbeitung für einen Zeitraum von 4 Jahren (1 Jahr für Subwoofer) ab dem Kaufdatum. Während der Garantiezeit wird Q Acoustics fehlerhafte Produkte nach einer Prüfung durch das Unternehmen oder einen benannten Händler oder Vertreter nach eigenem Ermessen reparieren oder ersetzen.

Unsachgemäßer Gebrauch und normaler Verschleiß werden von dieser Garantie nicht erfasst.

Ware zur Reparatur sollte in erster Linie an den ursprünglichen Händler zurückgegeben werden. Wenn dies nicht möglich ist, wenden Sie sich an Q Acoustics oder einen zugelassenen Händler in Ihrer Region, um die richtige Garantieabwicklung zu bestimmen. Wenn möglich sollte zur Rücksendung des Produkts die Originalverpackung verwendet werden, da Schäden, die während des Transports in die Reparaturwerkstatt entstehen, nicht unter die Garantie fallen. Ihre gesetzlichen Rechte werden in keiner Weise von dieser Garantie berührt.

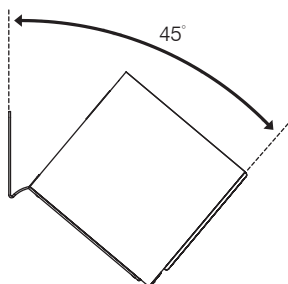
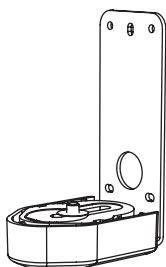
Die Garantie kann auf 5 Jahre (2 Jahre für Subwoofer) verlängert werden, wenn Sie Ihr Produkt unter der folgenden Internetadresse registrieren:
www.qacoustics.co.uk/register.

Für Serviceinformationen in anderen Ländern senden Sie bitte eine E-Mail an:
support@qacoustics.co.uk.

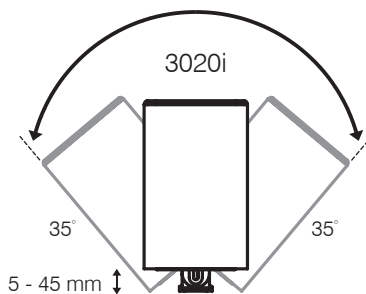
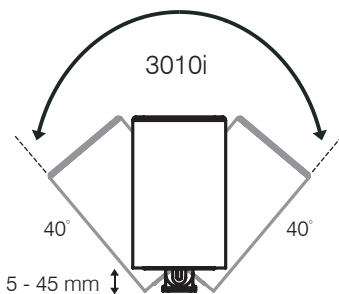
Q Acoustics
Woodside 2
Dunmow Road
Bishops Stortford
Hertfordshire, UK
CM23 5RG

Zubehör

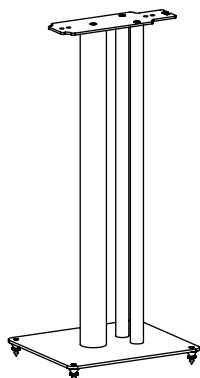
Wandhalterung (einfach) für
3010i/3020i/3090Ci
schwarz und weiß



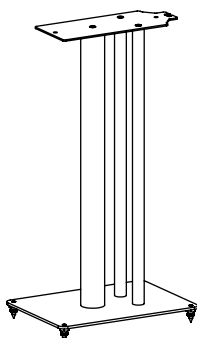
Gehäuseabmessungen (B×H×T): 70 x 159 x 99 mm



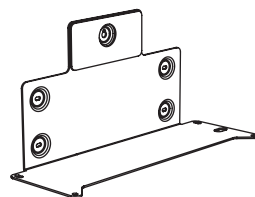
Lautsprecherständer
(Paar) für
3010i/3020i
schwarz und weiß



Lautsprecherständer
(Paar) für
3030i
schwarz und weiß



Wandhalterung
für Subwoofer
3060S
schwarz



Gehäuseabmessungen (B×H×T):
250 x 682 x 290 mm

245 x 635 x 340 mm

422 x 222 x 163 mm

Passive Lautsprecher

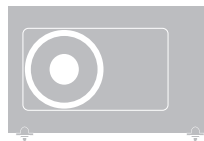
Gehäusetyp:
 Tieftöner:
 Hochtöner:
 Frequenzgang (+/-3 dB, -6 dB):
 Durchschnittliche Impedanz:
 Minimale Impedanz:
 Empfindlichkeit (2,83 V/1 m):
 Leistung des Stereoverstärkers:
 Leistung des AV-Empfängers (2-Kanal):
 Crossover-Frequenz:
 Effektives Volumen:
 Gehäuseabmessungen (B×H×T):
 (inkl. Gitter, Anschluss und FüÙe)
 Gehäusebreite:
 Gewicht (pro Sprecher):



3010i
 2-Wege-Reflexgehäuse
 100 mm (4.0 in)
 22 mm (0.9 in)
 65 Hz - 30 kHz
 6 Ω
 4 Ω
 86 dB
 15 - 75 W
 50 - 125 W
 2.6 kHz
 4.0 L (244 cu in)
 150 x 253 x 252 mm
 (5.9 x 10.0 x 10.0 in)
 4.1 kg (9.0 lbs)



3020i
 2-Wege-Reflexgehäuse
 125 mm (5.0 in)
 22 mm (0.9 in)
 64 Hz - 30 kHz
 6 Ω
 4 Ω
 88 dB
 25 - 75 W
 50 - 125 W
 2.4 kHz
 6.1 L (372 cu in)
 170 x 278 x 282 mm
 (6.7 x 11.0 x 11.1 in)
 5.5 kg (12.1 lbs)



Aktiv-Subwoofer

Gehäusetyp:
 Tieftöner:
 Verstärkerleistung:
 Frequenzgang (+/-3 dB, -6 dB):
 Übergangsfrequenz:
 Effektives Volumen:
 Gehäuseabmessungen (B×H×T):
 Gewicht:

3060S
 unendliche Schallwand
 200 mm (8.0 in)
 150 W Class-D
 35 Hz - 250 Hz
 35 Hz - 250 Hz (var.)
 10.6 L (647 cu in)
 480 x 300 x 150 mm (18.9 x 11.8 x 5.9 in)
 324 mm (12.7 in) enthalten Spikes
 8.5 kg (18.7 lbs)

**3030i**

2-Wege-Reflexgehäuse

165 mm (6.5 in)

22 mm (0.9 in)

46 Hz - 30 kHz

6 Ω

4 Ω

88 dB

25 - 75 W

50 - 145 W

2.4 kHz

12.5 L (763 cu in)

200 x 325 x 329 mm

(7.9 x 12.8 x 13.0 in)

6.4 kg (14.1 lbs)

**3050i**

2-Wege-Reflexgehäuse

2 x 165 mm (6.5 in)

22 mm (0.9 in)

44 Hz - 30 kHz

6 Ω

4 Ω

91 dB

25 - 180 W

50 - 165 W

2.5 kHz

32.4 L (1977 cu in)

310 x 1020 x 310 mm

(12.2 x 40.1 x 12.2 in)

200 mm (7.9 in)

17.8 kg (39.2 lbs)

**3090Ci**

2-Wege-Reflexgehäuse

2 x 100 mm (4.0 in)

22 mm (0.9 in)

75 Hz - 30 kHz

6 Ω

4 Ω

89 dB

25 - 100 W

50 - 165 W

2.7 kHz

6.6 L (403 cu in)

430 x 152 x 216 mm

(16.9 x 6.0 x 8.5 in)

6.0 kg (13.2 lbs)



ACOUSTICS

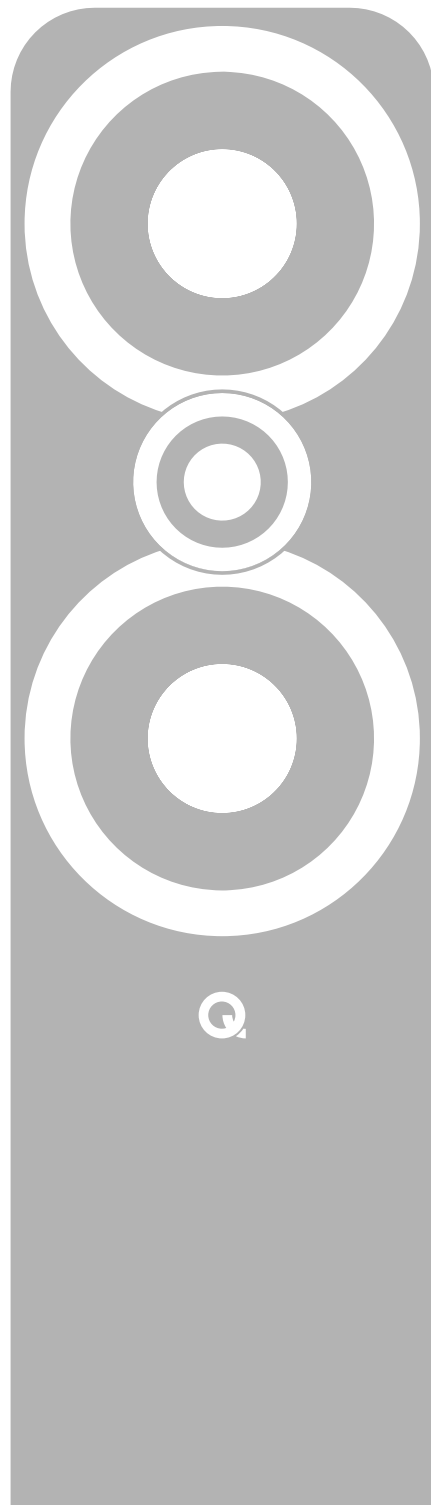
QACOUSTICS.CO.UK

Wir verfolgen eine Politik der ständigen Produktverbesserung.
Wir behalten uns das Recht vor, das Design und die Spezifikationen ohne Benachrichtigungen zu verändern.
Dieses Dokument beinhaltet Informationen die ohne Benachrichtigungen geändert werden können.



Serie 3000i
MANUAL DEL USUARIO

EN	ENGLISH	01
DE	GERMAN	19
ES	ESPAÑOL	37
FR	FRENCH	55
IT	ITALIAN	73
NL	DUTCH	91
PL	POLISH	109
PT	PORTUGUESE	127
RU	RUSSIAN	145
SV	SWEDISH	163
ZH	CHINESE	181



Información importante de seguridad y advertencias

1. Información de seguridad y advertencias

Antes de proceder con cualquier conexión en los altavoces, asegúrese de que todas las unidades activas en su sistema estén desconectadas de la fuente de alimentación principal.

Al encender su sistema de sonido o cambiar las fuentes de entrada, configure el control de volumen principal a un nivel bajo. Aumente el nivel de forma gradual.

NUNCA utilice el sistema de sonido con el nivel de volumen máximo. La posición del control de volumen es engañosa y no indica el nivel de potencia real del sistema. Utilizar el sistema con un nivel de volumen muy alto puede dañar el oído.

1.1. Instrucciones

Lea y comprenda estas instrucciones antes de utilizar los altavoces por primera vez. En caso de que se produzcan fallos causados por el incumplimiento de las presentes instrucciones, la garantía no cubrirá los daños causados. Por favor, guarde estas instrucciones en un lugar seguro.

Lea estas instrucciones.

Conserve estas instrucciones.

Preste atención a todas las advertencias.

Siga todas las instrucciones.

No utilice este aparato cerca del agua.

NO conecte los terminales de su altavoz a la fuente de alimentación principal.

No instale la unidad cerca de fuentes de calor tales como radiadores, calefactores, estufas u otros aparatos (incluyendo amplificadores que produzcan calor).

Utilice solamente accesorios/complementos aprobados por el fabricante.



Desenchufe la unidad durante las tormentas eléctricas o cuando no lo vaya a utilizar durante un período de tiempo prolongado.

2. Desembalaje de los altavoces

Desembale los altavoces por completo. Levante los altavoces de los cartones de embalaje sujetando la estructura. No utilice las bolsas de protección para levantarlos.

Cuando manipule los altavoces, no los arrastre

por el suelo, ya que podría causarles daños, levante cada altavoz antes de moverlo.

Revise detenidamente los altavoces. Si hubiese algún daño o faltase algún elemento, comuníquelo lo antes posible al distribuidor.

Conserve el embalaje para transportar los altavoces en el futuro. Cuando deseche el material de embalaje, hágalo siguiendo las normativas locales de reciclaje vigentes en su región.

3. Instalación

- Utilice solamente los accesorios proporcionados con el producto.

- Para evitar daños, debe instalar de forma segura los altavoces en el suelo, siguiendo las indicaciones proporcionadas en las instrucciones de instalación.

- No utilice soportes provisionales. Monte el soporte dedicado de Q Acoustics según las instrucciones y usando las piezas de fijación provistas. Recuerde que su distribuidor puede ayudarle.

- Si utiliza los altavoces sin las rejillas instaladas, tenga cuidado y proteja los controladores ante posibles daños.

- **NO** desmonte nunca los altavoces. Si lo hace, anulará la garantía.

- No conecte los terminales de altavoz a la red eléctrica.

- No exponga sus altavoces a frío excesivo, calor, humedad o luz solar.

- La unidad se ha diseñado para ser utilizada en climas tropicales y moderados.

3.1. Humedad

- Para reducir el riesgo de descarga eléctrica e incendio, no exponga la unidad a lluvia, humedad, gotas de líquido o salpicaduras.

- No utilice este aparato cerca del agua.

3.2. Reparaciones

La unidad debe ser reparada solamente por personal técnico cualificado. Debe reparar la unidad cuando presente algún tipo de daño, cuando haya entrado en contacto con líquido o haya caído algún objeto en su interior, cuando haya quedado expuesta a la lluvia o humedad, no funcione con normalidad o haya caído.

4.0. Símbolos utilizados en este producto

Símbolo de advertencia de peligro



El signo de exclamación indica la existencia de características que debe leer detenidamente en este manual para evitar problemas de funcionamiento y mantenimiento.

PRECAUCIÓN: Para evitar descargas eléctricas, conecte la clavija ancha del enchufe en la toma ancha correspondiente de la pared y enchufe por completo.

Símbolo de residuos de equipos eléctricos y electrónicos

Este símbolo indica que a la hora de desechar la unidad, debe hacerlo en un contenedor apropiado, nunca con los residuos domésticos, y debe enviarse a un centro de recogida independiente para la recuperación y reciclaje de equipos eléctricos y electrónicos.



Asegúrese de estar familiarizado con las normativas locales sobre la recolección de productos eléctricos y electrónicos.

Introducción

Gracias por haber adquirido este producto de Q Acoustics.

El propósito de este manual es guiarle durante el proceso de configuración e instalación. Además, le ayudará a conseguir un rendimiento óptimo del producto.

Por favor, lea todas las instrucciones, la información importante de seguridad y las advertencias antes de instalar y utilizar el producto, para asegurar un correcto funcionamiento del mismo.

La serie Q Acoustics 3000i es una gama de altavoces diseñados para satisfacer las más altas expectativas de audiófilos de 2 canales dedicados y los entusiastas de películas más exigentes.

La gama se compone de:

3010i: Altavoz de estantería compacto con conductor de graves de 100 mm (4.0 pulgadas).

3020i: Altavoz de estantería con conductor de graves de 125 mm (5.0 pulgadas).

3030i: Altavoz de estantería con conductor de graves de 165 mm (6.5 pulgadas).

3050i: Soporte de suelo con dos conductores de graves de 165 mm (6.5 pulgadas).

3060S: Subwoofer activo de 150 vatios con 2 conductores de 200 mm (8.0 pulgadas).

3090Ci: Canal central con 2 conductores de graves de 100 mm (4.0 pulgadas).

En la caja encontrará: El altavoz o altavoces y este manual del producto.

Además el embalaje para los siguientes modelos contiene:

3050i: Estabilizador trasero, tacos y cubiertas de tacos para cada altavoz. Una llave Allen para ajustar los tacos una vez instalados.

3060S: Un cable o cables de red, tacos y cubiertas de tacos.

Revise cuidadosamente el producto. Si falta cualquier elemento o alguno de ellos está dañado, comuníquese a su distribuidor tan pronto como sea posible.

Esperamos que disfrute de su experiencia con Q Acoustics.

Preparación

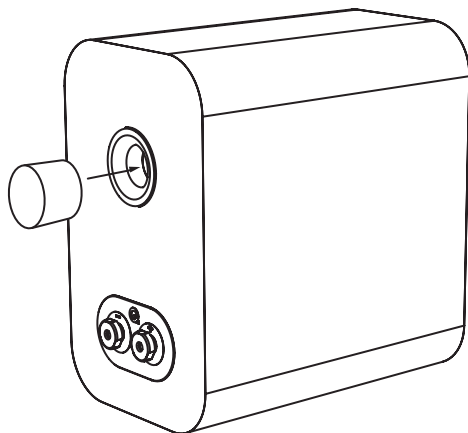


Levante los altavoces de los cartones de embalaje sujetando la estructura. No toque las unidades ni use las bolsas protectoras para levantarlos. El 3050i y 3060S son pesados: consiga ayuda para levantarlos si fuera necesario.

Tapón de espuma

Los altavoces de la serie 3000i se trasladan por la parte posterior y están diseñados para funcionar mejor con un poco de espacio detrás de ellos, es decir a unos 200 mm de una pared. Si coloca los altavoces cerca de una pared o esquina, los tapones de espuma deben insertarse en los puertos traseros, de lo contrario podrían producirse demasiados graves.

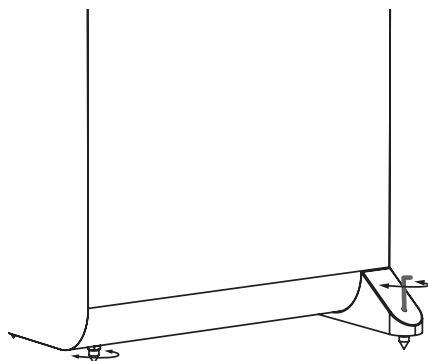
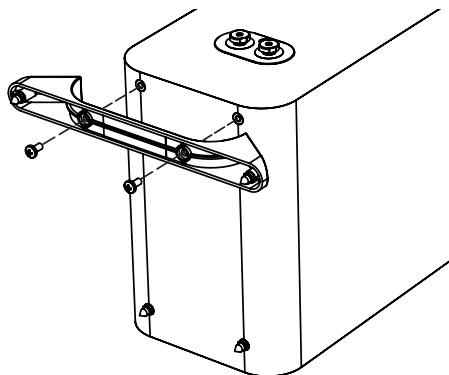
Asegúrese de que los tapones están firmemente sujetos al puerto sin insertarlos demasiado dentro. Observará que el nivel de graves se reduce pero que aumenta la definición y extensión de los graves. Experimente para ver lo que prefiere y trate de hacer pequeños cambios en la posición del altavoz para optimizar el resultado final.



*Los tacos son afilados. ¡Tenga cuidado!
No coloque nunca un altavoz con tacos donde pueda causar daños.
Mueva siempre los altavoces levantándolos, no los arrastre nunca.*

3050i - Coloque el estabilizador trasero

Inserte los tacos equipados con contratueras hasta la mitad de la base y vuelva a colocar el altavoz en posición vertical. (Si tiene el suelo de madera o de piedra coloque un protector de tacos sobre cada uno de ellos antes de colocar el altavoz en posición vertical.) Cuando el altavoz esté vertical, inserte la llave Allen en cada taco posterior desde arriba y ajuste todos los tacos hasta que el altavoz esté nivelado y estable.



Use los tornillos suministrados para sujetar las patas como se muestra.

Colocación



Todos los altavoces pueden utilizarse cerca de monitores de TV sin efectos nocivos a excepción del 3060S, que no debe ser operado a 500 mm de monitores de pantallas de TV u otros equipos sensibles a los campos magnéticos. Las pantallas de plasma y LCD no se ven afectadas.

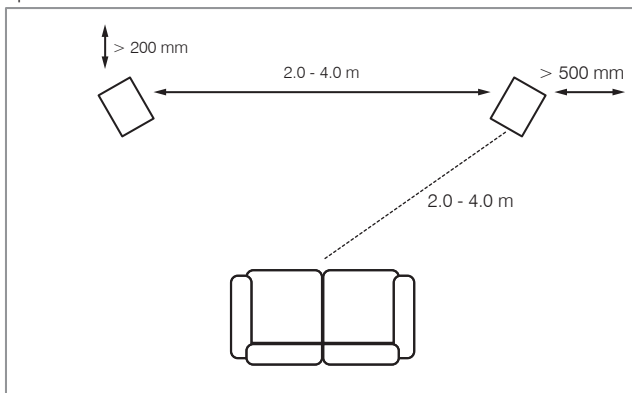
3010i, 3020i y 3030i

Es preferible montar los 3010i, 3020i y 3030i en soportes de suelo de Q Acoustics, 3010i y 3020i montados en la pared. Si realiza el montaje en soporte, una guía sencilla es que la unidad de agudos debe estar a nivel del oído de un oyente sentado. Los altavoces montados en pared se pueden colocar ligeramente más altos con el altavoz en ángulo hacia abajo. Los altavoces montados en soporte deben tratarse como altavoces de suelo excepto que el altavoz puede colocarse un poco más cerca de la pared trasera. También es posible el montaje en estantes.

Un soporte opcional diseñado específicamente para el montaje en pared de los Q Acoustics 3010i, 3020i y 3090Ci está disponible en su distribuidor. También están disponibles soportes de suelo para los 3010i, 3020i y 3030i. Prepárese para experimentar a fin de encontrar la mejor configuración adaptada a su gusto en su sala de escucha particular.

3050i

Los altavoces 3050i deben colocarse por lo menos a 200 mm de la pared trasera y a 500 mm de las paredes laterales. Si se colocan los altavoces más cerca de la pared aumentarán los graves pero podría provocar una explosión de sonido y la falta de precisión y detalle. Los altavoces deben estar separados de 2-4 m y centrados con el oyente sentado. Si se giran los altavoces ligeramente hacia adentro se agudizará la imagen estéreo pero puede causar una reducción de la fuente de sonido.



Subwoofer

Las frecuencias de graves son básicamente omnidireccionales. Aunque esto significa que puede colocar el subwoofer prácticamente en cualquier lugar, la imagen estéreo será mejor si lo coloca nivelado con los altavoces frontales y lo más centrado posible con la posición de escucha. Es posible

que esto no se pueda hacer en un sistema multicanal. Si coloca el subwoofer cerca de una pared, los graves se reforzarán y por tanto, en algunas ubicaciones, es posible que los graves retumben y sean indefinidos.

Altavoces de efectos

3090Ci

El 3090Ci está diseñado para funcionar cerca de una pantalla de televisión y centrado con ella. Debe colocarse inmediatamente encima o debajo de la pantalla. Si tiene un monitor de plasma o LCD, monte el 3090Ci en la pared u otra superficie adecuada inmediatamente encima o debajo de la pantalla utilizando el soporte de pared Q-Acoustics. De lo contrario, considere el colocar la TV en un armario con el 3090Ci en un estante seguro inmediatamente debajo de la TV.

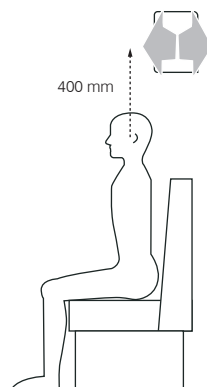


Dolby y el símbolo de la doble D son marcas comerciales de Dolby Laboratories.

Altavoces de sonido envolvente

Hay recomendaciones de los laboratorios Dolby para los altavoces de efectos 5.1. Los altavoces de sonido envolvente deben montarse en cualquiera de los lados del oyente, ligeramente detrás de la posición de escucha. Los altavoces deben estar situados mirando hacia dentro, montados en las paredes laterales de la sala o, si la sala es grande, en soportes altos y con sus centros por encima del nivel del oído de un oyente sentado.

Para altavoces por encima de la cabeza utilizados en instalaciones multicanal, le recomendamos instalar la gama Q Acoustics.



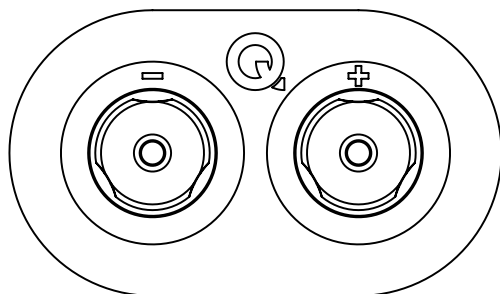
Conexiones



Antes de proceder con cualquier conexión en los altavoces, asegúrese de que todas las unidades activas en su sistema estén desconectadas de la fuente de alimentación principal. Al encender su sistema de sonido o cambiar las fuentes de entrada, configure el control de volumen principal a un nivel bajo. Aumente el nivel de forma gradual.

Terminales y conectores

Los 3010i, 3020i, 3030i, 3050i y 3090Ci tienen dos pasos de terminales de serie.



3010i, 3020i, 3030i, 3050i y 3090Ci

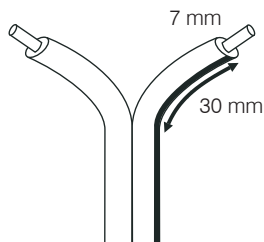
Cables de altavoz

Los cables de altavoz especializados ofrecen un mayor nivel de reproducción que los cables de uso general (de dos hilos o tirolesa). Use cables con gran cantidad de cobre para los canales frontal y central. Los cables finos reducen los graves y limitan el rango dinámico. Los canales envolventes (traseros) son menos importantes.

El cable del altavoz tiene una tira o trazador a lo largo de un núcleo. Se conecta a los terminales positivos de forma convencional. Se recomienda que los cables que conectan el amplificador a los altavoces frontales tengan la misma longitud. No una nunca los cables, utilice longitudes completas.

Preparación de los cables

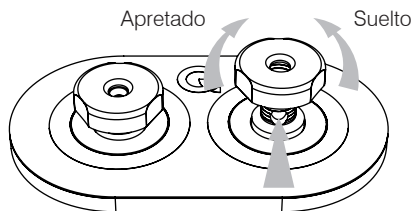
Divida el cable a una profundidad de alrededor de 40 mm. Pele el cable a una profundidad de 10 mm y doble los extremos para unir los hilos. Corte el cable dejando 7 mm de cable pelado expuesto.



Conexión de un terminal

Desatornille el terminal hacia la izquierda para exponer el orificio de montaje en la base de la columna del terminal.

Inserte el extremo pelado del cable en el orificio. Vuelva a apretar el terminal completamente a mano. Asegúrese de que no haya hilos que puedan entrar en contacto con los terminales adyacentes. El uso de enchufes de altavoz de 4 mm en la UE infringe la normativa de seguridad.

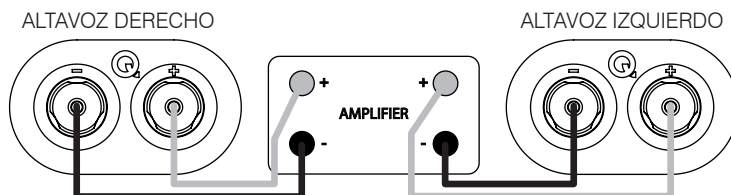


Conexiones estéreo

Conexiones estándar

Conecte el terminal ROJO (+) del altavoz DERECHO al terminal ROJO, Positivo (+) en el canal DERECHO del amplificador. Conecte el terminal NEGRO (-) del altavoz al terminal NEGRO negativo (-) correspondiente del amplificador. Repita este procedimiento para el canal IZQUIERDO.

Cableado estándar:



Cuidado

Cuidado de la estructura



Limpie la estructura con un paño ligeramente humedecido. No utilice productos de limpieza que incluyan disolventes. No utilice ningún tipo de limpiador abrasivo.

La estructura solamente acumulará algo de polvo. En caso de utilizar un aerosol u otro producto de limpieza, eche el producto sobre el paño y nunca directamente sobre el producto. Pruebe primero una zona pequeña, ya que algunos productos de limpieza pueden dañar el acabado. Evite utilizar productos abrasivos, o que contengan agentes alcalinos o ácidos. No utilice productos de limpieza sobre los controladores y evite tocarlos, puesto que se podrían dañar.

Rejillas

Las rejillas deben limpiarse utilizando un cepillo suave cuando sea necesario.



Si utiliza el altavoz Q Acoustics sin las rejillas, recuerde colocarlas cuando haya mascotas o niños cerca.

Controladores

No toque los controladores, ya que son muy delicados y se pueden dañar en caso de contacto.

Garantía

Los altavoces pasivos de Q Acoustics están garantizados frente a defectos de materiales y mano de obra durante un período de 4 años (1 año en el caso del subwoofer) tras la fecha de compra. Durante el período de vigencia de la garantía, Q Acoustics reemplazará o reparará, bajo su criterio, cualquier producto que sea declarado defectuoso tras haber sido revisado por la empresa o agente o distribuidor aprobados.

El mal uso y el desgaste normal no están cubiertos por la garantía.

Para reparar la unidad es necesario entregarla al distribuidor autorizado. Si no fuese posible, póngase en contacto con Q Acoustics o el distribuidor autorizado en su zona para determinar el procedimiento correcto a seguir. Si es posible, debe utilizarse el material de embalaje original para devolver el producto, ya que los daños producidos durante el transporte de la unidad al centro de reparación no están cubiertos por la garantía. La garantía no afecta en modo alguno a sus derechos legales.

Puede ampliar la duración de la garantía a 5 años (2 años para el Subwoofer) si registra su producto en www.qacoustics.co.uk/register.

Para obtener información de servicio, póngase en contacto con support@qacoustics.co.uk

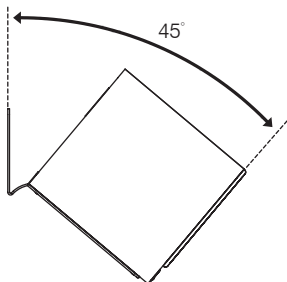
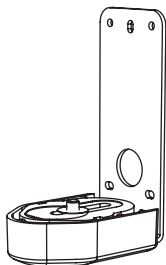
Q Acoustics
Woodside 2
Dunmow Road
Bishops Stortford
Hertfordshire, UK
CM23 5RG

Accesorios

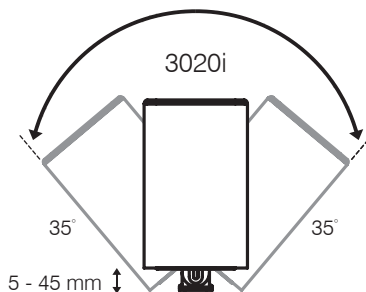
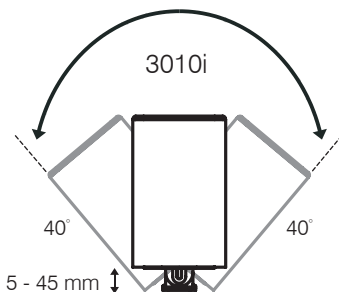
Abrazadera de pared (una unidad)

3010i / 3020i / 3090Ci

Blanco y negro



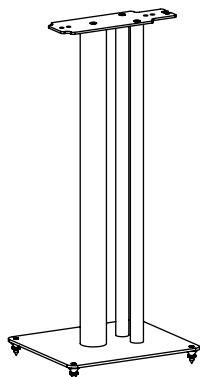
Dimensiones (AxAxP): 70 x 159 x 99 mm



Soporte para altavoz (par)

3010i / 3020i

Blanco y negro

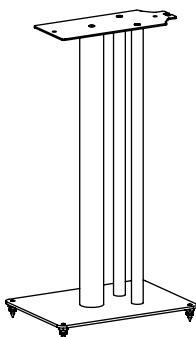


Dimensiones (AxAxP):
250 x 682 x 290 mm

Soporte para altavoz (par)

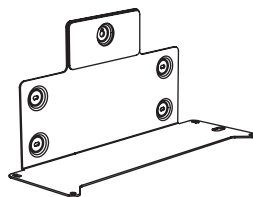
3030i

Blanco y negro



245 x 635 x 340 mm

Abrazadera de pared
para Subwoofer
3060S
Negro



422 x 222 x 163 mm

Especificaciones



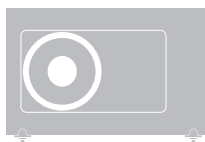
Altavoces pasivos

Tipo de caja:	Reflejo de 2 vías
Unidad de graves:	100 mm (4.0 in)
Unidad de agudos:	22 mm (0.9 in)
Respuesta de frecuencia (+/-3 dB, -6 dB):	65 Hz - 30 kHz
Impedancia media:	6 Ω
Impedancia mínima:	4 Ω
Sensibilidad (2,83 v a 1 m):	86 dB
Potencia estéreo del amplificador:	15 - 75 W
Potencia del receptor AV (2 canales)	50 - 125 W
Frecuencia de paso:	2.6 kHz
Volumen efectivo:	4.0 L (244 cu in)
Dimensiones de la estructura (AxAxP): (inc. rejilla, terminal y pie)	150 x 253 x 252 mm (5.9 x 10.0 x 10.0 in)
Ancho del recinto:	
Peso (por altavoz):	4.1 kg (9.0 lbs)



3020i

Tipo de caja:	Reflejo de 2 vías
Unidad de graves:	125 mm (5.0 in)
Unidad de agudos:	22 mm (0.9 in)
Respuesta de frecuencia (+/-3 dB, -6 dB):	64 Hz - 30 kHz
Impedancia media:	6 Ω
Impedancia mínima:	4 Ω
Sensibilidad (2,83 v a 1 m):	88 dB
Potencia estéreo del amplificador:	25 - 75 W
Potencia del receptor AV (2 canales)	50 - 125 W
Frecuencia de paso:	2.4 kHz
Volumen efectivo:	6.1 L (372 cu in)
Dimensiones de la estructura (AxAxP): (inc. rejilla, terminal y pie)	170 x 278 x 282 mm (6.7 x 11.0 x 11.1 in)
Ancho del recinto:	
Peso (por altavoz):	5.5 kg (12.1 lbs)



Subwoofer activo:

Tipo de caja:	Infinite baffle
Unidad de graves:	200 mm (8.0 in)
Potencia del amplificador:	150 W Class-D
Respuesta de frecuencia (+/-3 dB, -6 dB):	35 Hz - 250 Hz
Frecuencia de cruce:	35 Hz - 250 Hz (var.)
Volumen efectivo:	10.6 L (647 cu in)
Dimensiones de la estructura (AxAxP en mm):	480 x 300 x 150 mm (18.9 x 11.8 x 5.9 in) 324 mm (12.7 in) inclure des pointes
Peso:	8.5 kg (18.7 lbs)



3030i

Reflejo de 2 vías

165 mm (6.5 in)

22 mm (0.9 in)

46 Hz - 30 kHz

6 Ω

4 Ω

88 dB

25 - 75 W

50 - 145 W

2.4 kHz

12.5 L (763 cu in)

200 x 325 x 329 mm

(7.9 x 12.8 x 13.0 in)

6.4 kg (14.1 lbs)



3050i

Reflejo de 2 vías

2 x 165 mm (6.5 in)

22 mm (0.9 in)

44 Hz - 30 kHz

6 Ω

4 Ω

91 dB

25 - 180 W

50 - 165 W

2.5 kHz

32.4 L (1977 cu in)

310 x 1020 x 310 mm

(12.2 x 40.1 x 12.2 in)

200 mm (7.9 in)

17.8 kg (39.2 lbs)



3090Ci

Reflejo de 2 vías

2 x 100 mm (4.0 in)

22 mm (0.9 in)

75 Hz - 30 kHz

6 Ω

4 Ω

89 dB

25 - 100 W

50 - 165 W

2.7 kHz

6.6 L (403 cu in)

430 x 152 x 216 mm

(16.9 x 6.0 x 8.5 in)

6.0 kg (13.2 lbs)



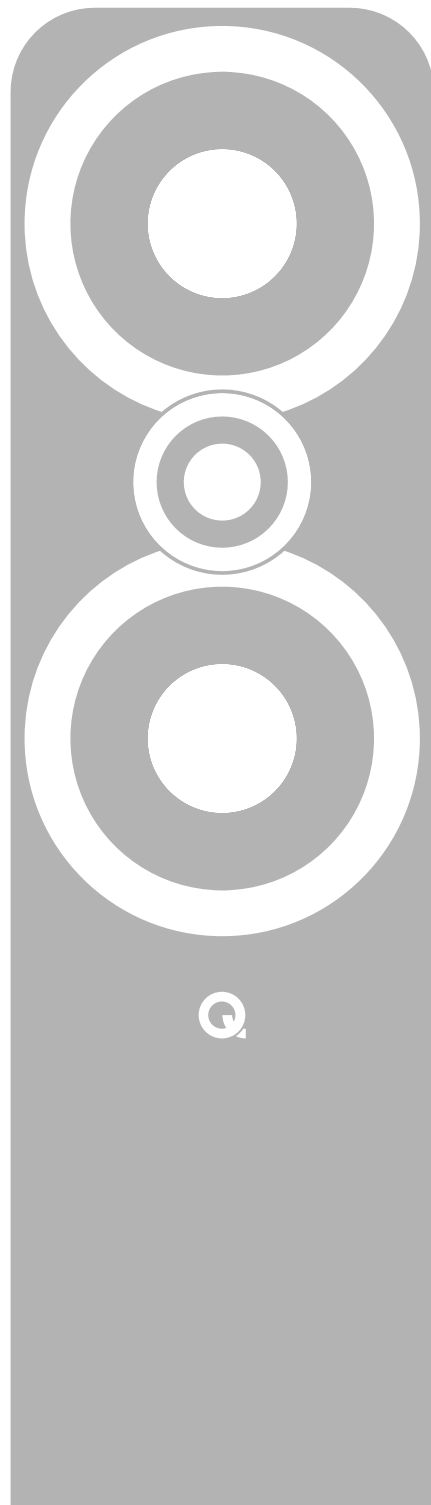
QACOUSTICS.CO.UK

Nuestra política es la mejora continuada de nuestros productos.
Nos reservamos el derecho a realizar cambios en el diseño y especificaciones sin previo aviso.
Este documento contiene información que puede ser modificada sin necesidad de aviso previo.



Série 3000i
MANUEL DU PROPRIÉTAIRE

FR	FRANÇAIS	01
DE	ALLEMAND	19
ES	ESPAGNOL	37
FR	FRANÇAIS	55
IT	ITALIEN	73
NL	NÉERLANDAIS	91
PL	POLONAIS	109
PT	PORTUGAIS	127
RU	RUSSE	145
SV	SUÉDOIS	163
ZH	CHINOIS	181



Mises en garde et avis de sécurité importants

1. Mises en garde et avis de sécurité

Avant de connecter les enceintes, vérifiez si toutes les enceintes actives de votre système sont éteintes au niveau du secteur.

Lorsque vous allumez votre système audio ou changez les sources d'entrée, réglez le bouton de volume principal à un bas niveau. Augmentez progressivement le volume.

Ne faites JAMAIS fonctionner votre système audio au volume maximal. La position du bouton de volume est trompeuse et ne reflète pas la puissance de votre système. Un volume élevé peut provoquer des lésions auditives.

1.1. Instructions

Veillez lire et vous familiariser avec ces instructions avant d'utiliser vos enceintes. En cas d'endommagement résultant du non-respect de ces instructions, la garantie ne sera pas valide. Veillez conserver ces instructions dans un endroit sûr.

Lisez attentivement ces instructions.

Conservez soigneusement ces instructions.

Tenez compte de tous les avertissements.

Veillez suivre toutes les instructions.

N'utilisez pas ce produit à proximité d'eau.

NE connectez PAS vos enceintes à une prise secteur.

N'installez pas le produit près d'une source de chaleur telle qu'un radiateur, une bouche d'air chaud, un poêle ou d'autres appareils (notamment des amplificateurs) qui génèrent de la chaleur).

Utilisez uniquement les équipements/accessoires spécifiés par le fabricant.

Débranchez ce produit lors des orages ou lorsqu'il reste inutilisé pendant de longues périodes.

2. Déballage des enceintes



Déballiez entièrement vos enceintes. Sortez les enceintes des cartons en soutenant les caissons. Ne vous servez pas des sacs de protection pour les soulever.

Lorsque vous déplacez les enceintes, ne les tirez pas au sol pour éviter de les endommager.

Soulevez chaque enceinte avant de la déplacer.

Vérifiez soigneusement les enceintes. Si un élément est endommagé ou manquant, indiquez-le au vendeur dès que possible.

Conservez l'emballage en vue d'un éventuel futur transport. Si vous jetez l'emballage, veuillez observer toutes les réglementations relatives au recyclage qui sont en vigueur dans votre région.

3. Installation

- Utilisez uniquement les accessoires fournis avec le produit.
- Pour éviter toute blessure, ce produit doit être fixé au sol en toute sécurité, conformément à la notice d'installation.
- N'utilisez pas de pieds artisanaux. Fixez le pied Q Acoustics adapté en suivant les instructions et en utilisant toutes les pièces de fixation fournies. Le vendeur vous conseillera.
- Si vous faites fonctionner vos enceintes sans leur grille de protection, veillez à les protéger contre d'éventuels dommages.
- **NE démontez PAS** l'enceinte. Cela rendrait la garantie nulle et non avenue.
- Ne connectez pas les bornes de vos enceintes à une prise secteur.
- N'exposez pas vos enceintes à des températures excessivement basses, élevées, à l'humidité ou à la lumière du soleil.
- Ce produit peut être utilisé dans les climats tropicaux et/ou tempérés.

3.1. Humidité

- Pour réduire le risque d'incendie ou de choc électrique, ce produit ne doit pas être exposé à la pluie, l'humidité, la chute de gouttes ou les éclaboussures.
- N'utilisez pas ce produit à proximité d'eau.

3.2. Entretien

Confiez toute réparation à un technicien d'intervention qualifié. Des réparations sont nécessaires si le produit a été endommagé d'une façon ou d'une autre, par exemple si du liquide a été renversé sur le produit ou si des objets sont tombés dessus, si le produit a été exposé à la pluie ou à l'humidité, ou bien s'il ne fonctionne pas normalement ou s'il est tombé.

4.0. Symboles utilisés sur ce produit

Symbole d'avertissement de danger



Le «point d'exclamation» attire l'attention sur les caractéristiques concernant lesquelles vous devriez lire ce manuel attentivement afin d'éviter des problèmes de fonctionnement et de maintenance.

ATTENTION : Pour empêcher les décharges électriques, insérez à fond la broche large de la prise dans la fente large.

Symbole des équipements électriques et électroniques jetables

Ce symbole indique que lorsque le produit doit être éliminé, il ne doit être jeté avec les autres déchets domestiques mais envoyé à une décharge spéciale pour la récupération et le recyclage des équipements électriques et électroniques.



Veillez à connaître la réglementation locale concernant la collecte séparée des produits électriques et électroniques.

Introduction

Merci d'avoir acheté un produit Q Acoustics.

Ce manuel a pour but de vous guider au cours dans la configuration et l'installation du système et de vous permettre de bénéficier des performances optimales de ce produit.

Veillez lire attentivement les instructions, les mises en garde et avis de sécurité importants avant d'installer et d'utiliser le produit, afin que son fonctionnement soit sûr et satisfaisant.

La série Q Acoustics 3000i est une gamme d'enceintes conçues pour satisfaire les attentes les plus élevées des audiophiles de 2 canaux dédiés et cinéphiles avisés.

La gamme comprend :

3010i : Enceinte bibliothèque compacte équipée d'un haut-parleur de basses de 100 mm (4 pouces).

3020i : Enceinte bibliothèque équipée d'un haut-parleur de basses de 125 mm (5 pouces).

3030i : Enceinte bibliothèque équipée d'un haut-parleur de basses de 165 mm (6.5 pouces).

3050i : Colonne avec deux haut-parleurs de basses de 165 mm (6,5 pouces).

3060S : Caisson de basses actif de 150 W avec un haut-parleur de 200 mm (8 pouces)

3090Ci : Canal central avec deux haut-parleurs de basses de 100 mm (4 pouces)

Dans le carton d'emballage, vous trouverez : Le ou les enceinte(s) et le manuel de l'utilisateur.

Les modèles suivants sont livrés avec les éléments supplémentaires suivants :

3050i : Stabilisateur arrière, pointes et embouts de pointe pour chaque haut-parleur. Une clé Allen pour ajuster les pointes une fois celles-ci fixées.

3060S : Un ou plusieurs cordon(s) secteur, des pointes et des embouts de pointe.

Vérifiez soigneusement le produit. Si un élément est endommagé ou manquant, signalez-le au vendeur dès que possible.

Nous espérons que vous apprécierez l'expérience que vous propose Q Acoustics.

Préparation

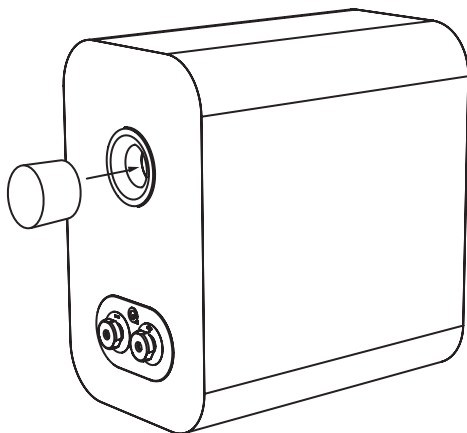


Sortez les enceintes des cartons en soutenant les caissons. Ne touchez pas les haut-parleurs et n'utilisez pas les sacs de protection pour les soulever. Les modèles 3050i et 3060S sont lourds - faites-vous aider pour les soulever si nécessaire.

Bouchons en mousse

Les enceintes de la série 3000i sont orientées vers l'arrière et conçues pour un fonctionnement optimal lorsqu'elles sont placées en retrait, c'est-à-dire à 200 mm environ d'un mur. Si vous positionnez vos enceintes à proximité d'un mur ou dans un coin, les bouchons en mousse doivent être insérés dans les événements arrière. Sinon, les basses pourraient être trop puissantes.

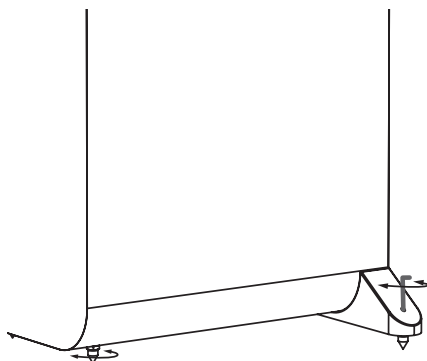
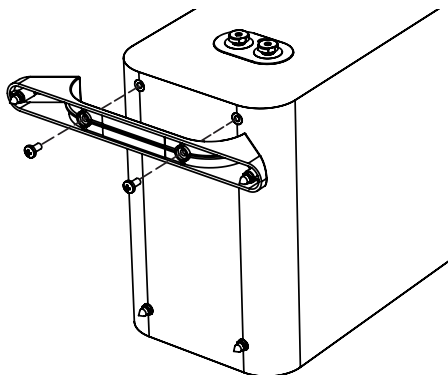
Assurez-vous que les bouchons sont bien ajustés dans les événements sans les insérer trop profondément. Vous trouverez que le niveau des basses est réduit, mais que la définition et l'extension des basses est augmentée. Faites des essais pour déterminer vos préférences et essayez de modifier légèrement la position de l'enceinte pour optimiser le résultat final.



Les pointes sont très pointues. Faites attention !
Ne placez jamais une enceinte équipée de pointes à un endroit qu'elles peuvent abîmer !
Déplacez toujours les enceintes en les soulevant. Ne les traînez jamais !

3050i - Fixez le stabilisateur arrière

Enfoncez les pointes dans des boulons de verrouillage à moitié dans la base et remettez l'enceinte dans le bon sens. (Si l'enceinte repose sur un parquet ou un sol en carrelage, enfoncez un embout de protection sur chaque pointe avant de la remettre droite). Lorsque l'enceinte est dans le bon sens, insérez la clé Allen dans chacune des pointes à l'arrière en commençant par le haut et ajustez-les jusqu'à ce que l'enceinte soit à l'horizontale et stable.



Utilisez les vis fournies pour sécuriser les pieds comme indiqué sur le schéma.

Positionnement



Toutes les enceintes peuvent fonctionner à proximité d'un téléviseur sans en altérer le fonctionnement, à l'exception du 3060S qui ne doit pas fonctionner à moins de 500 mm d'un téléviseur ou de tout type d'équipement sensible aux champs magnétiques. Le fonctionnement des écrans plasma et LCD n'est pas altéré.

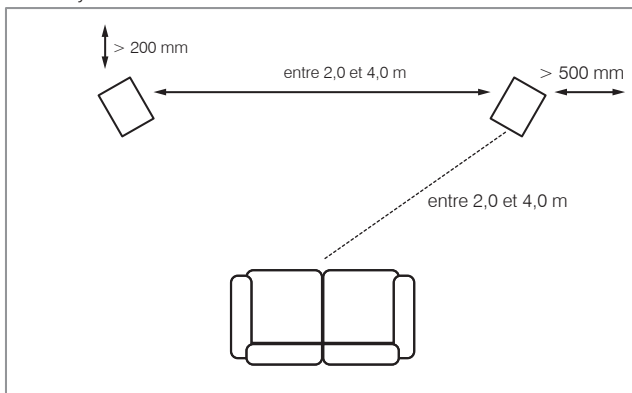
3010i, 3020i et 3030i

Il est préférable de monter les modèles 3010i, 3020i et 3030i sur des pieds Q Acoustics, 3010i et 3020i de les fixer au mur. Si vous utilisez un pied, le haut-parleur d'aigus doit être placé à hauteur d'écoute d'un auditeur assis. Les enceintes fixées au mur peuvent être montées légèrement plus haut et orientées vers le bas. Les enceintes sur pied doivent être considérées comme des enceintes de plancher, à l'exception que l'enceinte peut être placée légèrement en retrait du mur à l'arrière. Il est également possible de les poser sur des étagères.

Un support optionnel conçu spécifiquement pour les modèles Q Acoustics 3010i, 3020i et 3090Ci est disponible chez votre vendeur. Des pieds pour les modèles 3010i, 3020i et 3030i sont également disponibles. Soyez disposé à faire des essais pour trouver la configuration qui corresponde le mieux à vos goûts dans la pièce où se trouve le système.

3050i

Les enceintes 3050i doivent être placées en retrait, c'est-à-dire à au moins 200 mm d'un mur à l'arrière et à au moins 500 mm d'un mur latéral. Le positionnement des enceintes plus près d'un mur augmentera les basses, mais pourra provoquer un boom sonore et un manque de précision et de détail. Les enceintes doivent être séparées de 2 à 4 m et placées en face de l'auditeur assis. Tournez les enceintes légèrement vers l'intérieur pour une plus grande netteté de l'image stéréo, mais cela pourrait restreindre la source sonore.



Caisson de basses

Les basses fréquences sont principalement omnidirectionnelles. Même s'il est possible de positionner le caisson de basses presque n'importe où, l'image stéréo sera néanmoins meilleure si vous le placez

au même niveau que les enceintes avant et dans une position d'écoute aussi centrale que possible. Ce n'est peut-être pas possible dans un système à canaux multiples. Si vous placez le caisson de basses près d'un mur, les sons graves seront accentués et, par conséquent, ils peuvent être très indistincts et caverneux à certains endroits.

Enceintes à effets

3090Ci

Le modèle 3090Ci est conçu pour fonctionner près d'un téléviseur et doit être placé dans une position centrale par rapport à celui-ci. Il doit être placé juste au-dessus ou en dessous de l'écran. Si vous disposez d'un écran plasma ou LCD, fixez le 3090Ci au mur ou à une autre surface adaptée, juste au-dessus ou en dessous de l'écran, en utilisant le support mural Q Acoustics. À défaut, envisagez de placer le téléviseur sur un caisson avec le 3090Ci posé sur une étagère solide juste sous l'écran.

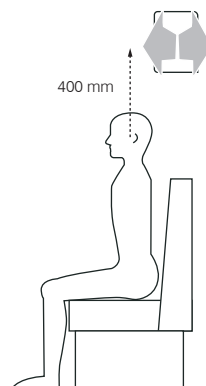


Dolby et le symbole double-D sont les marques commerciales de Dolby Laboratories.

Enceintes d'ambiance

Les laboratoires Dolby recommandent des enceintes à effet 5.1. Les enceintes d'ambiance doivent être montées de chaque côté de l'auditeur, légèrement en retrait par rapport à la hauteur d'écoute. Les enceintes doivent être tournées vers l'intérieur, et montées soit sur les murs latéraux de la pièce ou, si celle-ci est grande, sur des pieds grand format et avec leur entraxe au-dessus de la hauteur d'écoute de l'auditeur assis.

Pour les enceintes montées au plafond, qui sont utilisées dans les installations multicanaux, nous recommandons la distance préconisée de Q Acoustics.



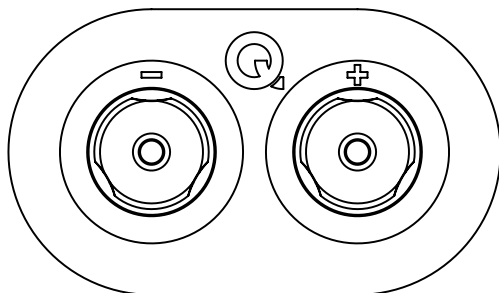
Connexions



Avant de connecter les enceintes, assurez-vous que tous les caissons actifs de votre système sont coupés du secteur. Lorsque vous allumez votre système audio ou changez les sources d'entrée, réglez le bouton de volume principal à un bas niveau. Augmentez progressivement le volume.

Bornes et connecteurs

Les modèles 3010i, 3020i, 3030i, 3050i et 3090Ci sont équipés de deux répartiteurs terminaux.



3010i, 3020i, 3030i, 3050i et 3090Ci

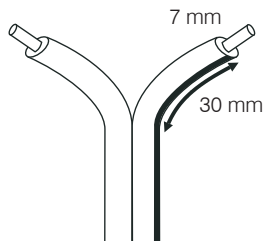
Câbles d'enceinte

Les câbles spéciaux pour enceintes vous offriront une meilleure qualité de reproduction du son que les câbles universels. Utilisez des câbles à forte teneur de cuivre pour les canaux avant et centraux. Les câbles minces réduisent les basses et restreignent la gamme dynamique. Les canaux d'ambiance (à l'arrière) sont moins déterminants.

Un conducteur de câble d'enceinte se distingue par une raie ou une ligne de couleur. Par convention, il est connecté aux bornes positives. Dans l'idéal, les câbles reliant l'amplificateur aux enceintes avant doivent être de la même longueur. Ne joignez jamais des câbles, utilisez des longueurs de câble complètes.

Préparation des câbles

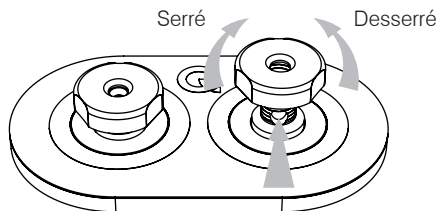
Séparez les fils du câble sur une longueur d'environ 40 mm. Dénudez le fil sur une longueur de 10 mm et torsadez les parties dénudées de manière à réunir les brins libres. Coupez les extrémités du câble en laissant 7 mm de câble dénudé.



Connexion d'une borne

Dévissez la borne en tournant dans le sens antihoraire de manière à découvrir l'orifice de montage situé à la base de la tige de la borne.

Insérez la partie dénudée du câble dans cet orifice. Resserrez complètement la borne à la main. Vérifiez qu'il n'y a pas de fils dénudés susceptibles de toucher des bornes adjacentes. Dans l'Union européenne, l'utilisation de fiches d'enceintes de 4 mm est contraire aux réglementations relatives à la sécurité.

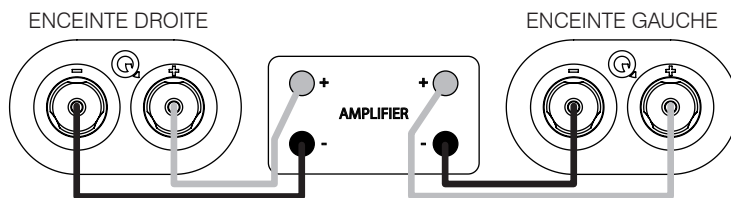


Connexions stéréo

Connexions standard

Connectez la borne ROUGE (+) de l'enceinte DROITE à la borne ROUGE, positive (+), sur le canal DROIT de l'amplificateur. Connecter la borne NOIRE (-) de l'enceinte à la borne NOIRE, négative (-), correspondante de l'amplificateur. Répétez cette procédure pour le canal GAUCHE.

Connexion standard :



Entretien après utilisation

Entretien des caissons



Nettoyez les caissons uniquement avec un chiffon légèrement humide. N'utilisez pas de produits de nettoyage à base de solvants. N'utilisez jamais de produits abrasifs, quels qu'ils soient.

En général, la surface du caisson ne doit être que légèrement époussetée. En cas d'utilisation d'un aérosol ou d'un autre produit de nettoyage, appliquez au préalable le produit sur le chiffon et non pas directement sur le produit. Testez au préalable sur une petite zone, car certains produits de nettoyage peuvent endommager la finition. Évitez d'utiliser les produits abrasifs ou qui contiennent des agents acides ou alcalins. N'employez pas de produits de nettoyage sur les haut-parleurs et évitez de les toucher car vous risquez de les endommager.

Grilles de protection

Les grilles doivent être nettoyées uniquement à l'aide d'une brosse douce, si nécessaire.



Si vous utilisez l'enceinte Q Acoustics sans les grilles, n'oubliez pas de les remettre en place en présence d'animaux domestiques ou d'enfants.

Enceintes

Il est préférable de ne pas toucher aux haut-parleurs étant donné qu'ils s'abîment facilement lorsqu'ils sont exposés.

Garantie

Les enceintes passives Q Acoustics sont garanties contre tout vice de matériau et de main d'œuvre pendant une période de 4 ans (1 an pour le caisson de basses) à compter de la date d'achat. Pendant la période de garantie, Q Acoustics réparera ou remplacera à sa discrétion tout produit s'il s'avère être défectueux après inspection par la société ou son distributeur ou agent agréé.

La mauvaise utilisation et l'usure normale ne sont pas couvertes par la garantie.

Les marchandises à réparer devront être retournées au revendeur, en premier lieu. Si cela n'est pas possible, contactez Q Acoustics ou son distributeur agréé dans votre région afin de déterminer la procédure de garantie appropriée. Si possible, l'emballage d'origine doit être utilisé pour renvoyer le produit, car les dommages subis pendant le transport jusqu'au centre de réparation ne sont pas couverts par la garantie. La garantie n'affecte en aucune façon vos droits légaux.

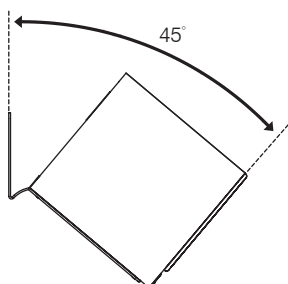
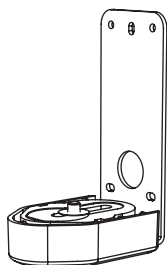
Vous pouvez prolonger la garantie jusqu'à 5 ans (2 ans pour le caisson de basses) en enregistrant votre produit sur le site Web :
www.qacoustics.co.uk/register.

Pour tout renseignement complémentaire, contactez : support@qacoustics.co.uk

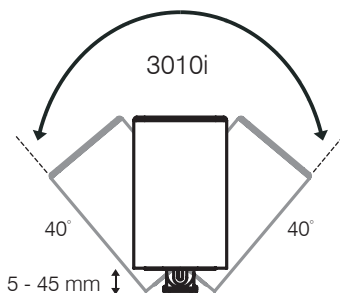
Q Acoustics
Woodside 2
Dunmow Road
Bishops Stortford
Hertfordshire, UK
CM23 5RG

Accessoires

Support mural (simple)
3010i / 3020i / 3090Ci
Noir et blanc

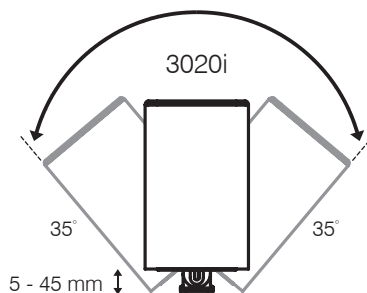


Dimensions (L×H×P): 70 x 159 x 99 mm



Pieds d'enceinte (paire)

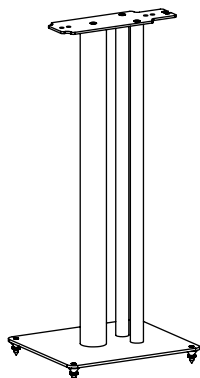
3010i / 3020i
Noir et blanc



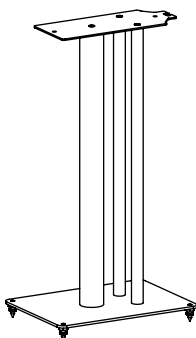
Pieds d'enceinte (paire)

3030i
Noir et blanc

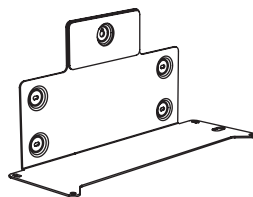
Support mural pour le
caisson de basses
3060S
Noir



Dimensions (L×H×P):
250 x 682 x 290 mm



245 x 635 x 340 mm



422 x 222 x 163 mm

Spécifications



Enceintes passives

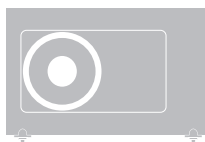
Type de caisson:
 Haut-parleur de basses:
 Haut-parleur d'aigus:
 Réponse en fréquence (+/-3 dB, -6 dB):
 Impédance moyenne:
 Impédance minimum:
 Sensibilité (2,83v@1m):
 Puissance de l'amplificateur stéréo:
 Puissance AV du récepteur:
 (2 canaux en service)
 Fréquence de répartition:
 Volume utile:
 Dimensions du caisson (LxHxP):
 (avec la grille, la borne et les pieds)
 Largeur de l'enceinte:
 Poids (par haut-parleur):

3010i

Reflex 2 voies
 100 mm (4.0 in)
 22 mm (0.9 in)
 65 Hz - 30 kHz
 6 Ω
 4 Ω
 86 dB
 15 - 75 W
 50 - 125 W
 2.6 kHz
 4.0 L (244 cu in)
 150 x 253 x 252 mm
 (5.9 x 10.0 x 10.0 in)
 4.1 kg (9.0 lbs)

3020i

Reflex 2 voies
 125 mm (5.0 in)
 22 mm (0.9 in)
 64 Hz - 30 kHz
 6 Ω
 4 Ω
 88 dB
 25 - 75 W
 50 - 125 W
 2.4 kHz
 6.1 L (372 cu in)
 170 x 278 x 282 mm
 (6.7 x 11.0 x 11.1 in)
 5.5 kg (12.1 lbs)



Caisson de basses actif

Type de caisson:
 Haut-parleur de basses:
 Puissance d'amplificateur:
 Réponse en fréquence (+/-3 dB, -6 dB):
 Fréquence de croisement:
 Volume utile:
 Dimensions du caisson (LxHxP):
 Poids:

3060S

Baffle infini
 200 mm (8.0 in)
 150 W Class-D
 35 Hz - 250 Hz
 35 Hz - 250 Hz (var.)
 10.6 L (647 cu in)
 480 x 300 x 150 mm (18.9 x 11.8 x 5.9 in)
 324 mm (12.7 in) avec les pointes
 8.5 kg (18.7 lbs)

**3030i**

Reflex 2 voies
 165 mm (6.5 in)
 22 mm (0.9 in)
 46 Hz - 30 kHz
 6 Ω
 4 Ω
 88 dB
 25 - 75 W
 50 - 145 W

2.4 kHz
 12.5 L (763 cu in)
 200 x 325 x 329 mm
 (7.9 x 12.8 x 13.0 in)

6.4 kg (14.1 lbs)

**3050i**

Reflex 2 voies
 2 x 165 mm (6.5 in)
 22 mm (0.9 in)
 44 Hz - 30 kHz
 6 Ω
 4 Ω
 91 dB
 25 - 180 W
 50 - 165 W

2.5 kHz
 32.4 L (1977 cu in)
 310 x 1020 x 310 mm
 (12.2 x 40.1 x 12.2 in)
 200 mm (7.9 in)

17.8 kg (39.2 lbs)

**3090Ci**

Reflex 2 voies
 2 x 100 mm (4.0 in)
 22 mm (0.9 in)
 75 Hz - 30 kHz
 6 Ω
 4 Ω
 89 dB
 25 - 100 W
 50 - 165 W

2.7 kHz
 6.6 L (403 cu in)
 430 x 152 x 216 mm
 (16.9 x 6.0 x 8.5 in)

6.0 kg (13.2 lbs)



QACOUSTICS.CO.UK

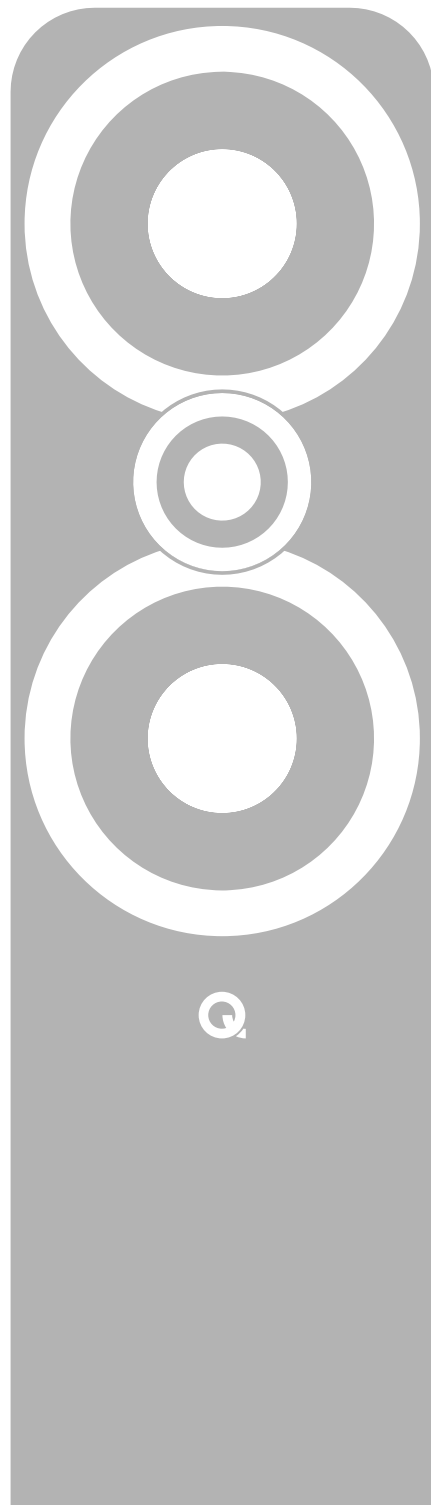
Nous adoptons une politique d'amélioration continue des produits.
Nous nous réservons le droit de modifier les modèles et les caractéristiques techniques sans préavis.
Ce document contient des informations qui sont susceptibles d'être modifiées sans préavis.



Serie 3000i

MANUALE UTENTE

EN	ENGLISH	01
DE	GERMAN	19
ES	ESPAÑOL	37
FR	FRENCH	55
IT	ITALIANO	73
NL	DUTCH	91
PL	POLISH	109
PT	PORTUGUESE	127
RU	RUSSIAN	145
SV	SWEDISH	163
ZH	CHINESE	181



Informazioni e avvertenze importanti per la sicurezza

1. Informazioni e avvertenze di sicurezza

Prima di effettuare qualsiasi collegamento agli altoparlanti, assicurarsi che tutte le parti attive dell'impianto siano scollegate dalla rete elettrica.

Quando si accende l'impianto audio o si cambia sorgente di riproduzione del suono, impostare il controllo principale del volume a un livello basso. Alzare il volume gradualmente.

MAI azionare l'impianto audio a tutto volume. La posizione del controllo del volume è ingannevole e non indica l'effettivo livello di potenza dell'impianto. Utilizzare il volume a un livello molto elevato può danneggiare l'udito.

1,1. Istruzioni

Leggere e comprendere le presenti istruzioni prima di utilizzare gli altoparlanti. In caso di danni causati dal mancato adempimento alle istruzioni, la garanzia non sarà valida. Conservare le istruzioni in un luogo sicuro.

Leggere le istruzioni.

Conservare le istruzioni.

Prestare attenzione a tutte le avvertenze.

Seguire tutte le istruzioni.

Non utilizzare l'impianto vicino all'acqua.

NON collegare i morsetti dell'altoparlante all'alimentazione.

Non installare nei pressi di fonti di calore, come caloriferi, diffusori di aria calda, fornelli o altre apparecchiature (compresi amplificatori) che producono calore.

Utilizzare solo attacchi/accessori indicati dal produttore.

Scollegare l'impianto durante i temporali o in caso di inutilizzo per periodi di tempo prolungati.

2. Disimballaggio degli altoparlanti



Disimballare completamente gli altoparlanti. Sollevare gli altoparlanti dai cartoni afferrandone le casse. Non utilizzare i sacchetti protettivi per il sollevamento.

Nel maneggiare gli altoparlanti, non trascinarli sul pavimento poiché questo potrebbe causare danni: sollevarli prima di spostarli.

Controllare attentamente gli altoparlanti. Se un articolo risulta danneggiato o mancante, riferirlo al proprio rivenditore il prima possibile.

Conservare l'imballaggio per il trasporto futuro. Qualora si elimini l'imballaggio, si prega di farlo nel rispetto delle norme per il riciclo dei materiali vigenti nel proprio paese.

3. Installazione

- Utilizzare esclusivamente gli accessori forniti in dotazione con il prodotto.
- Al fine di evitare infortuni, l'apparecchiatura deve essere montata saldamente sul pavimento in conformità con le istruzioni di installazione.
- Non utilizzare supporti improvvisati. Montare il supporto Q Acoustics dedicato seguendo le istruzioni ed utilizzare tutti gli elementi di fissaggio forniti. Il vostro rivenditore saprà consigliarvi.
- Se si mettono in funzione gli altoparlanti senza le schermature, fare attenzione a proteggere le unità drive da eventuali danni.
- **NON** smontare l'altoparlante. Diversamente, la garanzia verrà invalidata.
- Non collegare i morsetti dell'altoparlante all'alimentazione.
- Non esporre gli altoparlanti ad eccessivo freddo, calore, umidità o luce del sole.
- L'uso dell'impianto è indicato per climi tropicali e/o temperati.

3,1. Umidità

- Al fine di ridurre il rischio di incendio o scosse elettriche, l'impianto non deve essere esposto a pioggia, umidità, gocce e spruzzi d'acqua.
- Non utilizzare l'impianto vicino all'acqua.

3,2. Manutenzione

Per la manutenzione, richiedere l'assistenza di personale qualificato. La manutenzione è necessaria nel caso in cui il dispositivo venga in qualsiasi modo danneggiato, ad esempio quando vengono versati liquidi sullo stesso, vi sono caduti oggetti all'interno, l'apparecchiatura è stata esposta alla pioggia o all'umidità, la stessa non funziona in modo normale o è caduta.

4,0. Simboli utilizzati sul prodotto

Simbolo di pericolo



Il punto esclamativo richiama l'attenzione su elementi per i quali occorre leggere attentamente

questo manuale al fine di evitare problemi di funzionamento e manutenzione.

ATTENZIONE: Per evitare scosse elettriche, inserire a fondo la spina nella presa di corrente.

Simbolo relativo ai rifiuti di apparecchiature elettriche ed elettroniche

Questo simbolo indica che quando è necessario smaltire l'apparecchiatura, questa deve essere separata da altri rifiuti domestici e consegnata ad apposite strutture di raccolta per il recupero o il riciclaggio di apparecchiature elettriche ed elettroniche.



Assicurarsi di essere a conoscenza delle norme locali relative alla raccolta differenziata di prodotti elettrici ed elettronici.

Introduzione

Grazie per aver acquistato un prodotto Q Acoustics.

Il presente manuale ha lo scopo di guidare l'utilizzatore nell'installazione e configurazione dell'unità e di aiutarlo ad ottenere dal prodotto le prestazioni ottimali.

Si prega di leggere con attenzione le istruzioni, le informazioni e avvertenze importanti per la sicurezza prima di installare e utilizzare il prodotto, in modo da garantirne il funzionamento soddisfacente e in sicurezza.

La serie Q Acoustics 3000i è una gamma di altoparlanti progettati per soddisfare le più elevate aspettative degli amanti degli altoparlanti a due canali e degli appassionati di cinema.

La gamma comprende:

3010i: Altoparlante da scaffale compatto con un bass driver da 100 mm (4 pollici).

3020i: Altoparlante da scaffale con 1 bass driver da 125 mm (5 pollici).

3030i: Altoparlante da scaffale con 1 bass driver da 165 mm (6,5 pollici).

3050i: Altoparlante da pavimento con 2 bass driver da 165 mm (6,5 pollici).

3060S: Subwoofer attivo da 150 Watt con driver da 200 mm (8 pollici).

3090Ci: Canale centrale con bass driver da 2 x 100 mm (4 pollici).

Nella scatola troverete: Uno o più altoparlanti il e manuale del presente prodotto.

Inoltre l'imballo dei seguenti modelli contiene:

3050i: Stabilizzatori posteriori, punte coniche e coperture per punte coniche per ciascun altoparlante.

Una chiave a brugola per regolare le punte coniche una volta montate.

3060S: Uno o più cavi di alimentazione, punte coniche con relative coperture.

Controllare il prodotto attentamente. Se un articolo risulta danneggiato o mancante, riferirlo al proprio rivenditore il prima possibile.

Ci auguriamo che godiate al massimo dell'esperienza Q Acoustics.

Preparazione

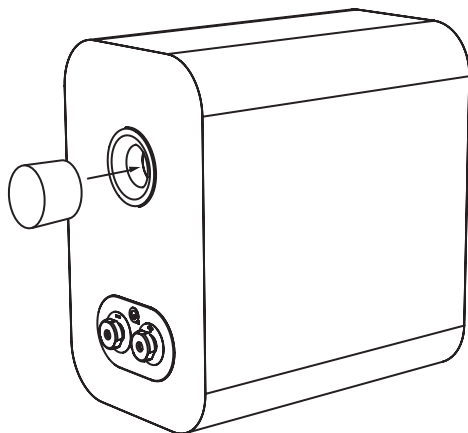


Sollevare gli altoparlanti dai cartoni afferrandone le casse. Non toccare i driver né usare le buste protettive per sfilarli. Gli altoparlanti 3050i e 3060S sono pesanti: chiedere assistenza per sollevarli se necessario.

Inserti di schiuma

Gli altoparlanti della serie 3000i sono dotati di attacchi posteriori e progettati per funzionare al meglio se gli si lascia dello spazio posteriormente, ossia circa 200 mm di distanza dalla parete. Se si posizionano gli altoparlanti vicino a una parete / angolo si dovrebbero apporre gli inserti di schiuma nelle porte posteriori o i toni bassi potrebbero risultare eccessivi.

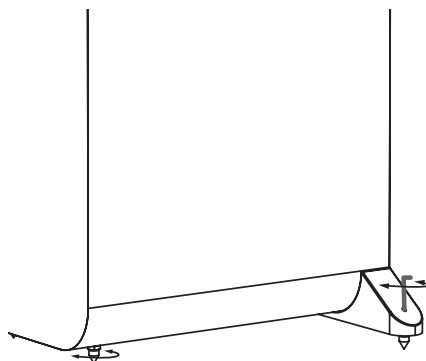
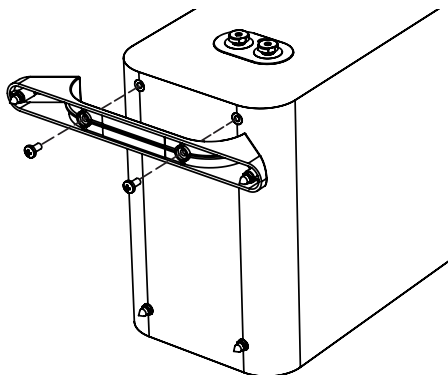
Assicurarsi che gli inserti siano montati saldamente nella porta senza inserirli troppo in profondità. Si noterà che il livello dei bassi è ridotto ma la loro definizione ed estensione è aumentata. Occorre sperimentare in base alle proprie preferenze e provare a fare piccoli cambiamenti nella posizione dell'altoparlante per ottimizzare il risultato finale.



*Le punte coniche sono affilate. Prestare attenzione!
Mai mettere un altoparlante dotato di punte coniche dove può causare danni!
Spostare sempre gli altoparlanti sollevandoli - mai trascinarli!*

3050i - Collegare lo stabilizzatore posteriore

Infilare le punte coniche, dotate di dadi di bloccaggio, a metà nella base e rimettere l'altoparlante in posizione verticale. (Se avete un pavimento in legno o in pietra mettete un disco di protezione sopra ciascuna punta conica prima di rimettere l'altoparlante in posizione verticale). Quando l'altoparlante è posizionato correttamente, inserire la chiave a brugola in ogni punta posteriore dall'alto e regolare tutte le punte coniche dentro e fuori fino a che l'altoparlante non sia a livello e stabile.



Utilizzare le viti fornite per fissare i piedini come mostrato.

Posizionamento



Tutti gli altoparlanti possono funzionare vicino a schermi TV senza effetti negativi, ad eccezione del 3060S, che non dovrebbe essere azionato a una distanza inferiore ai 500 mm da schermi TV o da altre apparecchiature sensibili ai campi magnetici. Schermi al plasma e LCD non subiscono interferenze.

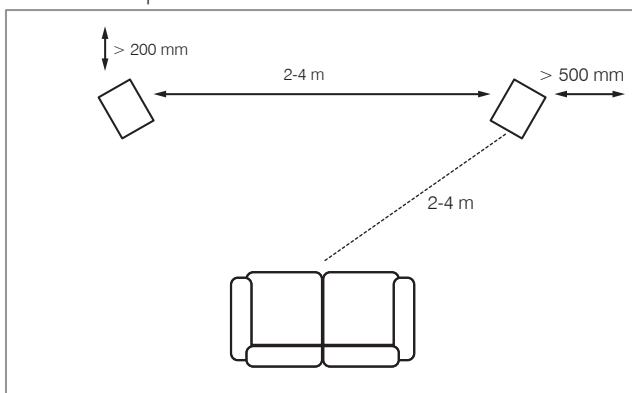
3010i, 3020i e 3030i

Gli altoparlanti 3010i, 3020i e 3030i andrebbero idealmente montati su stativo da pavimento Q Acoustics, 3010i e 3020i a parete. Se si monta a parete, l'unità treble dovrebbe essere all'altezza dell'orecchio dell'ascoltatore seduto. Gli altoparlanti a parete possono essere montati leggermente più in alto, con l'altoparlante angolato verso il basso. Gli altoparlanti montati su stativo dovrebbero essere trattati come altoparlanti da pavimento, salvo che l'altoparlante può essere posizionato un po' più vicino alla parete posteriore. È inoltre possibile il montaggio su mensola.

Presso i rivenditori è disponibile una staffa opzionale progettata specificamente per il montaggio a parete degli altoparlanti Q Acoustics 3010i, 3020i e 3090Ci. Inoltre, sono disponibili stativi da pavimento per i modelli 3010i, 3020i e 3030i. Preparatevi a sperimentare per trovare le impostazioni che più incontrano i vostri gusti nella vostra sala ascolto personale.

3050i

Gli altoparlanti 3050i devono essere posizionati ad almeno 200 mm da una parete posteriore e a 500 mm da una parete laterale. Posizionare gli altoparlanti più vicino al muro aumenterà i bassi ma potrebbe far sì che il suono rimbombi e causare mancanza di precisione e di dettagli. Gli altoparlanti dovrebbero essere distanti da 2 a 4 m fra loro e centrali rispetto all'ascoltatore seduto. Girare gli altoparlanti leggermente in avanti affinerà l'immagine stereo ma può limitare la sorgente acustica.



Subwoofer

Le frequenze basse sono sostanzialmente omnidirezionali. Anche se questo significa che è possibile posizionare il subwoofer quasi ovunque, l'immagine stereo migliorerà posizionando il subwoofer a livello degli altoparlanti frontali e centralmente rispetto alla posizione di ascolto, qualora ciò sia possibile.

Questo può non essere attuabile in un sistema multicanale. Se si posiziona il subwoofer vicino ad una parete, i toni bassi saranno rinforzati, quindi in alcune posizioni i bassi potrebbero rimbombare e risultare indistinti.

Altoparlanti ad effetto

3090Ci

Il modello 3090Ci è stato progettato per funzionare vicino ad uno schermo TV e centrale rispetto ad esso. Deve essere posizionato immediatamente sopra o sotto lo schermo. Se si è in possesso di uno schermo al plasma o LCD, montare il 3090Ci a parete o su un'altra superficie adatta immediatamente sopra o sotto lo schermo utilizzando la staffa a parete Q Acoustics. Se così non fosse, è opportuno considerare di porre la TV su un armadietto con il 3090Ci su di uno scaffale sicuro immediatamente sotto la TV.

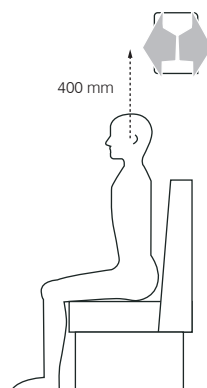


I simboli Dolby e doppia D sono marchi di fabbrica dei laboratori Dolby.

Altoparlanti surround

Queste sono le raccomandazioni provenienti dai laboratori Dolby per gli altoparlanti ad effetto 5.1. Gli altoparlanti surround devono essere montati ad entrambi i lati dell'ascoltatore, leggermente dietro la posizione d'ascolto. Gli altoparlanti dovrebbero essere collocati rivolti verso l'interno, ciascuno montato sulle pareti laterali della stanza o, se la stanza è grande, su un supporto alto e con il loro centro sopra l'altezza dell'orecchio di un ascoltatore seduto.

Per gli altoparlanti posti al di sopra della posizione di ascolto utilizzati nelle installazioni multicanale si raccomanda la gamma Q Acoustics Install.



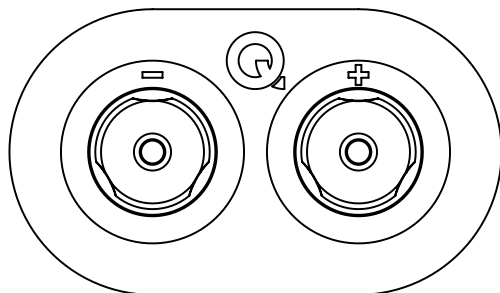
Collegamenti



Prima di effettuare qualsiasi collegamento agli altoparlanti, assicurarsi che tutte le parti attive dell'impianto siano scollegate dalla rete elettrica. Quando si accende l'impianto audio o si cambia sorgente di riproduzione del suono, impostare il controllo principale del volume a un livello basso. Alzare il volume gradualmente.

Morsetti e connettori

I modelli 3010i, 3020i, 3030i, 3050i e 3090Ci hanno in dotazione due crossover a morsetti.



3010i, 3020i, 3030i, 3050i e 3090Ci

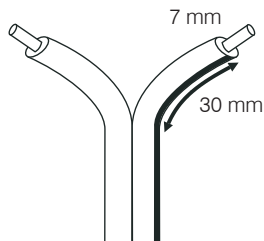
Cavi per altoparlanti

I cavi specifici per altoparlanti offrono una qualità di riproduzione più elevata rispetto ai cavi per usi generici, quali i fili per campanello o per teleferiche. Impiegare cavi ad elevato contenuto di rame per i canali anteriore e centrale. I cavi sottili riducono i toni bassi e limitano la gamma dinamica. I canali surround (posteriori) sono meno critici.

Il cavo per altoparlanti è dotato di una banda o un indicatore lungo uno dei nuclei. Convenzionalmente, questo è collegato ai morsetti positivi. I cavi per collegare l'amplificatore agli altoparlanti anteriori dovrebbero idealmente essere della stessa lunghezza. Mai unire i cavi: utilizzare lunghezze complete.

Preparazione dei cavi

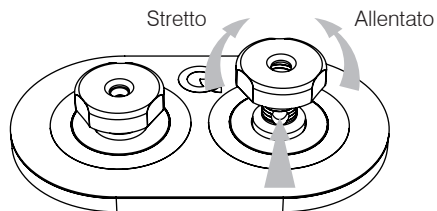
Dividere il cavo per una lunghezza di 40 mm. Scoprire il filo per una lunghezza di 10 mm e attorcigliare le estremità per unire eventuali fili vaganti. Tagliare il cavo lasciando 7 mm di filo scoperto.



Collegamento di un terminale

Svitare il morsetto in senso antiorario per esporre il foro di montaggio posto sulla base della colonna del morsetto.

Inserire nel foro l'estremità scoperta del cavo. Serrare completamente il morsetto a mano. Assicurarsi che non vi siano fili vaganti che possano toccare i morsetti adiacenti. Sul territorio UE utilizzare connettori per altoparlante da 4 mm è contrario alle norme di sicurezza.

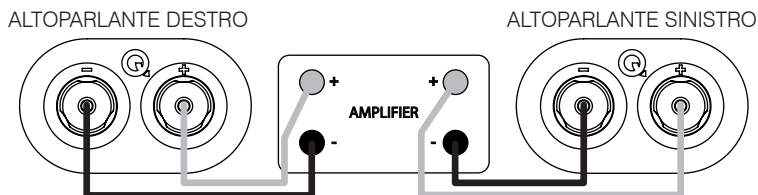


Collegamenti stereo

Collegamenti standard

Collegare il morsetto ROSSO (+) dell'altoparlante DESTRO al morsetto positivo (+) ROSSO sul canale DESTRO dell'amplificatore. Collegare il morsetto NERO (-) dell'altoparlante al corrispondente morsetto negativo (-) NERO dell'amplificatore. Ripetere questa procedura per il canale SINISTRO.

Cablaggio normale:



Manutenzione post-vendita

Cura delle casse



Pulire le casse esclusivamente con un panno leggermente inumidito. Non utilizzare detergenti a base di solventi. Non usare abrasivi di qualsiasi genere.

Le superfici delle casse richiedono normalmente soltanto di essere spolverate delicatamente. In caso di uso di aerosol o altro metodo di pulizia, applicare il pulitore sul panno e non direttamente sul prodotto. Per prima cosa provare su una zona ristretta, poiché alcuni prodotti per la pulizia possono danneggiare la finitura. Evitare prodotti abrasivi o che contengono agenti acidi o alcalini. Non usare materiali di pulizia sulle unità drive ed evitare di toccarle per non danneggiarle.

Schermature

Le schermature devono essere pulite esclusivamente usando una spazzola morbida quando necessario.



Se si utilizza l'altoparlante Q Acoustics senza le schermature, ricordare di sostituirle se sono presenti bambini o animali domestici.

Unità drive

Non toccare le unità drive poiché possono essere danneggiate con facilità se esposte.

Garanzia

Gli altoparlanti passivi di Q Acoustics sono garantiti privi di difetti relativamente ai materiali e alla manodopera per un periodo di 4 anni (1 anno per il subwoofer) dalla data di acquisto. Durante il periodo di garanzia, Q Acoustics potrà, a propria discrezione, riparare o sostituire qualsiasi prodotto dichiarato difettoso in seguito a ispezione da parte della società o del proprio distributore o agente incaricato.

L'uso improprio, il normale deterioramento e l'usura non sono coperti dalla garanzia.

I prodotti da riparare devono innanzitutto essere resi al rivenditore. Se ciò non è possibile, contattare Q Acoustics o il distributore incaricato di zona al fine di determinare la corretta procedura di garanzia. Nei casi in cui sia possibile si consiglia di utilizzare l'imballaggio originale per la restituzione, poiché i danni incorsi durante il trasporto al centro di riparazione non sono coperti dalla garanzia. La garanzia non influenza in alcun modo i diritti legittimi dell'utilizzatore.

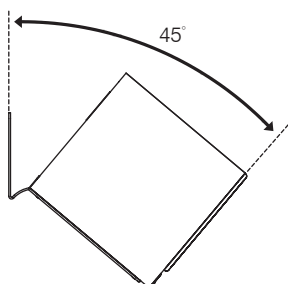
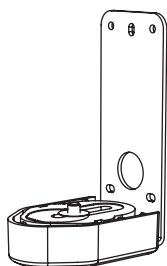
La garanzia può essere estesa ad un periodo di 5 anni (2 anni per il subwoofer) con la registrazione del prodotto su www.qacoustics.co.uk/register.

Per informazioni sulla manutenzione contattare: support@qacoustics.co.uk

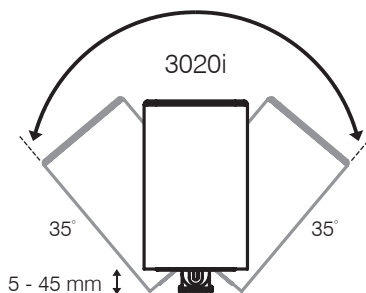
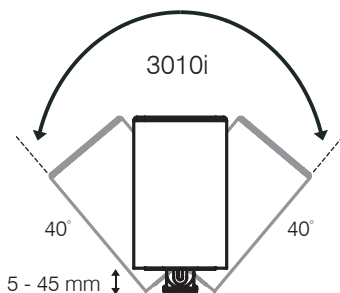
Q Acoustics
Woodside 2
Dunmow Road
Bishops Stortford
Hertfordshire, UK
CM23 5RG

Accessori

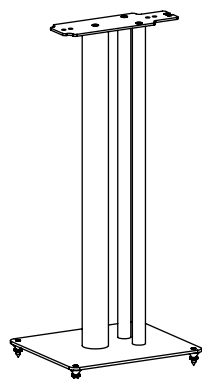
Staffa da parete (singola)
3010i / 3020i / 3090Ci
 Bianco e nero



Dimensioni (LxAxP): 70 x 159 x 99 mm

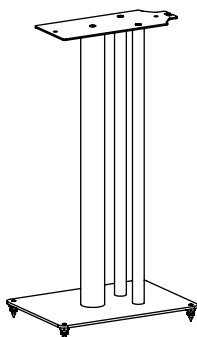


Stativi per altoparlante (coppia)
3010i / 3020i
 Bianco e nero



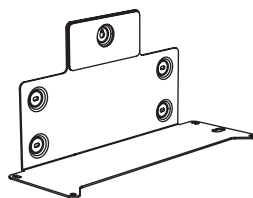
Dimensioni (LxAxP):
 250 x 682 x 290 mm

Stativi per altoparlante (coppia)
3030i
 Bianco e nero



245 x 635 x 340 mm

Staffa da parete per subwoofer
3060S
 Nero



422 x 222 x 163 mm



Altoparlanti passivi

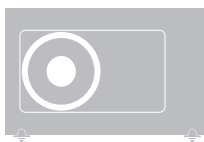
Tipo involucro:
 Unità bassi:
 Unità acuti:
 Risposta in frequenza (+/-3 dB, -6 dB):
 Impedenza media:
 Impedenza minima:
 Sensibilità (2,83v@1m):
 Potenza dell'amplificatore stereo:
 Potenza del ricevitore AV:
 (pilotato da 2 canali)
 Frequenza di crossover:
 Volume utile:
 Dimensioni mobile (LxAxP):
 (inclusi schermature, morsetto e piedi)
 Larghezza custodia:
 Peso (per altoparlante):

3010i

Reflex a 2 vie
 100 mm (4.0 in)
 22 mm (0.9 in)
 65 Hz - 30 kHz
 6 Ω
 4 Ω
 86 dB
 15 - 75 W
 50 - 125 W
 2.6 kHz
 4.0 L (244 cu in)
 150 x 253 x 252 mm
 (5.9 x 10.0 x 10.0 in)
 4.1 kg (9.0 lbs)

3020i

Reflex a 2 vie
 125 mm (5.0 in)
 22 mm (0.9 in)
 64 Hz - 30 kHz
 6 Ω
 4 Ω
 88 dB
 25 - 75 W
 50 - 125 W
 2.4 kHz
 6.1 L (372 cu in)
 170 x 278 x 282 mm
 (6.7 x 11.0 x 11.1 in)
 5.5 kg (12.1 lbs)



Subwoofer attivo

Tipo involucro:
 Unità bassi (mm):
 Potenza amplificatore:
 Risposta in frequenza (+/-3 dB, -6 dB):
 Frequenza di crossover:
 Volume utile:
 Dimensioni mobile (LxAxP):
 Peso:

3060S

Baffle infini
 200 mm (8.0 in)
 150 W Class-D
 35 Hz - 250 Hz
 35 Hz - 250 Hz (var.)
 10.6 L (647 cu in)
 480 x 300 x 150 mm (18.9 x 11.8 x 5.9 in)
 324 mm (12.7 in) incluse le punte coniche
 8.5 kg (18.7 lbs)

**3030i**

Reflex a 2 vie
 165 mm (6.5 in)
 22 mm (0.9 in)
 46 Hz - 30 kHz
 6 Ω
 4 Ω
 88 dB
 25 - 75 W
 50 - 145 W

2.4 kHz
 12.5 L (763 cu in)
 200 x 325 x 329 mm
 (7.9 x 12.8 x 13.0 in)

6.4 kg (14.1 lbs)

**3050i**

Reflex a 2 vie
 2 x 165 mm (6.5 in)
 22 mm (0.9 in)
 44 Hz - 30 kHz
 6 Ω
 4 Ω
 91 dB
 25 - 180 W
 50 - 165 W

2.5 kHz
 32.4 L (1977 cu in)
 310 x 1020 x 310 mm
 (12.2 x 40.1 x 12.2 in)

200 mm (7.9 in)
 17.8 kg (39.2 lbs)

**3090Ci**

Reflex a 2 vie
 2 x 100 mm (4.0 in)
 22 mm (0.9 in)
 75 Hz - 30 kHz
 6 Ω
 4 Ω
 89 dB
 25 - 100 W
 50 - 165 W

2.7 kHz
 6.6 L (403 cu in)
 430 x 152 x 216 mm
 (16.9 x 6.0 x 8.5 in)

6.0 kg (13.2 lbs)



QACOUSTICS.CO.UK

La nostra politica si basa sul continuo miglioramento dei prodotti.
Ci riserviamo il diritto di modificare i modelli e le specifiche senza preavviso.
Questo documento contiene informazioni soggette a modifica senza preavviso

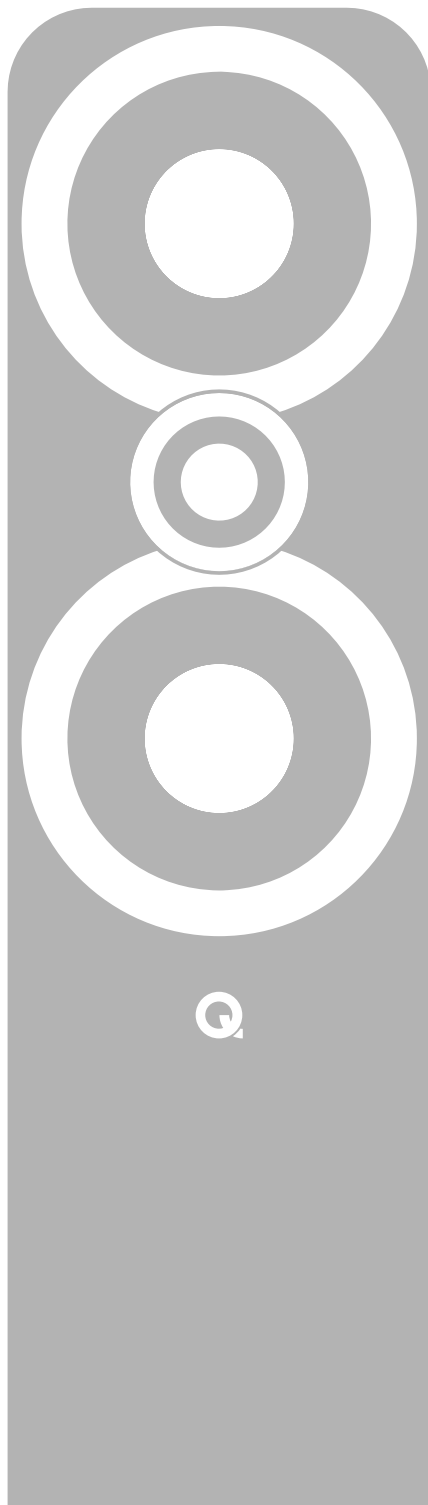


ACOUSTICS

3000i Serie

GEBRUIKERSHANDLEIDING

EN	ENGLISH	01
DE	DUITS	19
ES	SPAANS	37
FR	FRANS	55
IT	ITALIAANS	73
NL	NEDERLANDS	91
PL	POOLS	109
PT	PORTUGEES	127
RU	RUSSISCH	145
SV	ZWEEDS	163
ZH	CHINEES	181



Belangrijke veiligheidsinformatie en waarschuwingen

1. Veiligheidsinformatie en waarschuwingen

Voordat u uw luidsprekers aansluit, dient u ervoor te zorgen dat alle actieve units van uw installatie zijn losgekoppeld van de netspanning.

Als u uw geluidssysteem aanzet of inputbronnen wijzigt, moet u de hoofdvolumeregelaar op een laag niveau zetten. Zet het niveau geleidelijk aan hoger.

Speel uw geluidsinstallatie NOOIT af op maximaal volume. De stand van de volumeregelaar is misleidend en geeft niet het vermogensniveau van de installatie aan. Een zeer hoge volume-instelling kan uw gehoor beschadigen.

1.1. Instructies

Lees en begrijp deze instructies voordat u uw luidsprekers gaat gebruiken. Schade die is ontstaan omdat u deze instructies niet hebt opgevolgd, valt niet onder de garantie. Bewaar deze instructies op een veilige plek.

Lees deze instructies.

Bewaar deze instructies.

Let op alle waarschuwingen.

Volg alle instructies op.

Gebruik dit apparaat niet in de buurt van water.

Sluit de terminals van uw luidsprekers NIET direct aan op het lichtnet.

Installeer ze niet in de buurt van warmtebronnen zoals kachels, warmte-uitlaten, fornuizen of andere apparaten (waaronder versterkers) die warmte produceren.

Gebruik alleen hulpstukken/accessoires die door de fabrikant zijn opgegeven.

Trek de stekker uit het stopcontact bij onweer of wanneer het apparaat gedurende lange tijd niet wordt gebruikt.

2. De luidsprekers uitpakken



Pak de luidsprekers volledig uit. Til de luidsprekers uit de dozen door de kasten vast te houden. Til ze niet op aan de beschermhoezen.

Sleep de luidsprekers bij het verplaatsen niet over de vloer, dit kan schade veroorzaken. Til elke luidspreker op voordat u hem verplaatst.

Controleer de luidspreker zorgvuldig. Als er onderdelen beschadigd zijn of ontbreken, dient u dat zo snel mogelijk aan uw leverancier te melden.

Bewaar de verpakking voor toekomstig vervoer. Als u de verpakking weggooit, volg dan alle geldende recycling-voorschriften.

3. Installatie

- Gebruik alleen de accessoires die met het product zijn meegeleverd.

- Om letsel te voorkomen, dient het product stevig aan de vloer te worden bevestigd conform de installatievoorschriften.

- Gebruik geen zelfgemaakte standaarden. Installeer de speciale standaard van Q Acoustics volgens de instructies en met behulp van eventuele meegeleverde bevestigingen. Uw leverancier kan u adviseren.

- Als u uw luidsprekers gebruikt zonder de roosters, wees dan voorzichtig en bescherm de units tegen schade.

- Demonteer de luidspreker **NIET**. Hiermee vervalt namelijk de garantie.

- Sluit uw luidsprekeraansluitingspunten niet aan op de netspanning.

- Bescherm uw luidsprekers tegen extreme kou, hitte, vocht of zonlicht.

- De luidsprekers zijn geschikt voor gebruik in tropische en/of gematigde klimaten.

3.1. Vocht

- Reduceer het risico op brand of elektrische schokken door de luidsprekers te beschermen tegen regen, vocht, druppels of spetters.

- Gebruik dit apparaat niet in de buurt van water.

3.2. Onderhoud

Laat onderhoud over aan vakbekwaam onderhoudspersoneel. Onderhoud is nodig wanneer het apparaat op enigerlei wijze is beschadigd, als er vloeistof op het apparaat is gemorst, als er voorwerpen in het apparaat zijn gevallen, als het apparaat is blootgesteld aan regen of vocht, als het niet naar behoren functioneert of als het is gevallen.

4.0. Gebruikte symbolen

Waarschuwingssymbool



Het uitroeptekensymbool richt de aandacht op informatie in deze handleiding die u goed moet lezen

om gebruiks- of onderhoudsproblemen te voorkomen.

OPPASSEN: Voorkom een elektrische schok door de brede pin van de stekker volledig in de brede opening van het contact te steken.

Symbool voor afgedankte elektrische en elektronische apparatuur

Dit symbool betekent dat het product gescheiden van ander huishoudelijk afval verwijderd moet worden en naar een apart inzamelpunten voor terugwinning en recycling van elektrische en elektronische apparatuur gebracht dient te worden.



Zorg ervoor dat u vertrouwd bent met de geldende wetgeving inzake de gescheiden inzameling van elektrische en elektronische producten.

Inleiding

Hartelijk dank voor uw aanschaf van een product van Q Acoustics.
Deze handleiding helpt u bij de configuratie en installatie, zodat het product optimaal zal functioneren.

Lees de instructies, de belangrijke veiligheidsinformatie en de waarschuwingen zorgvuldig door vóór de installatie en het gebruik om te zorgen voor een veilige en optimale werking van het product.

De 3000i-serie van Q Acoustics omvat luidsprekers die zijn ontworpen om te voldoen aan de hoogste verwachtingen van liefhebbers van 2-kanaalsgeluid en van films.

De reeks bestaat uit:

3010i: compacte boekenplankluidspreker met een 100 mm woofer.

3020i: boekenplankluidspreker met een 125 mm woofer.

3030i: boekenplankluidspreker met een 165 mm woofer.

3050i: vloerluidspreker met twee 165 mm woofers.

3060S: 150 W actieve subwoofer met een 200 mm driver.

3090Ci: middenkanaal met 2 x 100 mm woofers.

In de doos vindt u de luidspreker(s) en deze gebruikershandleiding.

De verpakking van de volgende modellen bevat bovendien:

3050i: stabilisatiepoot voor de achterkant, kegels en kegelbeschermers voor elke luidspreker, een inbussleutel om de kegels te verstellen zodra ze zijn gemonteerd.

3060S: een netsnoer of -snoeren, kegels en kegelbeschermers.

Controleer het product zorgvuldig. Als er onderdelen beschadigd zijn of ontbreken, dient u dat zo snel mogelijk aan uw leverancier te melden.

We hopen dat u zult genieten van uw ervaring met Q Acoustics.

Vorbereiding

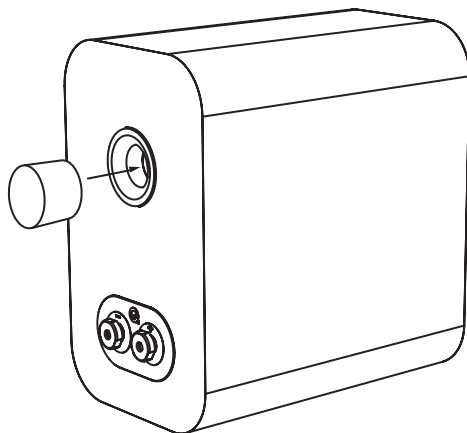


Til de luidsprekers uit de dozen door de kasten vast te houden. Raak de drivers niet aan en gebruik nooit de beschermhoezen om ze op te tillen. De 3050I en 3060S zijn zwaar – vraag zo nodig om hulp als ze verplaatst moeten worden.

Schuimrubberen dop

De luidsprekers uit de 3000i-serie hebben een poort aan de achterkant en werken het beste met wat ruimte erachter – ongeveer 200 mm afstand tot een wand. Als u uw luidsprekers dicht bij een wand/hoek plaatst, moeten de schuimrubberen doppen in de poorten aan de achterkant worden gestopt, zodat er niet te veel bastonen klinken.

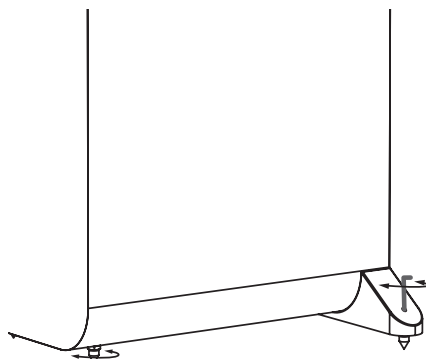
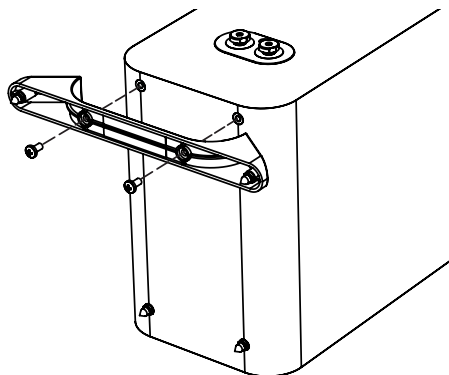
Zorg ervoor dat de doppen goed in de poort passen, zonder ze te ver naar binnen te duwen. U zult horen dat het basniveau afneemt maar de definitie en basweergave worden verhoogd. Experimenteer om te horen waar u de voorkeur aan geeft en probeer kleine veranderingen uit in de positie van de luidspreker om het eindresultaat te optimaliseren.



*De kegels zijn scherp. Wees voorzichtig!
Plaats nooit een luidspreker met kegels op een plek waar hij schade kan veroorzaken!
Verplaats uw luidsprekers altijd door ze op te tillen – versleep ze nooit!*

3050i - Bevestig de stabilisatiepoot voor de achterkant

Schroef de kegels, voorzien van borgmoeren, halverwege in de onderkant en zet de luidspreker weer rechtop. (Als u een houten of stenen vloer hebt, schuif dan een kegelbeschermer over elke kegel voordat u de luidspreker weer rechtop zet). Als de luidspreker weer goed rechtop staat, steekt u de inbussleutel in alle achterste kegels vanaf de bovenkant en verstelt u alle kegels totdat de luidspreker waterpas en stabiel staat.



Gebruik de meegeleverde schroeven om de voetjes vast te zetten, zoals afgebeeld.

Positionering



Alle luidsprekers kunnen dichtbij televisiebeeldschermen worden gebruikt zonder nadelige gevolgen, met uitzondering van de 3060S, die niet mag worden gebruikt binnen 500 mm van televisiebeeldschermen of andere magnetisch gevoelige apparatuur. Plasma- en lcd-schermen worden niet beïnvloed.

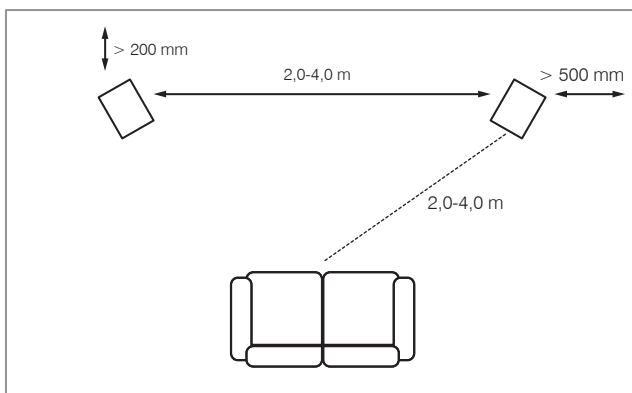
3010i, 3020i en 3030i

Bij voorkeur worden de 3010i, 3020i en 3030i op de vloerstandaarden van Q Acoustics, 3010i en 3020i aan de wand gemonteerd. Als u de luidspreker op een standaard wilt monteren, dient de treble-eenheid zich op oorniveau van een zittende luisteraar te bevinden. Aan de wand gemonteerde luidsprekers kunnen iets hoger worden gemonteerd, met de luidspreker schuin naar beneden gericht. Op een standaard gemonteerde luidsprekers moeten worden behandeld als vloerluidsprekers, behalve dat de luidspreker iets dichterbij de achterwand kan worden geplaatst. Montage op een plank is ook mogelijk.

Een optionele beugel die speciaal is ontworpen om de Q Acoustics 3010i, 3020i en 3090Ci aan de wand te monteren, is verkrijgbaar bij uw leverancier. Vloerstandaarden voor de 3010i, 3020i en 3030i zijn ook verkrijgbaar. U moet experimenteren om de beste opstelling in uw specifieke luisterruimte te vinden.

3050i

De 3050i-luidsprekers moeten op een afstand van ten minste 200 mm tot een achterwand en ten minste 500 mm tot de zijwanden worden geplaatst. Als u de luidsprekers dichterbij de wanden plaatst, worden de bastonen versterkt, maar kan het geluid gaan dreunen, met als gevolg een gebrek aan precisie en detail. De luidsprekers moeten ten minste op 2-4 meter afstand van elkaar staan en centraal worden neergezet ten opzichte van de zittende luisteraar. Als u de luidsprekers iets naar binnen draait, wordt het stereobeeld verscherpt, maar kan de geluidsbron worden versmald.



Subwoofer

Basfrequenties zijn nagenoeg omni-directioneel. Hoewel dit betekent dat u de subwoofer vrijwel overal kunt plaatsen, zal het stereobeeld er nog steeds van profiteren als de subwoofer op hetzelfde niveau

wordt geplaatst als de voorluidsprekers en zo centraal mogelijk bij de luisterpositie. Dit is soms niet mogelijk bij een meerkanaalsinstallatie. Als u de subwoofer te dicht bij een wand plaatst, wordt de bas versterkt. De bas kan daarom op sommige plekken dreunend en onduidelijk klinken.

Effectluidsprekers

3090Ci

De 3090Ci is ontworpen om dichtbij en centraal ten opzichte van een televisiescherm te worden gebruikt. De luidspreker moet direct boven of onder het scherm worden geplaatst. Als u een plasma- of lcd-beeldscherm hebt, monteert u de 3090Ci aan de wand of op een ander geschikt oppervlak met de Q Acoustics-wandbeugel, direct boven of onder het scherm. Indien u dit niet hebt, overweeg dan om de tv op een kast te plaatsen waarbij u de 3090Ci op een stevige plank direct onder de tv plaatst.

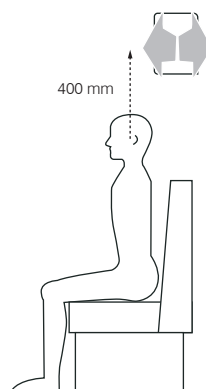


Dolby en het dubbel-D-symbool zijn handelsmerken van Dolby Laboratories.

Surroundluidsprekers

Dit zijn de aanbevelingen van Dolby Labs voor 5.1-effectluidsprekers. Surroundluidsprekers moeten aan beide kanten van de luisteraar worden gemonteerd, iets achter de luisterpositie. De luidsprekers moeten naar binnen worden gericht, hetzij gemonteerd tegen de zijwanden van de kamer, hetzij, als de kamer groot is, op hoge standaarden en met het midden boven het oorniveau van een zittende luisteraar.

Voor plafondluidsprekers in meerkanaals-opstellingen, raden wij de Installatie van Q Acoustics aan.



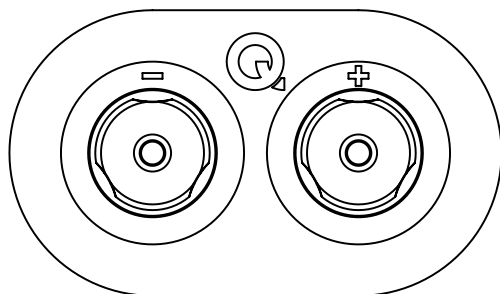
Aansluitingen



Voordat u uw luidsprekers aansluit, dient u ervoor te zorgen dat alle actieve units van uw installatie zijn losgekoppeld van de netspanning. Als u uw geluidssysteem aanzet of inputbronnen wijzigt, moet u de hoofdvolumeregelaar op een laag niveau zetten. Zet het niveau geleidelijk aan hoger.

Aansluitingspunten en verbindingen

De 3010i, 3020i, 3030i, 3050i en 3090Ci hebben standaard crossovers met twee aansluitingspunten.



3010i, 3020i, 3030i, 3050i en 3090Ci

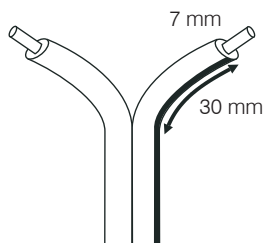
Luidsprekerkabels

Speciale luidsprekerkabels bieden een betere geluidswaergave dan standaard kabels. Gebruik kabels met een royale hoeveelheid koper voor de voor- en middenkanalen. Dunne kabels verminderen de bastonen en beperken het dynamische bereik. Surroundkanalen (achter) zijn minder kritiek.

Een luidsprekerkabel heeft een streep of indicator aan de binnenkant. Gewoonlijk wordt hij aangesloten op de positieve terminals. De kabels waarmee de versterker op de voorste luidsprekers wordt aangesloten, hebben bij voorkeur dezelfde lengte. Sluit nooit meerdere kabels op elkaar aan – gebruik kabels uit één stuk.

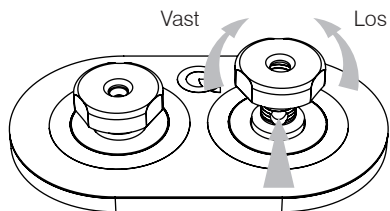
Kabels voorbereiden

Splits de kabel tot een diepte van ongeveer 40 mm. Strip de kabel tot 10 mm diep en draai de uiteinden vast om losse draden te bundelen. Snijd de kabel af zodat 7 mm kale draad wordt blootgelegd.



Een aansluitingspunt verbinden

Schroef de terminal naar links los, zodat het montagegat aan de onderkant van de terminalkolom vrijkomt.



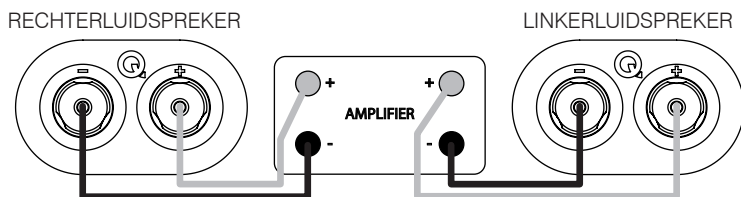
Steek het kale uiteinde van de kabel in het gat. Draai de terminal met de hand weer volledig vast. Zorg dat er geen losse draden zijn die naastgelegen terminals kunnen raken. De EU-veiligheidsvoorschriften staan het gebruik van luidsprekerstekkers van 4 mm niet toe.

Stereoaansluitingen

Stereoaansluitingen

Sluit het RODE (+) aansluitingspunt van de RECHTERLUIDSPREKER aan op het RODE, positieve (+) aansluitingspunt op het RECHTERKANAAL van de versterker. Sluit het ZWARTE (-) aansluitingspunt van de luidspreker aan op het overeenkomende ZWARTE, negatieve (-) aansluitingspunt van de versterker. Herhaal deze procedure voor het LINKERKANAAL.

Standaardbedrading:



Nazorg

Onderhoud van de kast



Reinig de kasten alleen met een licht bevochtigde doek. Gebruik geen reinigers met oplosmiddelen. Gebruik nooit schuurmiddelen.

De kastoppervlakken hoeven meestal alleen afgestoft te worden. Als een spuitbus of een ander reinigingsmiddel gebruikt moet worden, brengt u het reinigingsmiddel eerst op de doek aan, niet direct op de kast. Test het reinigingsmiddel eerst op een klein hoekje, omdat sommige reinigingsmiddelen de afwerking aantasten. Gebruik geen schurende reinigingsmiddelen of middelen die zure of basische stoffen bevatten. Gebruik nooit reinigingsmiddelen op de drivers en raak ze niet aan, omdat ze daardoor beschadigd zullen raken.

Roosters

De rooster kunnen zo nodig met een zachte borstel worden schoongemaakt.



Als u de luidspreker van Q Acoustics zonder roosters hebt gebruikt, dient u de roosters weer aan te brengen als er huisdieren of kinderen in de kamer aanwezig zijn.

Drivers.

Raak de drivers niet aan, omdat ze snel beschadigd raken.

Garantie

De passieve luidsprekerproducten van Q Acoustics zijn gegarandeerd vrij van materiaal- en vakmanschapsdefecten gedurende een periode van 4 jaar (1 jaar voor de subwoofer) vanaf de aankoopdatum. Tijdens de garantieperiode zal Q Acoustics naar eigen goeddunken een product repareren of vervangen als het na inspectie door het bedrijf, of een aangestelde distributeur of vertegenwoordiger, defect is gebleken.

Verkeerd gebruik en normale slijtage vallen niet onder de garantie.

Goederen ter reparatie moeten in de eerste instantie worden teruggestuurd naar de leverancier die het product verstrekt heeft. Is dit niet mogelijk, neem dan contact op met Q Acoustics of de door Q Acoustics aangestelde distributeur in uw regio om de juiste garantieprocedure te bepalen. Gebruik indien mogelijk de oorspronkelijke verpakking om het product terug te sturen, aangezien schade tijdens het transport naar het reparatiecentrum niet door de garantie wordt gedekt. De garantie is op geen enkele wijze van invloed op uw wettelijke rechten.

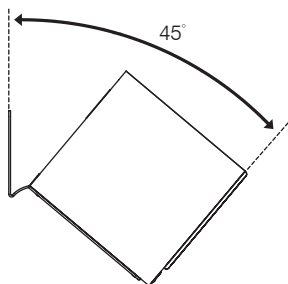
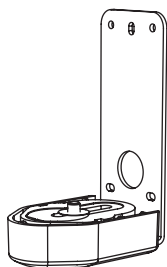
De garantie kan tot 5 jaar worden verlengd (2 jaar voor de subwoofer) door het product te registreren op www.qacoustics.co.uk/register.

Neem voor onderhoudsinformatie contact op met: support@qacoustics.co.uk

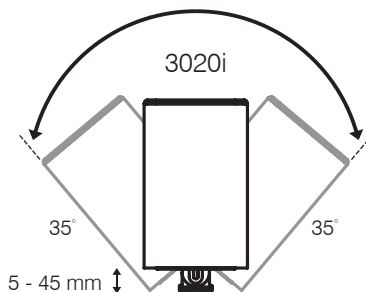
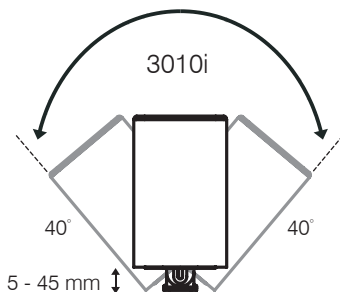
Q Acoustics
Woodside 2
Dunmow Road
Bishops Stortford
Hertfordshire, UK
CM23 5RG

Accessoires

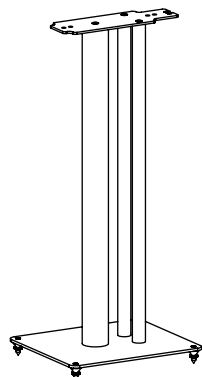
Wandbeugel (1 stuk)
 3010i / 3020i / 3090Ci
 Zwart en wit



Afmetingen (B×H×D): 70 x 159 x 99 mm

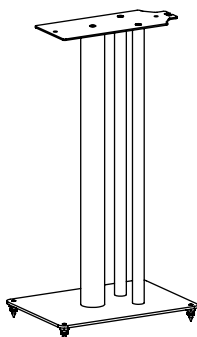


Luidsprekerstandaard
 (2 stuks)
 3010i / 3020i
 Zwart en wit



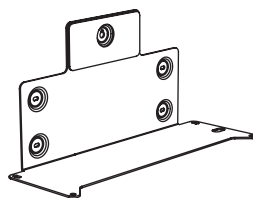
Afmetingen (B×H×D):
 250 x 682 x 290 mm

Luidsprekerstandaard
 (2 stuks)
 3030i
 Zwart en wit



245 x 635 x 340 mm

Muurbeugel voor
 subwoofer
 3060S
 Zwart



422 x 222 x 163 mm

Specificaties

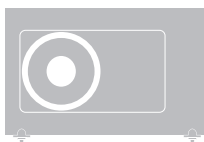
Passieve luidsprekers

Behuizingstype:	3010i 2-wegsreflex	3020i 2-wegsreflex
Baseenheid:	100 mm (4.0 in)	125 mm (5.0 in)
Treble-eenheid:	22 mm (0.9 in)	22 mm (0.9 in)
Frequentierespons (+/-3 dB, -6 dB):	65 Hz - 30 kHz	64 Hz - 30 kHz
Gemiddelde impedantie:	6 Ω	6 Ω
Minimale impedantie:	4 Ω	4 Ω
Gevoeligheid (2,83 v op 1 m):	86 dB	88 dB
Stereo-versterkervermogen:	15 - 75 W	25 - 75 W
AV-ontvanger (2 kanalen):	50 - 125 W	50 - 125 W
Crossoverfrequentie:	2.6 kHz	2.4 kHz
Effectief volume:	4.0 L (244 cu in)	6.1 L (372 cu in)
Afmetingen van de kast (B x H x D mm):	150 x 253 x 252 mm (5.9 x 10.0 x 10.0 in)	170 x 278 x 282 mm (6.7 x 11.0 x 11.1 in)
(incl. rooster, terminal en voetjes)		
Behuizing breedte:		
Gewicht (per spreker):	4.1 kg (9.0 lbs)	5.5 kg (12.1 lbs)



Actieve subwoofer

Behuizingstype:	3060S Open klankkast
Baseenheid:	200 mm (8.0 in)
Versterkervermogen:	150 W Class-D
Frequentierespons (+/-3 dB, -6 dB):	35 Hz - 250 Hz
Crossover-frequentie:	35 Hz - 250 Hz (var.)
Effectief volume:	10.6 L (647 cu in)
Afmetingen van de kast (BxHxD):	480 x 300 x 150 mm (18.9 x 11.8 x 5.9 in) 324 mm (12.7 in) incl. kegels
Gewicht:	8.5 kg (18.7 lbs)





3030i

2-wegsreflex
 165 mm (6.5 in)
 22 mm (0.9 in)
 46 Hz - 30 kHz
 6 Ω
 4 Ω
 88 dB
 25 - 75 W
 50 - 145 W
 2.4 kHz
 12.5 L (763 cu in)
 200 x 325 x 329 mm
 (7.9 x 12.8 x 13.0 in)
 6.4 kg (14.1 lbs)



3050i

2-wegsreflex
 2 x 165 mm (6.5 in)
 22 mm (0.9 in)
 44 Hz - 30 kHz
 6 Ω
 4 Ω
 91 dB
 25 - 180 W
 50 - 165 W
 2.5 kHz
 32.4 L (1977 cu in)
 310 x 1020 x 310 mm
 (12.2 x 40.1 x 12.2 in)
 200 mm (7.9 in)
 17.8 kg (39.2 lbs)



3090Ci

2-wegsreflex
 2 x 100 mm (4.0 in)
 22 mm (0.9 in)
 75 Hz - 30 kHz
 6 Ω
 4 Ω
 89 dB
 25 - 100 W
 50 - 165 W
 2.7 kHz
 6.6 L (403 cu in)
 430 x 152 x 216 mm
 (16.9 x 6.0 x 8.5 in)
 6.0 kg (13.2 lbs)



QACOUSTICS.CO.UK

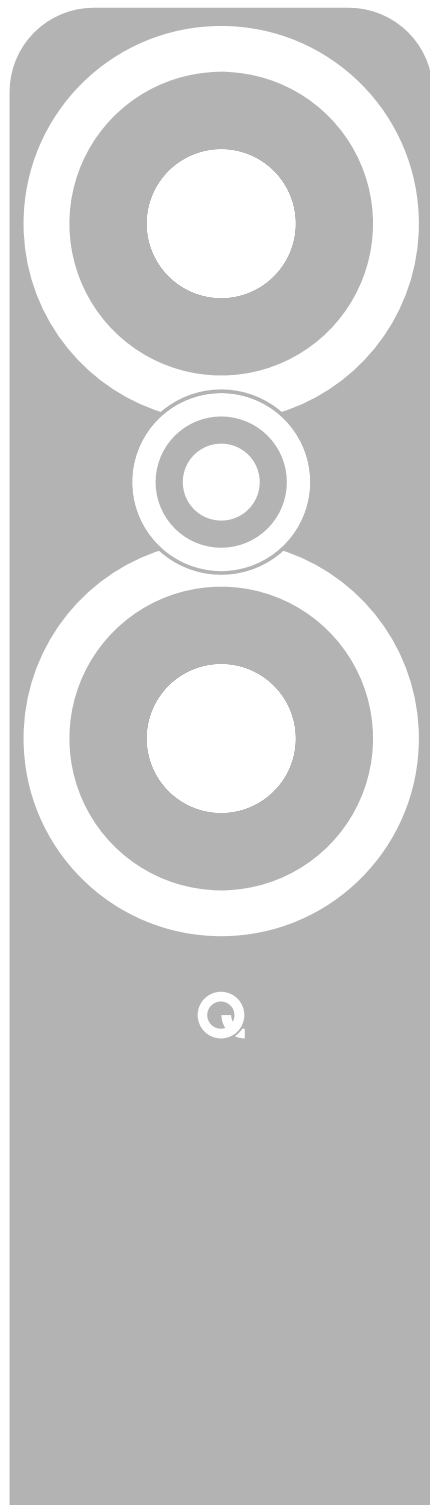
Ons beleid is gericht op voortdurende productverbetering.
Wij behouden ons het recht voor om het ontwerp en de specificaties van onze producten zonder voorafgaande kennisgeving te wijzigen.
Dit document bevat informatie die zonder voorafgaande kennisgeving gewijzigd kan worden.



Seria 3000i

INSTRUKCJA OBSŁUGI

EN	ENGLISH	01
DE	NIEMIECKI	19
ES	HISZPAŃSKI	37
FR	FRANCUSKI	55
IT	WŁOSKI	73
NL	HOLENDERSKI	91
PL	POLSKI	109
PT	PORTUGALSKI	127
RU	ROSYJSKI	145
SV	SZWEDZKI	163
ZH	CHIŃSKI	181



Ważne informacje dotyczące bezpieczeństwa i ostrzeżenia

1. Informacje dotyczące bezpieczeństwa i ostrzeżenia

Przed wykonaniem jakichkolwiek podłączeń do głośników upewnij się, że wszystkie aktywne elementy systemu są odłączone od zasilania.

Przed włączeniem systemu dźwiękowego albo zmianą źródła wejściowego ustaw główny regulator głośności na niski poziom. Stopniowo zwiększaj głośność.

NIGDY nie używaj systemu z maksymalnym ustawieniem głośności. Położenie regulatora głośności nie jest miarodajne i nie oznacza ustawionego poziomu głośności systemu. Używanie systemu z bardzo wysokimi ustawieniami głośności może spowodować uszkodzenie słuchu.

1.1. Instrukcje

Należy zapoznać się z niniejszymi instrukcjami przed rozpoczęciem użytkowania głośników. Jeśli uszkodzenie jest spowodowane nieprzestrzeganiem niniejszych instrukcji, gwarancja nie będzie obowiązywać. Niniejszą instrukcję należy przechowywać w bezpiecznym miejscu.

Przeczytaj te instrukcje.

Zachowaj te instrukcje.

Przestrzegaj wszystkich ostrzeżeń.

Stosuj się do wszystkich instrukcji.

Nie używaj tego urządzenia w pobliżu wody.

NIE podłączaj styków głośnika do zasilania.

Nie instaluj tego urządzenia w pobliżu źródeł ciepła takich jak grzejniki, nawiewy ciepłego powietrza, kuchenki lub inne urządzenia (w tym wzmacniacze), które wytwarzają ciepło.

Używaj wyłącznie urządzeń dodatkowych / akcesoriów określonych przez producenta.

Odcłaczaj to urządzenie podczas burzy oraz gdy ma być nieużywane przez dłuższy czas.

2. Rozpakowywanie głośników



Rozpakuj całkowicie głośniki. Wyjmij głośniki z opakowań, trzymając za obudowy. Nie należy podnosić głośników, trzymając za worki ochronne.

Podczas przemieszczania głośników nie ciągnij ich po podłodze, gdyż może to spowodować

ich uszkodzenie – podnieś każdy z nich przed przemieszczeniem.

Sprawdź dokładnie głośniki. Jeśli brakuje jakichkolwiek elementów lub są one uszkodzone, zgłoś niezwłocznie ten fakt sprzedawcy.

Zachowaj opakowanie w celu umożliwienia transportowania w przyszłości. W razie utylizacji opakowania zastosuj się do wszystkich obowiązujących przepisów w zakresie recyklingu odpadów.

3. Instalacja

- Stosuj wyłącznie akcesoria dostarczone z produktem.

- Aby zapobiec urazom, niniejsze urządzenie wymaga pewnego zamontowania na podłodze zgodnie z instrukcją instalacji.

- Nie używaj prowizorycznych statywów. Zamontuj dedykowany statyw Q Acoustics zgodnie z instrukcją oraz z użyciem dostarczonych elementów montażowych. Porady w tej kwestii może udzielić sprzedawca.

- W przypadku używania głośników bez zamontowanych osłon ochronnych uważaj, aby nie uszkodzić driverów.

- **NIE** rozmontowuj głośnika. Spowoduje to unieważnienie gwarancji.

- Nie podłączaj styków głośnika do źródła zasilania prądem przemiennym.

- Nie narażaj głośników na działanie zbyt niskich albo zbyt wysokich temperatur, wilgoci albo światła słonecznego.

- Korzystanie z tego urządzenia jest wskazane w klimacie tropikalnym i/lub umiarkowanym.

3.1. Wilgoć

- Aby zmniejszyć zagrożenie pożarem lub porażeniem prądem, urządzenia nie należy wystawiać na działanie deszczu, wilgoci, kapiącej lub rozbryzgiwanej wody.

- Nie używaj tego urządzenia w pobliżu wody.

3.2. Serwisowanie

Wszystkie czynności serwisowe powierzaj wykwalifikowanemu personelowi serwisowemu. Serwis jest konieczny, gdy urządzenie zostanie w jakikolwiek sposób uszkodzone, np. przez rozlanie cieczy lub upadek przedmiotów na urządzenie,

wystawienie urządzenia na działanie deszczu lub wilgoci, gdy urządzenie nie działa prawidłowo albo zostało upuszczone.

4.0. Symbole stosowane na produkcie

Symbol ostrzeżenia o niebezpieczeństwie



Wykrzyknik zwraca uwagę na kwestie, w przypadku których należy dokładnie zapoznać się z niniejszą instrukcją, aby zapobiec problemom z eksploatacją i konserwacją.

UWAGA: Aby zapobiec porażeniu prądem, ustaw naprzeciw siebie szeroki bolec wtyczki z szerokim gniazdem i wprowadź do oporu.

Symbol zużytego sprzętu elektrycznego i elektronicznego

Ten symbol sygnalizuje, że po wycofaniu urządzenia z eksploatacji nie należy go poddawać utylizacji razem z odpadami komunalnych i należy wysłać go do oddzielnych punktów odbiorczych przeznaczonych dla odpadów do przeróbki i recyklingu sprzętu elektrycznego i elektronicznego.



Należy zapoznać się z lokalnymi zasadami oddzielnej zbiórki produktów elektrycznych i elektronicznych.

Wprowadzenie

Dziękujemy za zakup produktu Q Acoustics.

Ta instrukcja zawiera informacje na temat ustawiania i instalacji w celu zapewnienia optymalnej wydajności działania produktu.

W celu zapewnienia bezpiecznej i satysfakcjonującej eksploatacji produktu przed przystąpieniem do jego instalacji i użytkowania, przeczytaj dokładnie instrukcję i ważne informacje dotyczące bezpieczeństwa oraz ostrzeżenia.

Urządzenia Q Acoustics serii 3000i to gama głośników stworzonych z myślą o zaspokojeniu najwyższych oczekiwań audiofilów ceniących 2-kanałowy dźwięk oraz wymagających kinomanów.

Gama obejmuje:

3010i: Kompaktowy głośnik półkowy z driverem basowym 100 mm (4 cale).

3020i: Głośnik półkowy z driverem basowym 125 mm (5 cali).

3030i: Głośnik półkowy z driverem basowym 165 mm (6.5 cali).

3050i: Głośnik podłogowy z 2 driverami basowymi 165 mm (6,5 cala).

3060S: Aktywny głośnik niskotonowy (subwoofer) 150 W z dwoma 200 mm driverami (8,0 cali).

3090Ci: Kanał środkowy z 2 driverami basowymi 100 mm (4 cale).

W opakowaniu każdego głośnika znajdują się: głośnik / głośniki oraz ten podręcznik.

Dodatkowo, w opakowaniu następujących modeli znajdują się wymienione poniżej elementy:

3050i: Stabilizator tylny, podpórki i osłony podpórek dla każdego głośnika. Klucz imbusowy do regulacji podpórek po zamontowaniu.

3060S: Kabel lub kable zasilania, podpórki i osłony podpórek.

Sprawdź dokładnie produkt. Jeśli brakuje jakichkolwiek elementów lub są one uszkodzone, możliwie jak najszybciej zgłoś ten fakt sprzedawcy.

Mamy nadzieję, że produkty Q Acoustic dostarczą Państwu niezapomnianych wrażeń.

Przygotowanie

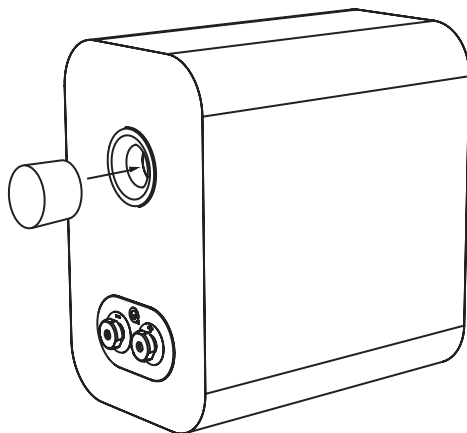


Wymij głośniki z opakowań, trzymając za obudowy. Nie dotykaj driverów ani nie podnoś głośników za opakowania ochronne. Głośniki 3050i i 3060S są ciężkie – w razie potrzeby skorzystaj z pomocy w celu ich podniesienia.

Tłumik piankowy

Głośniki serii 3000i posiadają wyloty z tyłu i zostały zaprojektowane z myślą o zapewnieniu pewnej przestrzeni za nimi, to znaczy odległości około 200 mm od ściany. W przypadku umieszczenia głośników blisko ściany/narożnika włóż do tylnych wylotów tłumiki piankowe, aby zapobiec nadmiernej intensywności dźwięków niskotonowych.

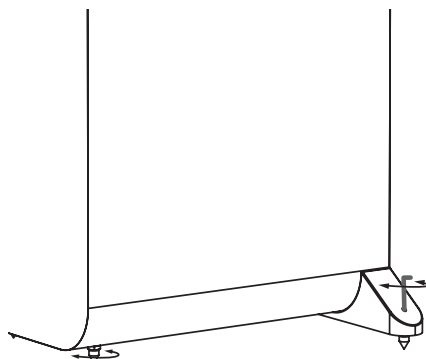
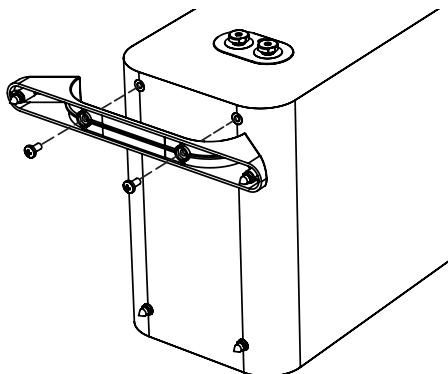
Upewnij się, że tłumiki są pewnie, ale niezbyt głęboko włożone do wylotów. Poziom dźwięków niskotonowych zostanie ograniczony, ale ich definicja i zakres poprawi się. Wykonaj próby, zmieniając nieco ustawienie głośników, tak aby uzyskać optymalne rezultaty odpowiadające indywidualnym preferencjom.



Podpórki są ostre. Zachowaj ostrożność!
Nigdy nie ustawiaj głośnika z podpórkami w miejscu, w którym mógłby spowodować uszkodzenia!
Zawsze podnoś głośniki przed ich przemieszczeniem – nigdy nie ciągnij głośników!

3050i – Zamocuj tylny stabilizator

Wkręć podpórki z nakrętkami blokującymi do połowy w podstawę i ustaw głośnik pionowo. (W przypadku posiadania drewnianej lub kamiennej podłogi załóż osłonę podpórki na każdą podpórkę przed ustawieniem głośnika pionowo) Po ustawieniu głośnika pionowo włóż klucz imbusowy po kolei od góry do każdej tylnej podpórki i wyreguluj podpórki, wkręcając lub wykręcając je, aż głośnik będzie ustawiony poziomo i stabilnie.



Zamocuj nóżki za pomocą dostarczonych śrub.

Ustawianie



Wszystkie głośniki mogą być użytkowane bez negatywnych efektów w pobliżu tradycyjnych telewizorów, z wyjątkiem modelu 3060S, którego nie wolno użytkować w odległości mniejszej niż 500 mm od telewizorów lub innych urządzeń wrażliwych na działanie pola elektromagnetycznego. Żaden z modeli głośników nie wpływa na działanie ekranów LCD i plazmowych.

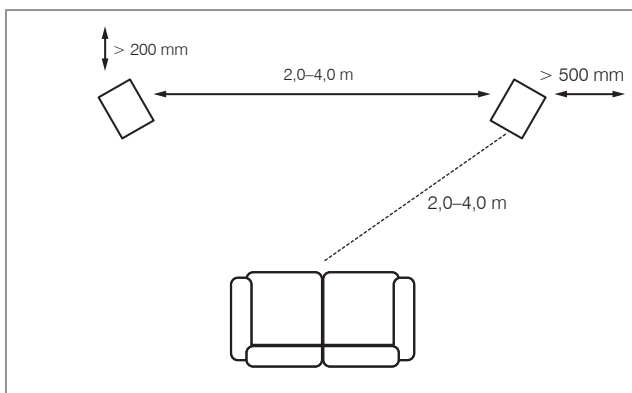
3010i, 3020i i 3030i

Głośniki 3010i, 3020i i 3030i najlepiej jest montować na statywach podłogowych Q Acoustics, 3010i i 3020i albo na ścianie. W przypadku montażu na statywie należy kierować się wskazówką, zgodnie z którą głośnik wysokotonowy powinien się znajdować na wysokości uszu siedzącego słuchacza. W przypadku montażu na ścianie głośniki powinny być zamontowane nieco wyżej i nachylone w dół. Głośniki montowane na statywie należy traktować jak głośniki podłogowe, jednak takie głośniki można ustawić nieco bliżej tylnej ściany. Możliwy jest również montaż na półce.

U sprzedawców dostępny jest opcjonalny wspornik, służący do montażu głośników Q Acoustics 3010i, 3020i i 3090Ci na ścianie. Dostępne są również statywy podłogowe do głośników 3010i, 3020i i 3030i. W celu ustalenia najlepszego ustawienia, odpowiadającego własnym upodobaniom i konkretnej przestrzeni, należy wykonać próby.

3050i

Głośniki 3050i należy ustawić w odległości co najmniej 200 mm od ściany tylnej i 500 mm od ścian bocznych. Umieszczenie głośników bliżej ścian wzmocni dźwięki niskotonowe, ale spowoduje dudnienie oraz utratę precyzji dźwięku. Głośniki powinny być ustawione 2–4 m od siebie i w równej odległości od siedzącego centralnie słuchacza. Zwrócenie głośników nieco do siebie wzmocni efekt stereo, ale może spowodować zwężenie źródła dźwięku.



Głośnik niskotonowy

Częstotliwości niskotonowe są zasadniczo wielokierunkowe. Chociaż oznacza to, że można ustawić głośnik niskotonowy właściwie w dowolnym miejscu, efekt stereo będzie lepszy, jeśli zostanie on ustawiony na tej samej wysokości, co przednie głośniki i możliwie centralnie w stosunku do słuchacza. Takie ustawienie

może być niewykonalne w systemie wielokanałowym. W przypadku ustawienia głośnika niskotonowego blisko ściany dźwięki niskotonowe zostaną wzmocnione, przez co w niektórych pomieszczeniach mogą one dudnić i być niewyraźne.

Głośniki do efektów

3090Ci

Głośnik 3090Ci został zaprojektowany z myślą o pracy w pobliżu telewizora i centralnie w stosunku do niego. Powinien się on znajdować bezpośrednio nad albo pod ekranem. W przypadku posiadania telewizora plazmowego lub LCD należy zamontować głośnik 3090Ci do ściany albo innej odpowiedniej powierzchni bezpośrednio nad albo pod ekranem za pomocą wspornika ściennego Q-Acoustics. W innym przypadku można umieścić telewizor na szafce z głośnikiem 3090Ci, ustawionej na stabilnej półce bezpośrednio pod telewizorem.

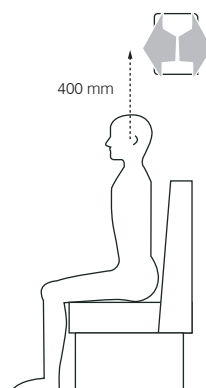


Dolby oraz symbol podwójnego D to znaki towarowe firmy Dolby Laboratories.

Głośniki do dźwięku przestrzennego

Firma Dolby stworzyła zalecenia odnośnie do ustawienia głośników do efektów 5.1. Głośniki do dźwięku przestrzennego powinny być zamontowane z obu stron słuchacza, nieco z tyłu. Głośniki powinny być zwrócone do wewnątrz i zamontowane albo na ścianach bocznych pomieszczenia, albo – jeśli pomieszczenie jest duże – na wysokich statywach, tak aby ich środkowe części znajdowały się powyżej uszu siedzącego słuchacza.

W przypadku głośników montowanych nad głową stosowanych w instalacjach wielokanałowych zalecamy zastosowanie gamy Q Acoustics Install.



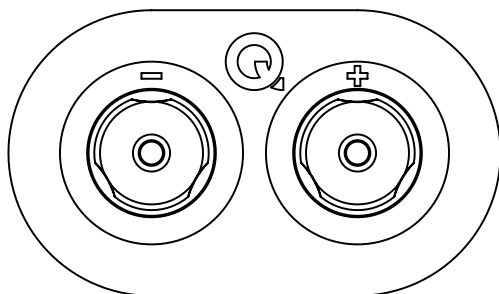
Podłączenia



Przed wykonaniem jakichkolwiek podłączeń do głośników upewnij się, że wszystkie aktywne elementy systemu są odłączone od zasilania. Przed włączeniem systemu dźwiękowego albo zmianą źródła wejściowego ustaw główny regulator głośności na niski poziom. Stopniowo zwiększaj głośność.

Styki i złącza

Głośniki 3010i, 3020i, 3030i, 3050i i 3090Ci są wyposażone w standardowe dwustykowe zwrotnice.



3010i, 3020i, 3030i, 3050i i 3090Ci

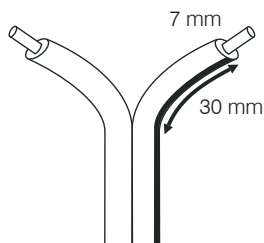
Kable głośnikowe

Specjalne kable głośnikowe zapewnią wyższą jakość reprodukcji dźwięku niż typowe kable ogólnego przeznaczenia. Do kanałów przednich i środkowego należy używać kabli zawierających duże ilości miedzi. Cienkie kable ograniczają poziom basów i zakres dynamiczny. Kanały do dźwięku przestrzennego (tyłne) mają mniej krytyczne znaczenie.

Kabel głośnikowy posiada prążki lub znacznik na jednej z żył. Zgodnie z zasadą tę żyłę podłącza się do styków dodatnich. Kable łączące wzmacniacz z głośnikami przednimi powinny być tej samej długości. Nigdy nie łącz kabli – używaj jednolitych odcinków.

Przygotowanie kabli

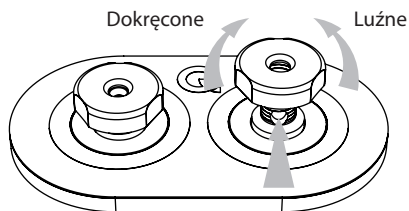
Rozdziel żyły kabla na długości około 40 mm. Odsłoń żyły na długości około 10 mm i skręć końcówki w celu zebrania wszystkich odstających drucików. Przytnij kabel, pozostawiając 7 mm odsłoniętych żył.



Podłączanie do styku

Odkręć styk w kierunku przeciwnym do ruchu wskazówek zegara w celu odsłonięcia otworu montażowego w podstawie kolumny styku.

Wsuń odsłonięty koniec żyły do otworu. Mocno dokręć styk ręcznie. Upewnij się, że nie występują odstające druciki, które mogłyby dotykać sąsiednich styków. Na terenie Unii Europejskiej używanie wtyczek głośnikowych 4 mm jest niezgodne z przepisami bezpieczeństwa.

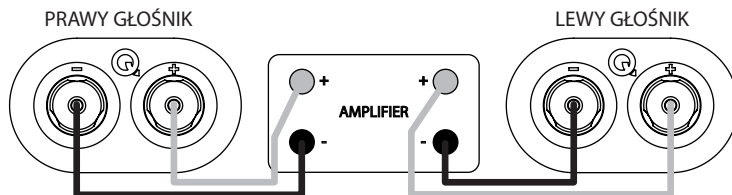


Podłączenia stereo

Podłączenia standardowe

Podłącz CZERWONY (+) styk PRAWEGO głośnika do CZERWONEGO, dodatniego (+) styku PRAWEGO kanału wzmacniacza. Podłącz CZARNY (-) styk głośnika do odpowiadającego mu CZARNEGO, ujemnego (-) styku wzmacniacza. Powtórz opisaną procedurę dla LEWEGO kanału.

Podłączenie standardowe:



Obsługa po sprzedaży

Pielęgnacja obudowy



Obudowy głośników należy czyścić wyłącznie lekko zwilżoną szmatką. Nie używaj środków czyszczących zawierających rozpuszczalniki. Nigdy nie używaj środków ściernych.

Powierzchnie obudów zwykle wymagają tylko lekkiego odkurzenia. W przypadku stosowania aerozoli lub innych środków czyszczących środek należy nałożyć najpierw na szmatkę, a nie bezpośrednio na produkt. Najpierw należy wypróbować działanie na małej powierzchni, ponieważ niektóre produkty czyszczące mogą uszkadzać wykończenie. Należy unikać stosowania produktów o właściwościach ściernych lub takich, które zawierają środki o odczynie kwaśnym lub zasadowym. Nie stosować żadnych materiałów czyszczących na jednostkach driverów i unikać ich dotykania ze względu na możliwość uszkodzenia.

Oslony

W razie potrzeby osłony należy czyścić wyłącznie miękką szmatką.



W przypadku użytkowania głośników Q Acoustics bez osłon należy pamiętać o ich ponownym zamontowaniu w przypadku obecności w pomieszczeniu zwierząt domowych lub dzieci.

Driverzy

Driverów nie należy dotykać, ponieważ łatwo je uszkodzić.

Gwarancja

Głośniki pasywne Q Acoustics są objęte gwarancją na brak wad materiałowych i wykonawczych w okresie 4 lat (1 rok dla głośnika niskotonowego (subwoofera)) od daty zakupu. W okresie gwarancji firma Q Acoustics naprawi lub wymieni, zgodnie z własnym uznaniem, wszelkie produkty uznane za wadliwe po ich sprawdzeniu przez firmę albo wyznaczonego przez nią dystrybutora lub przedstawiciela.

Nieprawidłowe użytkowanie oraz normalne zużycie eksploatacyjne nie są objęte gwarancją.

Produkty przeznaczone do naprawy należy przede wszystkim zwrócić do sprzedawcy. Jeśli jest to niemożliwe, należy skontaktować się z firmą Q Acoustics albo wyznaczonym przez nią dystrybutorem w danym regionie w celu ustalenia właściwej procedury gwarancyjnej. W miarę możliwości do zwrócenia produktu należy użyć oryginalnego opakowania, ponieważ uszkodzenia powstałe w trakcie transportu urządzenia do serwisu nie są objęte gwarancją. Niniejsza gwarancja w żaden sposób nie ogranicza praw użytkownika.

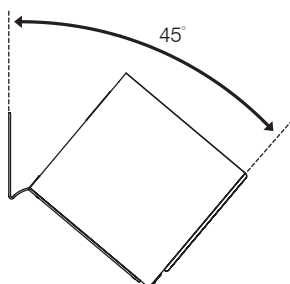
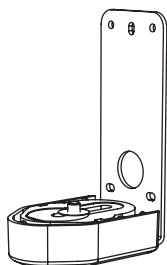
Istnieje możliwość przedłużenia gwarancji do 5 lat (2 lat dla głośnika niskotonowego) poprzez rejestrację produktu na stronie www.qacoustics.co.uk/register.

W celu uzyskania informacji na temat serwisu prosimy o kontakt pod adresem: support@qacoustics.co.uk

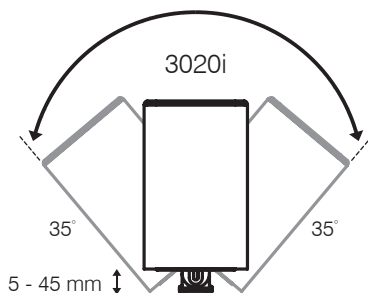
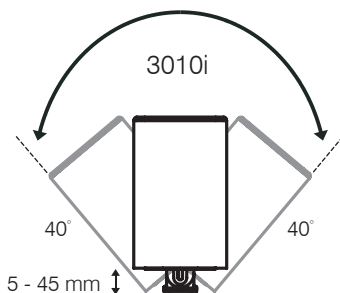
Q Acoustics
Woodside 2
Dunmow Road
Bishops Stortford
Hertfordshire, UK
CM23 5RG

Akcesoria

Wspornik ścienny (pojedynczy)
3010i / 3020i / 3090Ci
Czarny i biały

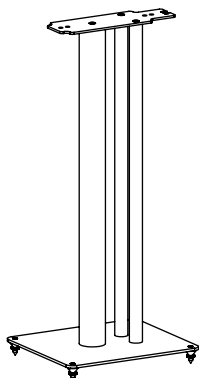


Wymiary (szer. x wys. x głęb.): 70 x 159 x 99 mm



Stojak głośnika (para)

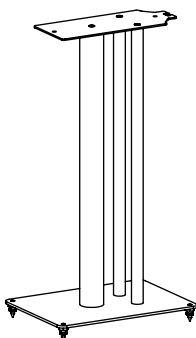
3010i / 3020i
Czarny i biały



Wymiary (szer. x wys. x głęb.):
250 x 682 x 290 mm

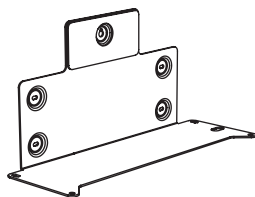
Stojak głośnika (para)

3030i
Czarny i biały



245 x 635 x 340 mm

Wspornik ścienny głośnika
niskotonowego (subwoofera)
3060S
Czarny



422 x 222 x 163 mm

Głośniki pasywne

Typ obudowy:

Głośnik niskotonowy:

Głośnik wysokotonowy:

Charakterystyka częstotliwościowa
(+/- 3 dB, -6 dB):

Impedancja średnia:

Czułość (2,83 V przy 1 m):

Moc wzmacniacza stereo:

Moc odbiornika AV (napęd 2-kanałowy):

Częstotliwość zwrotnicy:

Pojemność skuteczna:

Wymiary obudowy (szer. x wys. x głęb.):
(wraz z osłoną przednią,
zaciskiem i nóżkami)

Waga (na głośnika):



3010i

2-drożna typu odbijającego

100 mm (4.0 in)

22 mm (0.9 in)

65 Hz - 30 kHz

6 Ω

4 Ω

86 dB

15 - 75 W

50 - 125 W

2.6 kHz

4.0 L (244 cu in)

150 x 253 x 252 mm

(5.9 x 10.0 x 10.0 in)

4.1 kg (9.0 lbs)



3020i

2-drożna typu odbijającego

125 mm (5.0 in)

22 mm (0.9 in)

64 Hz - 30 kHz

6 Ω

4 Ω

88 dB

25 - 75 W

50 - 125 W

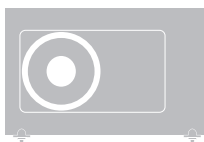
2.4 kHz

6.1 L (372 cu in)

170 x 278 x 282 mm

(6.7 x 11.0 x 11.1 in)

5.5 kg (12.1 lbs)



Aktywny głośnik niskotonowy

Typ obudowy:

Głośnik niskotonowy:

Moc wzmacniacza:

Charakterystyka częstotliwościowa:
(+/-3 dB, -6 dB)

Częstotliwość podziału:

Pojemność skuteczna:

Wymiary obudowy (szer. x wys. x głęb.):

Waga:

3060S

Nieskończona odgroda

200 mm (8.0 in)

150 W klasa D

35 Hz - 250 Hz

35 Hz - 250 Hz (var.)

10.6 L (647 cu in)

480 x 300 x 150 mm (18.9 x 11.8 x 5.9 in)

324 mm (12.7 in) wraz z podpórkami

8.5 kg (18.7 lbs)

**3030i**

2-drożna typu odbijającego
165 mm (6.5 in)
22 mm (0.9 in)

46 Hz - 30 kHz

6 Ω

4 Ω

88 dB

25 - 75 W

50 - 145 W

2.4 kHz

12.5 L (763 cu in)

200 x 325 x 329 mm
(7.9 x 12.8 x 13.0 in)

6.4 kg (14.1 lbs)

**3050i**

2-drożna typu odbijającego
2 x 165 mm (6.5 in)
22 mm (0.9 in)

44 Hz - 30 kHz

6 Ω

4 Ω

91 dB

25 - 180 W

50 - 165 W

2.5 kHz

32.4 L (1977 cu in)

310 x 1020 x 310 mm
(12.2 x 40.1 x 12.2 in)

200 mm (7.9 in)

17.8 kg (39.2 lbs)

**3090Ci**

2-drożna typu odbijającego
2 x 100 mm (4.0 in)
22 mm (0.9 in)

75 Hz - 30 kHz

6 Ω

4 Ω

89 dB

25 - 100 W

50 - 165 W

2.7 kHz

6.6 L (403 cu in)

430 x 152 x 216 mm
(16.9 x 6.0 x 8.5 in)

6.0 kg (13.2 lbs)



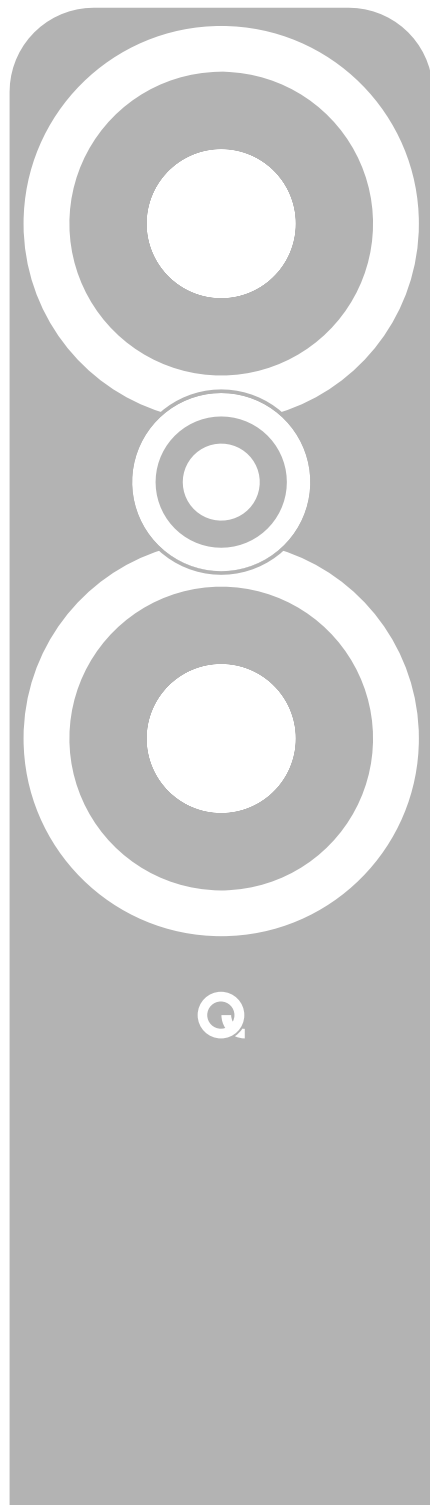
QACOUSTICS.CO.UK

Nasza strategia polega na ciągłym doskonaleniu produktów.
Zastrzegamy sobie prawo do wprowadzania zmian w konstrukcji i danych technicznych bez powiadomienia.
Niniejszy dokument zawiera informacje, które mogą ulec zmianie bez powiadomienia.



Série 3000i
MANUAL DO UTILIZADOR

EN	INGLÊS	01
DE	ALEMÃO	19
ES	ESPAÑHOL	37
FR	FRANCÊS	55
IT	ITALIANO	73
NL	HOLANDÊS	91
PL	POLACO	109
PT	PORTUGUÊS	127
RU	RUSSO	145
SV	SUECO	163
ZH	CHINÊS	181



Informações importantes de segurança e avisos

1. Informações de segurança e avisos

Antes de efetuar quaisquer ligações nos altifalantes assegure que todas as unidades ativas do sistema estão desligadas na fonte de alimentação.

Ao ligar o sistema de som ou ao alterar as fontes de entrada, defina o controlo de volume principal para um nível baixo. Aumente o nível gradualmente.

NUNCA reproduza o sistema de som com o volume total. A posição do controlo de volume é enganadora e não indica o nível de potência do sistema. Utilizar um volume muito elevado pode danificar a sua audição.

1.1. Instruções

Leia e compreenda estas instruções antes de utilizar os altifalantes. Se ocorrerem danos provocados pelo incumprimento destas instruções, a garantia não se aplica. Por favor, conserve estas instruções num local seguro.

Leia estas instruções.

Conserve estas instruções.

Observe todos os avisos.

Siga todas as instruções.

Não utilize este aparelho perto de água.

NÃO ligue os terminais dos altifalantes à fonte de alimentação.

Não instale perto de fontes de calor como radiadores, unidades de calor, fogões ou outros aparelhos (incluindo amplificadores) que emitam calor.

Utilize apenas dispositivos auxiliares/acessórios especificados pelo fabricante.

Desligue o aparelho durante trovoadas ou quando não for utilizado durante longos períodos de tempo.

2. Desembrulhar os altifalantes



Desembrulhe por completo os altifalantes. Levante os altifalantes das embalagens de cartão segurando nas caixas. Não utilize os sacos de

proteção para os levantar

Ao manusear os altifalantes, não os arraste pelo chão, pois pode danificá-los - levante cada

altifalante antes de o mover.

Verifique cuidadosamente o altifalante. Perante qualquer item danificado ou em falta, comunique a questão ao revendedor assim que possível.

Conserve a embalagem para transporte futuro. Se eliminar a embalagem, por favor, faça-o seguindo todos os regulamentos de reciclagem aplicáveis na sua área.

3. Instalação

• Utilize apenas os acessórios fornecidos com o produto.

• Para prevenir lesões, deve-se montar este aparelho em segurança no chão, em conformidade com as instruções de instalação.

• Não utilize suportes provisórios. Aplique o suporte dedicado da Q Acoustics de acordo com as instruções e utilizando as fixações fornecidas. O revendedor poderá aconselhá-lo.

• Se reproduzir os altifalantes sem as grelhas instaladas, tenha o cuidado de proteger as unidades de potência de danos.

• **NÃO** desmonte o altifalante. Irá invalidar a garantia.

• Não ligue os terminais dos altifalantes à fonte de alimentação.

• Não exponha os altifalantes a níveis excessivos de frio, calor, humidade ou luz solar.

• O uso deste aparelho está indicado para climas tropicais e/ou moderados.

3.1. Humidade

• Para reduzir o risco de incêndio ou choque elétrico, este aparelho não deve ser exposto à chuva, humidade, gotejamentos ou salpicos.

• Não utilize este aparelho perto de água.

3.2. Manutenção

Remeta a manutenção para um técnico qualificado. A manutenção é requerida quando o aparelho for danificado de qualquer forma, quando for derramado líquido ou perante a queda de objetos sobre o aparelho, quando o aparelho for exposto à chuva ou humidade, quando não funcionar normalmente ou quando for deixado cair.

4.0. Símbolos utilizados neste produto

Símbolo de aviso de perigo



O 'sinal de exclamação' adverte para as funcionalidades pelas quais deve ler o manual atentamente para prevenir problemas de funcionamento e manutenção.

CUIDADO: Para prevenir choques elétricos, encaixe totalmente o pino largo na ranhura larga.

Símbolo de resíduos de equipamentos elétricos e eletrónicos

Este símbolo indica que, quando eliminar a unidade, esta deve ser separada de outros resíduos domésticos e enviada para instalações de recolha separada para a recuperação e reciclagem de equipamento elétrico e eletrónico.



Assegure que está familiarizado com os regulamentos locais sobre a recolha separada de produtos elétricos e eletrónicos.

Introdução

Obrigado por adquirir um produto Q Acoustics.

Este manual pretende ajudá-lo a efetuar a configuração e a instalação, além de o ajudar a obter o desempenho ideal do produto.

Leia as instruções, as informações importantes de segurança e os avisos com cuidado antes de instalar e utilizar, para assegurar o funcionamento seguro e satisfatório do produto.

A série 3000i da Q Acoustics é uma gama de altifalantes concebida para corresponder às expectativas mais elevadas dos mais sérios audiófilos e amantes de cinema com os seus 2 canais dedicados.

A gama é composta por:

3010i: Altifalante de estante compacto com um amplificador de graves de 100 mm (4 pol.).

3020i: Altifalante de estante com um amplificador de graves de 125 mm (5 pol.).

3030i: Altifalante de estante com um amplificador de graves de 165 mm (6.5 pol.).

3050i: Coluna de pé com 2 amplificadores de graves de 165 mm (6,5 pol.).

3060S: Subwoofer ativo de 150 Watt com um amplificador de 200 mm (8 pol.).

3090Ci: Canal central com 2 amplificadores de graves de 100 mm (4 pol.).

Na embalagem de cartão irá encontrar: O(s) altifalante(s) e este manual de produto.

Além disso, a embalagem dos seguintes modelos contém:

3050i: Estabilizador traseiro, grampos e respetivas coberturas para cada altifalante. Uma chave Allen para ajustar os grampos depois de instalados.

3060S: Um cabo ou cabos de alimentação elétrica, grampos e respetivas coberturas.

Verifique o produto com cuidado. Se algum item estiver danificado ou em falta, comunique ao revendedor assim que possível.

Esperamos que desfrute da experiência Q Acoustics.

Preparação

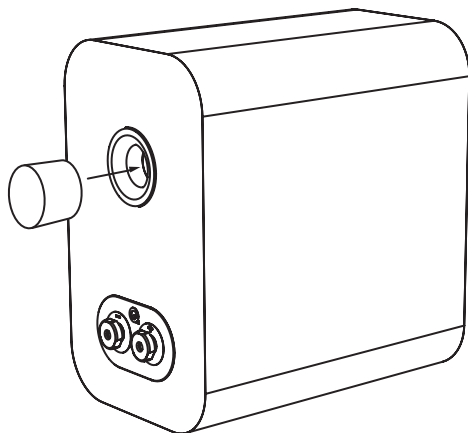


Levante os altifalantes das embalagens de cartão segurando nas caixas. Não toque nas unidades de amplificação nem use os sacos de proteção para as levantar. Os modelos 3050i e 3060S são pesados - peça ajuda para os levantar, se necessário.

Tampa de espuma

Os altifalantes da série 3000i possuem entradas traseiras e foram concebidos para um desempenho superior com algum espaço atrás, por ex.: cerca de 200 mm afastados da parede. Se posicionar os altifalantes perto de uma parede / canto, então deve inserir as tampas de espuma nas entradas traseiras, caso contrário poderá haver demasiados graves.

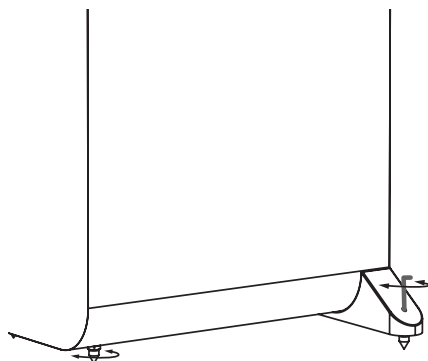
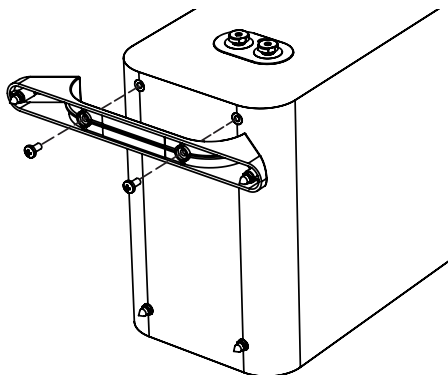
Assegure que as tampas estão bem inseridas na entrada sem as introduzir demasiado. Irá constatar que o nível de graves reduz mas que a definição e a extensão dos graves aumenta. Experimente para ver o que prefere e tente efetuar pequenas alterações na posição do altifalante para otimizar o resultado final.



Os grampos são pontiagudos. Tenha cautela! Nunca coloque um altifalante com grampo num local onde possa provocar danos! Mova sempre o altifalante elevando-o - nunca arrastando-o!

3050i - Aplique o estabilizador traseiro

Enrosque os grampos aplicados com porcas de fixação meio aparafusadas na base e volte a colocar o altifalante na posição vertical. (Se o seu piso for de madeira ou de pedra aplique um protetor em cada grampo antes de colocar o altifalante na posição vertical). Quando o altifalante estiver na posição vertical correta, insira a chave Allen em cada grampo traseiro a partir da parte superior e ajuste todos os grampos - mais para dentro ou mais para fora - até o altifalante estar nivelado e estável.



Utilize os parafusos fornecidos para fixar os pés, conforme ilustrado.

Posicionamento



Todos os altifalantes podem ser operados perto de televisores sem efeitos prejudiciais com a exceção do 3060S, que não deve operar num raio de 500 mm de ecrãs de televisão ou outro equipamento magneticamente sensível. Os ecrãs plasma e LCD não são afetados.

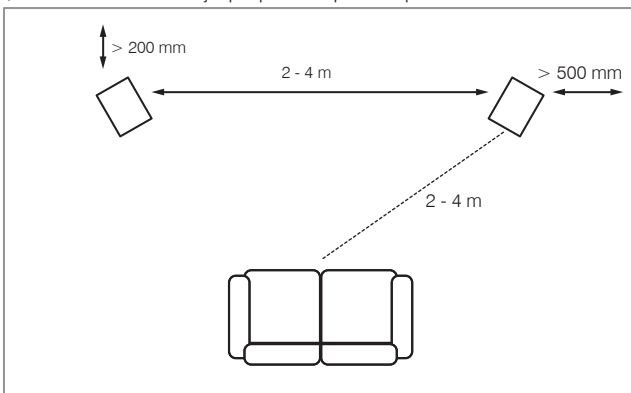
3010i, 3020i e 3030i

Idealmente, os modelos 3010i, 3020i e 3030i são montados em suportes de base da Q Acoustics, 3010i e 3020i em suportes de parede. Se utilizar suportes de base, aqui fica uma dica simples: a unidade de agudos deve estar posicionada ao nível dos ouvidos de um ouvinte sentado. Os altifalantes montados na parede podem ser montados ligeiramente acima num ângulo descendente. Os altifalantes montados em suportes de base devem ser tratados como altifalantes de pé, sendo que se deve colocar o altifalante ligeiramente mais perto da parede posterior. Também é possível a montagem em prateleiras.

Está disponível, junto do revendedor, um suporte opcional concebido especificamente para montar na parede os modelos 3010i, 3020i e 3090Ci da Q Acoustics. Também estão disponíveis suportes de base para os modelos 3010i, 3020i e 3030i. Esteja preparado para experimentar até encontrar a configuração que melhor se adequa à sua preferência na sua sala de escuta concreta.

3050i

Os altifalantes 3050i devem ser posicionados a, pelo menos, 200 mm de uma parede posterior e a 500 mm das paredes laterais. A colocação dos altifalantes mais perto da parede aumenta os graves mas pode fazer com que o som ressoe e perca precisão e detalhe. Os altifalantes devem estar 2 m - 4 m afastados e centrais relativamente ao ouvinte sentado. Virar ligeiramente os altifalantes para dentro irá aprimorar a imagem estéreo mas poderá provocar o estreitamento da fonte sonora.



Subwoofer

As frequências de graves são substancialmente omnidirecionais. Embora isso signifique que pode posicionar o subwoofer em praticamente qualquer lugar, a imagem estéreo continuará a beneficiar com o posicionamento do nível do subwoofer com os altifalantes dianteiros e o mais central possível em relação à posição de escuta. Tal pode não ser praticável num sistema multicanal. Se colocar o subwoofer perto de uma parede os graves serão reforçados. Como tal, em alguns locais, os graves

podem soar retumbantes e indistintos.

Altifalantes de efeitos

3090Ci

O modelo 3090Ci foi concebido para ser operado perto de um ecrã de televisão e central relativamente à posição do ecrã. Deve ser colocado imediatamente acima ou abaixo do ecrã. Se possuir um monitor Plasma ou LCD, monte o modelo 3090Ci na parede ou noutra superfície adequada imediatamente acima ou abaixo do ecrã utilizando o suporte de parede da Q Acoustics. De contrário, considere colocar o televisor num móvel com o 3090Ci numa prateleira estável imediatamente abaixo do televisor.

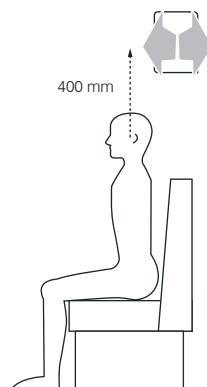


Dolby e o símbolo de D duplo são marcas registadas da Dolby Laboratories.

Altifalantes Surround

Existem recomendações para os altifalantes de efeitos 5.1 da Dolby Labs. Os altifalantes Surround devem ser montados em cada flanco do ouvinte, ligeiramente atrás da posição de escuta. Deve-se colocar os altifalantes virados para dentro, ou montados nas paredes laterais da divisão ou, se a divisão for grande, em suportes altos e com os respetivos centros acima do nível dos ouvidos de um ouvinte sentado.

Para altifalantes suspensos utilizados em instalações multicanal recomendamos a gama Q Acoustics Install.



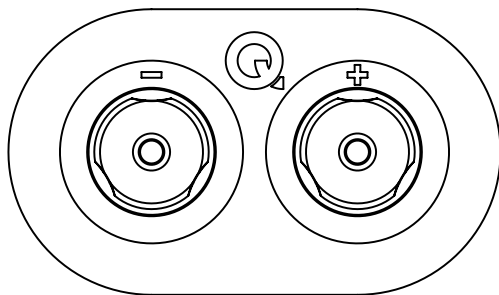
Ligações



Antes de efetuar quaisquer ligações nos altifalantes assegure que todas as unidades ativas do sistema estão desligadas na fonte de alimentação. Ao ligar o sistema de som ou ao alterar as fontes de entrada, defina o controlo de volume principal para um nível baixo. Aumente o nível gradualmente.

Terminais e conectores

Os modelos 3010i, 3020i, 3030i, 3050i e 3090Ci possuem dois cruzamentos de terminais padrão.



3010i, 3020i, 3030i, 3050i e 3090Ci

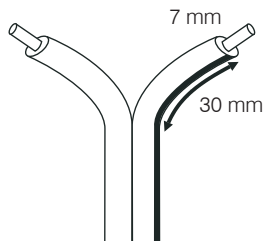
Cabos de altifalantes

Os cabos de altifalantes especializados oferecem uma qualidade de reprodução superior relativamente ao fio de utilização geral tipo 'bell' ou 'zip'. Utilize cabos com quantidades generosas de cobre para os canais dianteiro e central. Os cabos finos reduzem os graves e restringem a amplitude dinâmica. Os canais Surround (traseiros) são menos críticos.

O cabo de altifalante possui uma listra ou traço ao longo de um núcleo. Por convenção, liga-se aos terminais positivos. Idealmente, os cabos que ligam o amplificador aos altifalantes dianteiros devem ter o mesmo comprimento. Nunca utilize cabos - utilize os comprimentos completos.

Preparação dos cabos

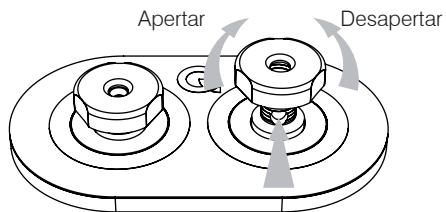
Divida o cabo a uma profundidade de cerca de 40 mm. Descarne o fio a uma profundidade de 10 mm e torça as extremidades para incluir todos os fios isolados. Corte o cabo, deixando 7 mm de fio exposto.



Ligação de um terminal

Desaparafuse o terminal no sentido anti-horário para expor o orifício de fixação na base da coluna do terminal.

Insira a extremidade exposta do cabo no orifício. Reaperte o terminal de forma completa e manual. Assegure a ausência de fios soltos que possam tocar nos terminais adjacentes. Na UE é uma violação dos regulamentos de segurança utilizar fichas de altifalante com 4 mm.

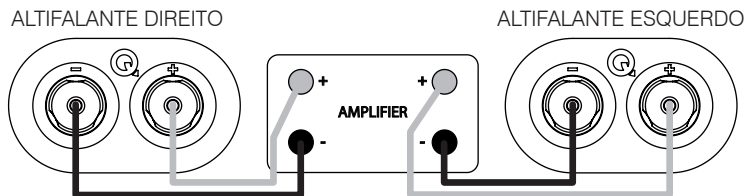


Ligações estéreo

Ligações padrão

Ligue o terminal VERMELHO (+) do altifalante DIREITO ao terminal Positivo VERMELHO (+) no canal DIREITO do amplificador. Ligue o terminal PRETO (-) do altifalante ao terminal Negativo PRETO (-) do amplificador. Repita o procedimento para o canal ESQUERDO.

Cablagem padrão:



Cuidados posteriores

Cuidados a ter com a caixa



Limpe as caixas apenas com um pano levemente humedecido. Não utilize materiais de limpeza à base de solventes. Nunca use abrasivos de qualquer tipo.

Geralmente, as superfícies da caixa só exigem a limpeza do pó. Se utilizar um aerossol ou outro produto de limpeza, primeiro aplique o produto de limpeza no pano e não diretamente sobre o produto. Teste numa pequena área primeiro, pois alguns produtos de limpeza podem danificar o acabamento. Evite produtos que sejam abrasivos ou que contenham agentes ácidos ou alcalinos. Não utilize quaisquer materiais de limpeza nas unidades de potência e evite tocar nelas, pois pode danificá-las.

Grelhas

As grelhas só devem ser limpas com uma escova macia quando necessário.



Se utilizar o altifalante da Q Acoustics com as grelhas removidas, lembre-se de as voltar a colocar perante a presença de crianças ou de animais de estimação.

Unidades de potência

Não toque nas unidades de potência, pois podem ser facilmente danificadas quando expostas.

Garantia

Os altifalantes passivos da Q Acoustics possuem uma garantia contra a existência de defeitos materiais e de fabrico durante um período de 4 anos (1 ano para o subwoofer) a partir da data de compra. Durante o período da garantia, a Q Acoustics irá, a seu critério, reparar ou substituir qualquer produto considerado defeituoso após uma inspeção efetuada pela empresa ou pelo distribuidor ou agente nomeado.

Uso indevido e desgaste razoável não são cobertos pela garantia.

Os artigos para reparação devem, em primeira instância, ser devolvidos ao fornecedor. Se tal não for possível, entre em contato com a Q Acoustics, ou com o distribuidor designado para a sua área, para determinar o procedimento de garantia correto. Se possível, deve-se utilizar a embalagem original para devolver o produto, uma vez que os danos sofridos durante o transporte para o centro de reparação não estão cobertos pela garantia. A garantia não afeta de forma alguma os seus direitos legais.

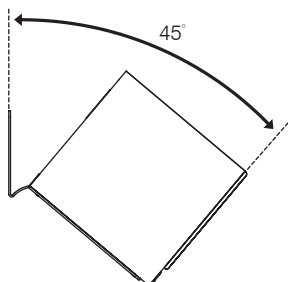
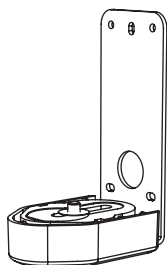
É possível alargar a garantia para 5 anos (2 anos para o subwoofer) ao registar o produto em www.qacoustics.co.uk/register.

Para obter informações de reparação, contacte: support@qacoustics.co.uk

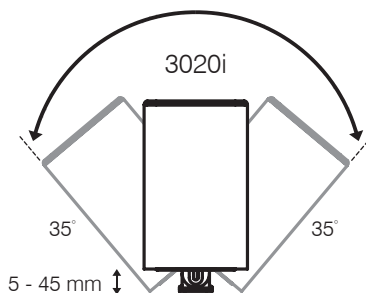
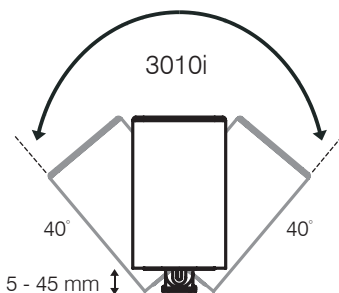
Q Acoustics
Woodside 2
Dunmow Road
Bishops Stortford
Hertfordshire, UK
CM23 5RG

Acessórios

Suporte de parede (único)
 3010i / 3020i / 3090Ci
 Preto e branco

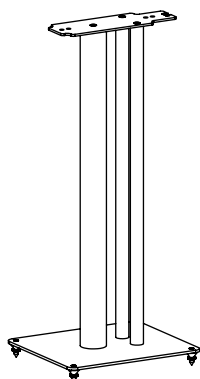


Dimensões (LxAxD): 70 x 159 x 99 mm



Suporte de altifalante (par)

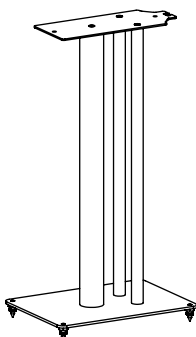
3010i / 3020i
 Preto e branco



Dimensões (LxAxD):
 250 x 682 x 290 mm

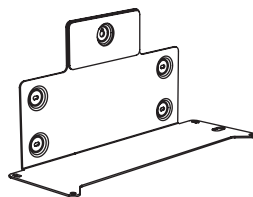
Suporte de altifalante (par)

3030i
 Preto e branco



245 x 635 x 340 mm

Suporte de parede
 para o Subwoofer
 3060S
 Preto



422 x 222 x 163 mm

Especificações



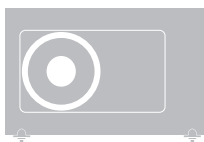
Altifalantes passivos

Tipo de alojamento:	Reflexo de 2 vias
Unidade de graves:	100 mm (4.0 in)
Unidade de agudos:	22 mm (0.9 in)
Resposta em frequência (+/-3 dB, -6 dB):	65 Hz - 30 kHz
Impedância média:	6 Ω
Impedância mínima:	4 Ω
Sensibilidade (2,83v@1m):	86 dB
Potência do amplificador estéreo:	15 - 75 W
Potência do recetor AV (2 canais):	50 - 125 W
Frequência de Crossover	2.6 kHz
Volume efetivo:	4.0 L (244 cu in)
Dimensões da caixa (LxAxD):	150 x 253 x 252 mm
(inc. grelha, terminal e pés)	(5.9 x 10.0 x 10.0 in)
Largura do invólucro:	
Peso (por falante):	4.1 kg (9.0 lbs)



3020i

Tipo de alojamento:	Reflexo de 2 vias
Unidade de graves:	125 mm (5.0 in)
Unidade de agudos:	22 mm (0.9 in)
Resposta em frequência (+/-3 dB, -6 dB):	64 Hz - 30 kHz
Impedância média:	6 Ω
Impedância mínima:	4 Ω
Sensibilidade (2,83v@1m):	88 dB
Potência do amplificador estéreo:	25 - 75 W
Potência do recetor AV (2 canais):	50 - 125 W
Frequência de Crossover	2.4 kHz
Volume efetivo:	6.1 L (372 cu in)
Dimensões da caixa (LxAxD):	170 x 278 x 282 mm
(inc. grelha, terminal e pés)	(6.7 x 11.0 x 11.1 in)
Largura do invólucro:	
Peso (por falante):	5.5 kg (12.1 lbs)



Subwoofer ativo

Tipo de alojamento:	Defletor infinito
Unidade de graves:	200 mm (8.0 in)
Potência do amplificador:	150 W klasa D
Resposta em frequência (+/-3 dB, -6 dB):	35 Hz - 250 Hz
Frequencia cruzada:	35 Hz - 250 Hz (var.)
Volume efetivo:	10.6 L (647 cu in)
Dimensões da caixa (LxAxD):	480 x 300 x 150 mm (18.9 x 11.8 x 5.9 in)
	324 mm (12.7 in) inc. grampos
Peso:	8.5 kg (18.7 lbs)

3060S

**3030i**

Reflexo de 2 vias

165 mm (6.5 in)

22 mm (0.9 in)

46 Hz - 30 kHz

6 Ω

4 Ω

88 dB

25 - 75 W

50 - 145 W

2.4 kHz

12.5 L (763 cu in)

200 x 325 x 329 mm

(7.9 x 12.8 x 13.0 in)

6.4 kg (14.1 lbs)

**3050i**

Reflexo de 2 vias

2 x 165 mm (6.5 in)

22 mm (0.9 in)

44 Hz - 30 kHz

6 Ω

4 Ω

91 dB

25 - 180 W

50 - 165 W

2.5 kHz

32.4 L (1977 cu in)

310 x 1020 x 310 mm

(12.2 x 40.1 x 12.2 in)

200 mm (7.9 in)

17.8 kg (39.2 lbs)

**3090Ci**

Reflexo de 2 vias

2 x 100 mm (4.0 in)

22 mm (0.9 in)

75 Hz - 30 kHz

6 Ω

4 Ω

89 dB

25 - 100 W

50 - 165 W

2.7 kHz

6.6 L (403 cu in)

430 x 152 x 216 mm

(16.9 x 6.0 x 8.5 in)

6.0 kg (13.2 lbs)



ACOUSTICS

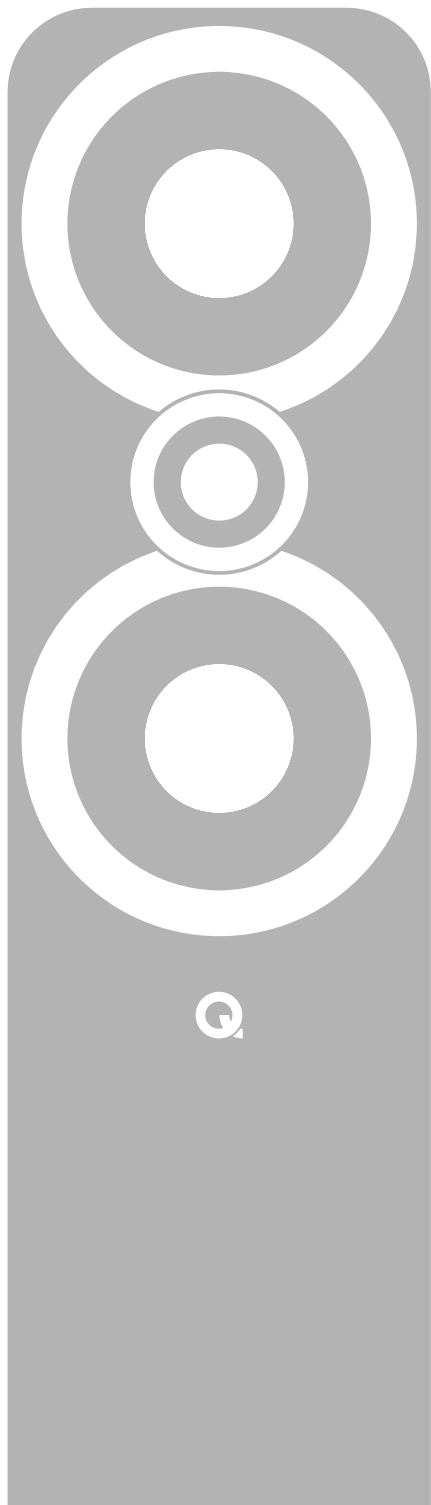
QACOUSTICS.CO.UK

A nossa política é de melhoria contínua do produto.
Reservamo-nos o direito de alterar o design e as especificações sem aviso prévio.
Este documento contém informações sujeitas a alterações sem aviso prévio



Серия 3000i
РУКОВОДСТВО ПОЛЬЗОВАТЕЛЯ

RU	РУССКИЙ	01
DE	НЕМЕЦКИЙ	19
ES	ИСПАНСКИЙ	37
FR	ФРАНЦУЗСКИЙ	55
IT	ИТАЛЬЯНСКИЙ	73
NL	НИДЕРЛАНДСКИЙ	91
PL	ПОЛЬСКИЙ	109
PT	ПОРТУГАЛЬСКИЙ	127
RU	РУССКИЙ	145
SV	ШВЕДСКИЙ	163
ZH	КИТАЙСКИЙ	181



Важная информация о мерах безопасности и предупреждения

1. Информация о мерах безопасности и предупреждения

Перед подключением какого-либо оборудования к колонкам убедитесь, что все рабочие блоки вашей системы отключены от электрической сети.

При включении аудиосистемы или переключении источников входных сигналов, установите общий регулятор громкости на низкий уровень. Повышайте уровень громкости постепенно.

НИКОГДА не включайте аудиосистему на полную громкость. Положение регулятора громкости может вводить в заблуждение и не указывает уровень мощности сигнала. Использование очень высоких уровней громкости может повредить ваш слух.

1.1. Инструкции

Прежде чем приступить к использованию динамиков, прочтите и примите к сведению данное руководство. Гарантия аннулируется, если повреждение системы произошло по причине несоблюдения инструкций данного руководства. Храните данное руководство в надежном месте.

Прочитайте данную инструкцию.

Сохраните данную инструкцию.

Примите к сведению все предупреждения.

Следуйте всем указаниям.

• Не используйте это оборудование вблизи воды. НЕ подключайте полюса ваших колонок к питающей сети.

Не устанавливайте систему вблизи источников тепла, таких как: батареи, регистры отопления, кухонные плиты или другое оборудование (в том числе усилители), излучающее тепло.

Используйте исключительно приспособления/дополнительное оборудование, рекомендованные производителем.

Отключайте оборудование от сети во время грозы или в случае, если вы не собираетесь пользоваться им длительное время.

2. Извлечение из упаковки



Полностью распакуйте акустическую систему. Извлекайте колонки из

картонных коробок, придерживая их за корпус. Не используйте защитные чехлы для извлечения колонок.

Если вы захотите переместить колонки, не волочите их по полу, так как это может повредить их — приподнимите колонки перед перемещением.

Тщательно проверьте колонки. Если какие-либо детали отсутствуют или повреждены, сообщите об этом своему дилеру как можно скорее.

Сохраните упаковку для будущей возможной транспортировки. Если вы решите выбросить упаковку, пожалуйста, соблюдайте действующее в вашей стране законодательство по переработке отходов.

3. Установка

- Используйте только те аксессуары, которые поставляются вместе с изделием.
- Во избежание травм и повреждений, данное устройство должно быть надежно установлено на полу в соответствии с инструкциями по установке.
- Не используйте самодельные подставки. Установите специальную подставку производства компании Q Acoustics, следуя инструкции и используя крепежные детали, идущие в комплекте. Необходимую информацию вы можете получить у вашего дилера.
- Если вы пользуетесь колонками без защитных сеток, позаботьтесь о том, чтобы узлы привода не были повреждены.
- НЕ разбирайте акустическую систему. В противном случае вы будете лишены права на гарантийное обслуживание.
- Не соединяйте выходы для подключения акустической системы с сетью питания.
- Не подвергайте систему воздействию чрезмерных температур, повышенной влажности или прямых солнечных лучей.
- В данном руководстве описано применение устройства в тропическом и (или) умеренном климате.

3.1. Влажность

- Не следует подвергать устройство воздействию дождя, влаги, просачивающейся или разбрызгивающейся воды во избежание возгорания или поражения электрическим

током.

- Не используйте это оборудование вблизи воды.

3.2. Техническое обслуживание

Все работы по техническому обслуживанию должны выполняться квалифицированным техническим персоналом. Техническое обслуживание необходимо в случае повреждения оборудования, попадания жидкости или других предметов внутрь оборудования, воздействия дождя или влаги, сбоев в работе оборудования или его падения.

4.0. Символы на изделии

Символ предупреждения об опасности



Символ «восклицательный знак» указывает на некоторые параметры, описанные в данном руководстве; необходим для предотвращения проблем в работе и техническом обслуживании.

ВНИМАНИЕ! Во избежание поражения электрическим током, убедитесь, что ширина лапки вилки подходит к ширине гнезд розетки, и вилка полностью вставляется в розетку.

Символ «Отходы электрического и электронного оборудования»

Данный символ указывает на то, что устройство должно быть утилизировано отдельно от бытового мусора и отправлено на специализированный пункт сбора для утилизации и переработки отходов электрического и электронного оборудования.



Обязательно ознакомьтесь с правилами раздельной утилизации электрических и электронных изделий, действующими в вашем регионе.

Введение

Благодарим вас за приобретение продукции Q Acoustics!

Данное руководство предназначено для того, чтобы помочь вам осуществить установку и настройку акустической системы. Оно поможет вам получить оптимальные технические характеристики продукта.

Чтобы обеспечить безопасную и удовлетворительную работу системы, пожалуйста, перед установкой и эксплуатацией внимательно прочитайте эту инструкцию, важную информацию по технике безопасности и предупреждения.

Серия 3000i производства компании Q Acoustics представляет собой линейку акустических систем, разработанных для того, чтобы оправдать самые высокие ожидания любителей двухканальной акустики и чаяния наиболее взыскательных киноманов.

Данная линейка включает в себя следующие модели:

Модель 3010i: Компактная полочная колонка с мощным 100-миллиметровым (4,0 дюйма) низкочастотным динамиком.

Модель 3020i: Полочная колонка с мощным 125-миллиметровым (5,0 дюйма) низкочастотным динамиком.

Модель 3030i: Полочная колонка с мощным 165-миллиметровым (6,5 дюйма) низкочастотным динамиком.

Модель 3050i: Напольная акустическая система с двумя мощными 165-миллиметровыми (6,5 дюйма) низкочастотными динамиками.

Модель 3060S: Активный сабвуфер мощностью 150 Вт с двумя 200-миллиметровыми (8,0 дюйма) динамиками.

Модель 3090Si: Центральный канал с двумя мощными 100-миллиметровыми (4,0 дюйма) низкочастотными динамиками.

В картонной упаковке вы найдете колонки и данное руководство по эксплуатации.

Кроме того, упаковка следующих моделей содержит:

Модель 3050i: Стабилизатор для задней части, шпиль и обмотка для шпилей для каждой колонки. Шестигранный ключ для закрепления установленных шпилей.

Модель 3060S: Шнуры питания, шпиль и обмотки шпилей.

Внимательно проверьте изделие. В случае если какие-либо детали отсутствуют или повреждены, сообщите об этом своему дилеру как можно скорее.

Надеемся, что вы получите удовольствие от использования продукции Q Acoustics.

Подготовка

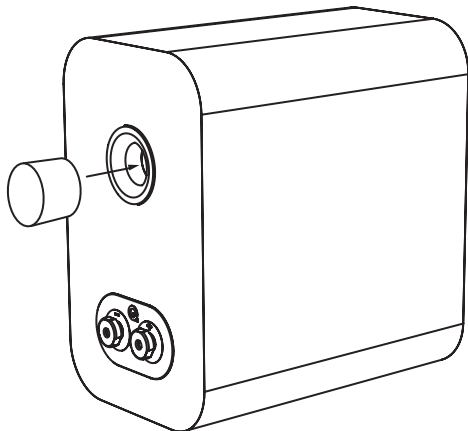


Извлекайте колонки из картонных коробок, придерживая их за корпус. Не прикасайтесь к предоконечным каскадам или используйте защитные чехлы при их извлечении. Модели 3050i и 3060S тяжелые: при необходимости попросите кого-нибудь помочь вам.

Пробка из пенопласта

Колонки серии 3000i оснащены задними портами и лучше всего работают в условиях, когда за ними имеется некоторое пространство, то есть около 20 см до стены. Если вы расположите колонки близко к стене/углу, необходимо будет вставить в задние порты пенопластовые пробки, иначе может появиться слишком много низких частот.

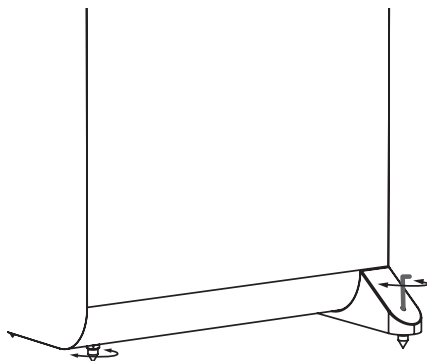
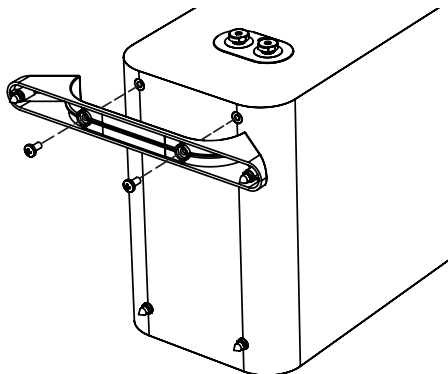
Убедитесь, что пробки плотно сидят в портах и не вставлены слишком глубоко. Вы обнаружите, что уровень низких частот понизится, но при этом повысится четкость и степень глубины баса. Экспериментируйте и добивайтесь нужного вам звучания. Для достижения оптимального конечного результата пробуйте вносить небольшие изменения в расположение колонок.



Шпиль очень острые. Будьте осторожны!
Никогда не ставьте колонку на шпильях там, где они могут что-либо повредить!
Перемещайте колонки всегда по воздуху и никогда не волочите их по поверхностям!

3050i. Прикрепите задний стабилизатор

Вставьте шпиль, оборудованные стопорными гайками, до половины в основание и верните колонку в вертикальное положение. (Если у вас деревянный или каменный пол, наденьте протектор на каждый шпиль и затем верните колонку в вертикальное положение). Когда колонка находится в правильном положении, вставьте шестигранный ключ сверху в каждый задний шпиль и отрегулируйте все шпиль так, чтобы колонка стояла прямо и не шаталась.



Используйте винты для закрепления ножек, как указано на картинке.

Размещение



Всеми акустическими системами можно пользоваться рядом с телевизионными мониторами без какого-либо вредного воздействия, кроме модели 3060S, которую не рекомендуется эксплуатировать на расстоянии менее 500 мм от экрана телевизора или другого магниточувствительного оборудования. Плазменные и ЖК-экраны также не подвержены вредному воздействию.

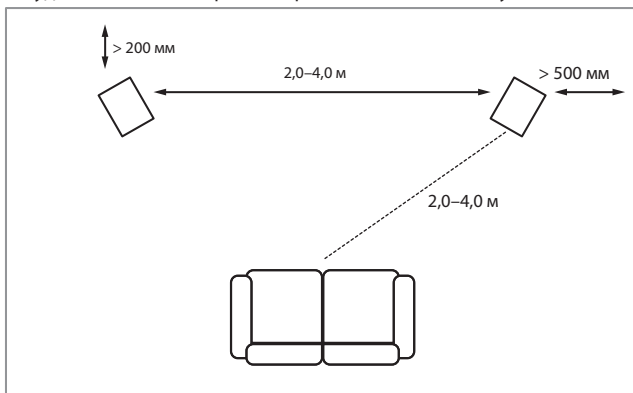
3010i, 3020i и 3030i

Колонки 3010i, 3020i и 3030i идеально подходят для установки на напольные подставки Q Acoustics, 3010i и 3020i или монтажа на стену. Если вы производите монтаж на подставки, соблюдайте простое правило: блок, отвечающий за передачу верхних частот, должен находиться на уровне головы сидящего слушателя. Колонки, монтируемые на стену, можно расположить немного выше, если их слегка наклонить. Колонки, монтируемые на подставки, следует рассматривать как напольные колонки, за исключением того, что их можно расположить немного ближе к задней стене. Возможен также монтаж на полки.

У вашего дилера имеется в наличии опционально поставляемый кронштейн, специально разработанный для монтажа на стену колонок Q Acoustics 3010i, 3020i и 3090Si. Имеются также напольные подставки для моделей 3010i, 3020i и 3030i. Будьте готовы экспериментировать в поиске наилучшего на ваш вкус расположения колонок в конкретном, выбранном вами помещении.

3050i

Колонки 3050i следует расположить минимум в 20 см от задней стены и в 50 см от боковых стен. Размещение колонок ближе к стене усилит низкие частоты, но может вызвать гул и нечеткость звука. Колонки должны находиться в 2–4 метрах друг от друга и своими центрами обращать к сидящему слушателю. Небольшой поворот колонок фронтальными сторонами друг к другу сделает четче стереокартину, но может «сузить» источник звука.



Сабвуфер

Низкие звуковые частоты в основном одинаковы по всем направлениям. Хотя это означает, что вы можете установить ваш сабвуфер практически в любом месте, все же звуковая картина будет лучше, если вы установите сабвуфер на уровне передних динамиков и, насколько возможно, по центру от позиции слушателя. В многоканальной системе это может быть неосуществимо. Если вы поставите сабвуфер близко к стене, то нижние звуковые частоты могут усилиться и поэтому в некоторых местах

звук может стать нечетким.

Колонки для передачи звуковых эффектов

3090Ci

Колонка 3090Ci предназначена для работы вблизи телеэкрана и размещения по его центральной оси. Ее следует разместить непосредственно над экраном или под ним. Если у вас плазменный или ЖК-монитор, монтируйте колонку 3090Ci на стену или другую подходящую поверхность непосредственно над экраном или под ним при помощи настенного кронштейна Q-Acoustics. В противном случае подумайте о размещении телевизора на стеллаж, на который можно будет также поставить и колонку 3090Ci (на прочную полку непосредственно под телевизором).

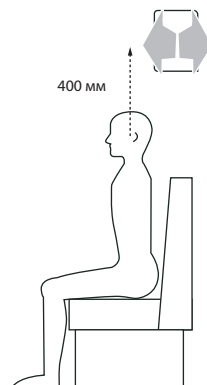


Символы Dolby и DD — это торговые марки компании Dolby Laboratories.

Акустическая система объемного звучания

Компания Dolby дает следующие рекомендации в отношении аудиосистемы для передачи эффектов 5.1. Колонки для передачи объемного звука следует монтировать по бокам от слушателя и немного сзади него. Колонки следует повернуть друг к другу, просто разместив их на боковых стенах помещения или, если помещение слишком велико, на высоких подставках. При этом следует расположить центры колонок выше уровня головы сидящего слушателя.

Для потолочных колонок, которые используются для многоканальных установок, мы рекомендуем ассортимент установочного крепежа Q-Acoustics.



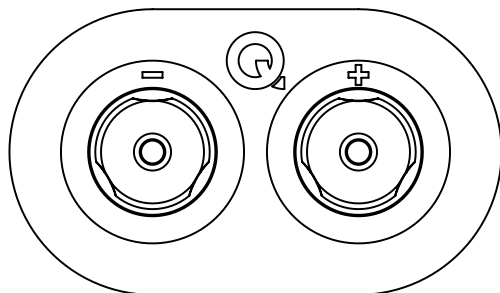
Соединения



Перед подключением какого-либо оборудования к колонкам убедитесь, что все рабочие блоки вашей системы отключены от электрической сети. При включении аудиосистемы или переключении источников входных сигналов, установите общий регулятор громкости на низкий уровень. Повышайте уровень громкости постепенно.

Полюса и соединители

Колонки 3010i, 3020i, 3030i, 3050i и 3090Ci оснащены стандартными кроссоверами с двумя полюсами.



3010i, 3020i, 3030i, 3050i, 3090Ci

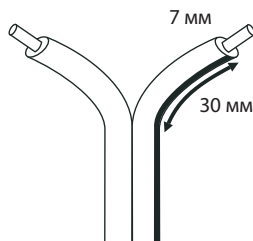
Акустические кабели

Специализированные акустические кабели обеспечивают более высокий стандарт воспроизведения, чем кабели общего назначения типа "bell" (тонкие и плохо изолированные кабели) или "zip" (двухжильные кабели с разделительным основанием). Для переднего и центрального каналов используйте кабель с большим количеством меди. Тонкие кабели сокращают низкие частоты и ограничивают динамический диапазон. Меньшее значение играют каналы объемного звучания (задние).

Акустический кабель имеет полосу или метку вдоль одной кабельной жилы. По правилам его нужно подключать к положительным полюсам. Кабели, подключающие усилитель к передним колонкам, в идеале должны быть одинаковой длины. Никогда не соединяйте кабель из нескольких отрезков — всегда используйте целый кабель.

Подготовка кабелей

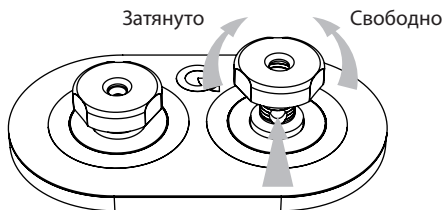
Расщепите жилы кабеля на глубину около 40 мм. Оголите конец каждой жилы на глубину 10 мм и скрутите его, чтобы собрать в целое все торчащие в стороны проводки. Подрежьте оголенную часть кабеля до длины 7 мм.



Подключение полюса

Открутите полюс против часовой стрелки для того, чтобы стало видно монтажное отверстие в основании колонки полюса.

Вставьте оголенный конец кабеля в отверстие. Закрутите полюс рукой до отказа. Убедитесь, что не имеется никаких торчащих проводков, которые могут касаться соседних полюсов. В ЕС использование 4-миллиметровых штепсельных акустических вилок противоречит нормам безопасности.

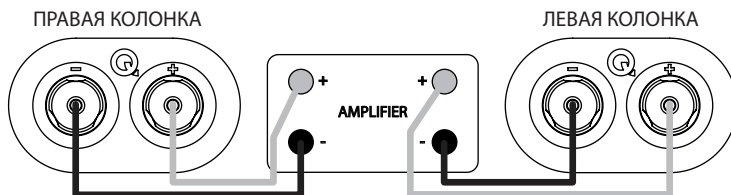


Стерефонические соединения

Стандартные соединения

Подключите КРАСНЫЙ (+) полюс правой колонки к КРАСНОМУ положительному (+) полюсу ПРАВОГО канала усилителя. Подключите ЧЕРНЫЙ (-) полюс колонки к соответствующему ЧЕРНОМУ, отрицательному (-) полюсу усилителя. Пропишите ту же процедуру в отношении ЛЕВОГО канала.

Стандартная система проводов:



Послепродажное обслуживание

Уход за корпусом



Корпус можно чистить только слегка смоченной салфеткой. Не используйте чистящие средства на основе растворителей. Никогда не используйте абразивы.

Как правило, поверхность корпуса требует только легкой очистки от пыли. При использовании аэрозольного или какого-либо другого чистящего средства наносите его на салфетку, а не на само изделие. Для начала попробуйте чистящее средство на маленьком участке поверхности изделия, так как некоторые чистящие средства могут повредить покрытие. Избегайте использования абразивов или средств, содержащих кислотные или щелочные реагенты. Во избежание повреждений не используйте чистящие средства для чистки головок и не трогайте их.

Защитные сетки

Защитные сетки при необходимости следует чистить только мягкой щеткой.



Если вы используете системы Q Acoustics без защитных сеток, обязательно устанавливайте их на место, когда в комнате находятся дети или домашние животные.

Узлы привода

К узлам привода лучше не прикасаться, так как их легко повредить.

Гарантия

На продукцию компании Q Acoustics предоставляется гарантия отсутствия дефектов с точки зрения качества материалов и изготовления сроком на 4 года (1 год для сабвуфера) с даты приобретения. В течение гарантийного срока компания Q Acoustics обязуется произвести ремонт или заменить изделие, если после проведения проверки она или ее назначенный дистрибьютор или уполномоченный представитель обнаружат дефект в предоставленном на проверку изделии.

Гарантия не распространяется на неправильное использование и естественный износ.

Товары для ремонта должны в первую очередь быть возвращены поставившему их дилеру. Если это не представляется возможным, свяжитесь с Q Acoustics или назначенным компанией дистрибьютором для вашего региона, чтобы определить правильную гарантийную процедуру. По возможности следует использовать оригинальную упаковку для возврата изделия, так как на ущерб, причиненный во время транспортировки в центр ремонта, не распространяется гарантия. Эта гарантия никоим образом не влияет на ваши законные права.

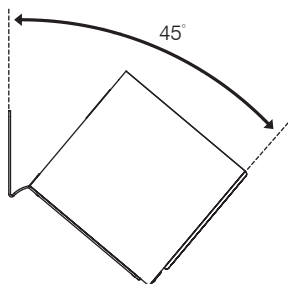
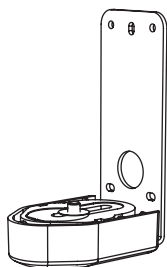
Срок действия гарантии можно продлить до 5 лет (2 года для сабвуфера), зарегистрировав изделие на веб-странице www.qacoustics.co.uk/register.

Для получения информации о техническом обслуживании обращайтесь по адресу электронной почты support@qacoustics.co.uk

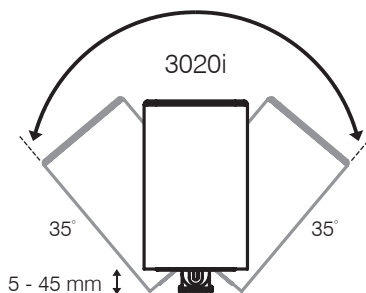
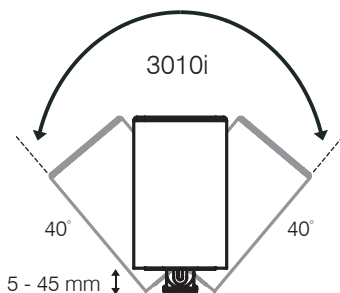
Q Acoustics
Woodside 2
Dunmow Road
Bishops Stortford
Hertfordshire, UK
CM23 5RG

Принадлежности

Настенный кронштейн (один)
3010i/3020i/3090Si
Черный и белый

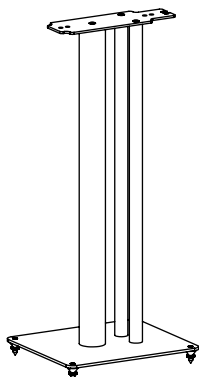


Размеры (Ш×В×Г): 70 x 159 x 99 mm



Стойка для колонок (пара)

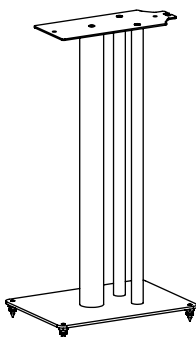
3010i/3020i
Черный и белый



Размеры (Ш×В×Г):
250 x 682 x 290 mm

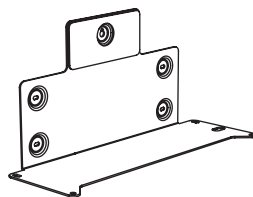
Стойка для колонок (пара)

3030i
Черный и белый



245 x 635 x 340 mm

Настенный кронштейн
для сабвуфера
3060S
Черный



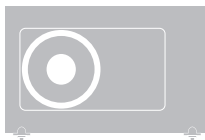
422 x 222 x 163 mm

Спецификации



Пассивные акустические системы

	3010i	3020i
Тип корпуса:	2-полосные с	2-полосные с
Блок нижних частот:	100 mm (4.0 in)	125 mm (5.0 in)
Блок верхних частот:	22 mm (0.9 in)	22 mm (0.9 in)
Амплитудно-частотная характеристика (+/-3 dB, -6 dB):	65 Hz - 30 kHz	64 Hz - 30 kHz
Минимальный импеданс:	6 Ω	6 Ω
Среднее сопротивление:	4 Ω	4 Ω
Чувствительность (2,83v@1 м):	86 dB	88 dB
Мощность стереоусилителя:	15 - 75 W	25 - 75 W
Мощность AV-ресивера (двухканальный):	50 - 125 W	50 - 125 W
Частота кроссовера:	2.6 kHz	2.4 kHz
Рабочий объем:	4.0 L (244 cu in)	6.1 L (372 cu in)
Размеры корпуса (Ш×В×Г):	150 x 253 x 252 mm	170 x 278 x 282 mm
(Включая решетку, разъем и ножки)	(5.9 x 10.0 x 10.0 in)	(6.7 x 11.0 x 11.1 in)
Ширина шкафа:		
Вес (на спикер):	4.1 kg (9.0 lbs)	5.5 kg (12.1 lbs)



Активный сабвуфер

	3060S
Тип корпуса:	Бесконечный экран
Блок нижних частот:	200 mm (8.0 in)
Мощность усилителя:	150 W Class-D
Частотная характеристика(+/-3 dB, -6 dB):	35 Hz - 250 Hz
Частота кроссовера:	35 Hz - 250 Hz (var.)
Рабочий объем:	10.6 L (647 cu in)
Размеры корпуса (Ш×В×Г):	480 x 300 x 150 mm (18.9 x 11.8 x 5.9 in)
	324 mm (12.7 in) включая шпильки
Вес:	8.5 kg (18.7 lbs)

**3030i**

2-полосные с
165 mm (6.5 in)
22 mm (0.9 in)

46 Hz - 30 kHz

6 Ω

4 Ω

88 dB

25 - 75 W

50 - 145 W

2.4 kHz

12.5 L (763 cu in)

200 x 325 x 329 mm
(7.9 x 12.8 x 13.0 in)

6.4 kg (14.1 lbs)

**3050i**

2-полосные с
2 x 165 mm (6.5 in)
22 mm (0.9 in)

44 Hz - 30 kHz

6 Ω

4 Ω

91 dB

25 - 180 W

50 - 165 W

2.5 kHz

32.4 L (1977 cu in)

310 x 1020 x 310 mm
(12.2 x 40.1 x 12.2 in)

200 mm (7.9 in)

17.8 kg (39.2 lbs)

**3090Ci**

2-полосные с
2 x 100 mm (4.0 in)
22 mm (0.9 in)

75 Hz - 30 kHz

6 Ω

4 Ω

89 dB

25 - 100 W

50 - 165 W

2.7 kHz

6.6 L (403 cu in)

430 x 152 x 216 mm
(16.9 x 6.0 x 8.5 in)

6.0 kg (13.2 lbs)



ACOUSTICS

QACOUSTICS.CO.UK

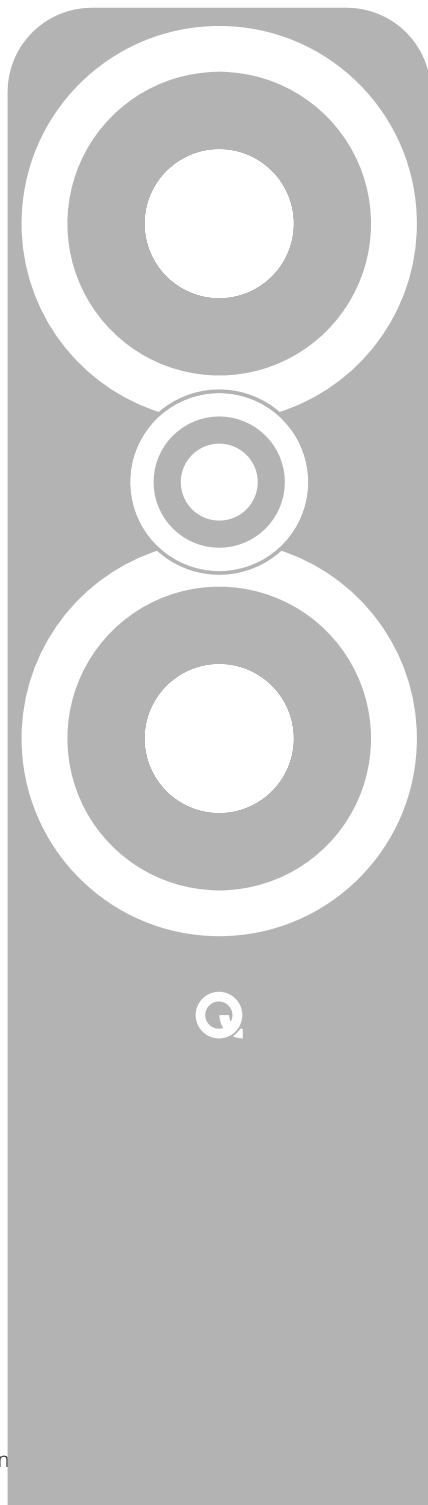
Наша компания старается постоянно улучшать нашу продукцию.
Компания оставляет за собой право вносить изменения в конструкцию и технические характеристики без предварительного уведомления.
В данный документ могут вноситься изменения без предварительного извещения.



3000i-serien

ÄGARMANUAL

EN	ENGELSKA	01
DE	TYSKA	19
ES	SPANSKA	37
FR	FRANSKA	55
IT	ITALIENSKA	73
NL	HOLLÄNDSKA	91
PL	POLSKA	109
PT	PORTUGISISKA	127
RU	RYSKA	145
SV	SVENSKA	163
ZH	KINESISKA	181



Viktig säkerhetsinformation och varningar

1. Säkerhetsinformation och varningar

Innan du gör några anslutningar till dina högtalare ser du till att alla aktiva enheter i ditt system är avstängda från elnätet.

Ställ in huvudvolymen på en låg nivå när du slår på ditt ljudsystem eller byter ingångskällor. Justera sedan upp nivån gradvis.

Spela **ALDRIG** ditt ljudsystem på högsta volym. Volymkontrollens läge är vilseledande och indikerar inte systemets effektnivå. Användning av en hög volyminställning kan skada din hörsel.

1.1: Instruktioner

Läs och förstå dessa instruktioner innan du använder dina högtalare. Om skador orsakas av att dessa instruktioner inte följs gäller inte garantin. Vänligen behåll dessa anvisningar på ett säkert ställe.

Läs dessa instruktioner.

Behåll dessa instruktioner.

Beakta alla varningar.

Följ alla instruktioner.

Använd inte apparaten i närheten av vatten.

Anslut INTE högtalarterminalerna till nätuttaget.

Installera inte i närheten av värmekällor som radiatorer, värmeaggregat, spisar eller andra apparater (inklusive förstärkare som producerar värme).

Använd endast tillbehör/tillbehör som anges av tillverkaren.

Koppla ur den här apparaten under åskväder eller när apparaten inte används under långa perioder.

2. Uppackning av dina högtalare



Packa upp högtalarna helt. Lyft högtalarna från kartongen genom att hålla i kabinetten. Använd inte skyddsmaterialet för att lyfta dem.

När du flyttar högtalarna ska du inte dra dem inte över golvet, eftersom det kan orsaka skador. Lyft upp högtalarna innan du flyttar dem.

Kontrollera högtalaren ordentligt. Om några delar är skadade eller saknade ska du rapportera detta till din återförsäljare så snart som möjligt.

Förvara förpackningen för framtida transporter. Om du kastar förpackningen ska detta göras enligt återvinningsbestämmelserna i ditt område.

3. Installation

• Använd endast tillbehören som levereras med produkten.

• För att förhindra skador måste enheten monteras säkert på golvet i enlighet med installationsanvisningarna.

• Använd inte provisoriska stativ. Montera Q Acoustics-stativet enligt anvisningarna och använd medföljande fästdetaljer. Återförsäljaren kan bistå med råd.

• Om du spelar dina högtalare utan att de är utrustade med gallren, var då försiktig med att skydda enheterna från skador.

• Demontera **INTE** högtalaren. Detta gör garantin ogiltig.

• Anslut inte högtalarterminalerna till nätuttaget.

• Utsätt inte högtalarna för orimlig kyla, värme, fuktighet eller solljus.

• Användningen av denna apparat är angiven för tropiska och/eller måttliga klimat.

3.1: Fukt

• För att minska risken för brand eller elektrisk stöt ska apparaten inte utsättas för regn, fukt, dropp eller stänk.

• Använd inte apparaten nära vatten.

3.2 Underhåll

Överlåt all service till kvalificerad servicepersonal. Service krävs om apparaten har skadats på något sätt, om vätska har spillts på den eller om föremål har fallit in i apparaten, om apparaten har utsatts för regn eller fukt, inte fungerar normalt eller har tappats.

4.0: Symboler som används på denna produkt

Varningssymbol



"Utropstecknet" uppmärksammar funktioner som du noggrant bör läsa om i bruksanvisningen för att förhindra drift och underhållsproblem.

VARNING: För att förhindra elektrisk stöt ska du matcha den breda stickproppen med den breda luckan och sätt in den helt.

Elektriskt avfall och elektronisk utrustningssymbol

Denna symbol indikerar att när enheten ska kasseras måste den separeras från andra typer av hushållsavfall och skickas till separata uppsamlingsanläggningar för återvinning och återanvändning av elektrisk och elektronisk utrustning.



Se till att du är bekant med dina lokala regler om den separata samlingen av elektriska och elektroniska produkter.

Introduktion

Tack för att du har köpt en produkt från Q Acoustics.

Denna bruksanvisning är avsedd att hjälpa dig med installationen så att du får optimal prestanda från produkten.

Läs instruktionerna, viktiga säkerhetsanvisningar och varningar innan du installerar och använder produkten för att säkerställa en säker och tillfredsställande användning av produkten.

Högtalarna i Q Acoustics 3000i-serien har utformats för att motsvara de högsta förväntningarna hos hängivna tvåkanalsaudiofiler och klarsynta filmålskare.

Serien omfattar:

3010i: Liten kompakt högtalare med ett baselement på 100 mm (4 tum).

3020i: Liten högtalare med ett baselement på 125 mm (5 tum).

3030i: Liten högtalare med ett baselement på 165 mm (6,5 tum).

3050i: Golvhögtalare med baselement på 2 x 165 mm (6,5 tum).

3060S: 150 watt aktiv subwoofer med ett element på 200 mm (8,0 tum).

3090Ci: Centerkanal med baselement på 2 x 100 mm (4 tum).

I kartongen finns: Högtalaren/högtalarna och den här bruksanvisningen.

Dessutom innehåller förpackningen för följande modeller:

3050i: Bakre stöd, spikes och bottenplattor för spikes till varje högtalare. En insexnyckel för att justera spikes efter montering.

3060S: En nätkabel eller flera nätkablar, spikes och bottenplattor för spikes.

Kontrollera produkten noggrant. Meddela återförsäljaren snarast om några delar är skadade eller saknas.

Vi hoppas att du gillar upplevelsen av Q Acoustics.

Förberedelser

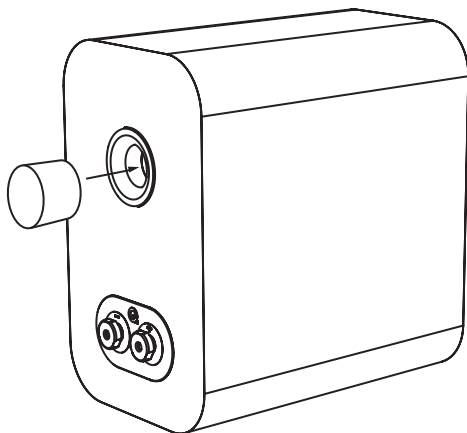


Lyft högtalarna från kartongen genom att hålla i kabinetten. Rör inte elementen och använd inte skyddspåsarna för att lyfta dem. 3050i- och 3060S-serien är tunga. Be någon om hjälp med att lyfta dem vid behov.

Skumgummiproppar

Högtalare i 3000i-serien är portade bak och fungerar bäst med visst utrymme bakom dem, dvs ca 200 mm från väggen. Om du placerar dina högtalare nära en vägg eller i ett hörn ska skumgummipropparna sättas i de bakre portarna för att undvika för mycket bas.

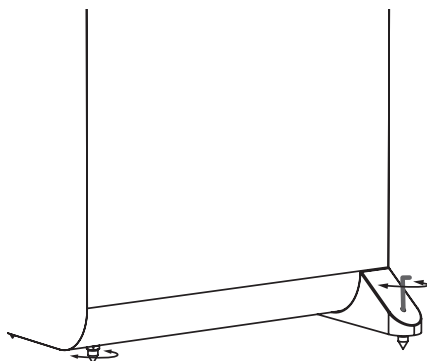
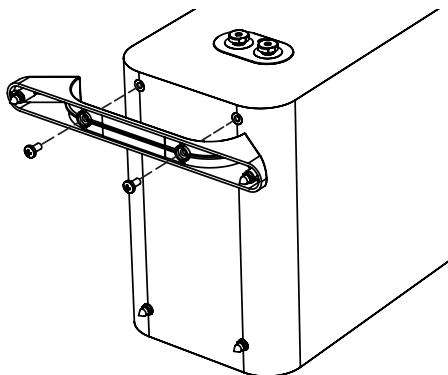
Se till att propparna sitter ordentligt i porten utan att skjuta in dem för långt. Resultatet är att basnivån sänks men definitionen och basfrekvensen höjs. Experimentera med placeringen av högtalarna för att se vad du föredrar och gör små ändringar åt gången för att optimera resultatet.



*Spikes är vassa. Var försiktig!
Placera aldrig en högtalare med spikes där den kan orsaka skador!
Flytta alltid på högtalarna genom att lyfta dem, dra dem aldrig över golvet!*

3050i – Fäst det bakre stödet

Skruva dit spikes med låsmuttrar halvvägs in i högtalarsockeln och ställ tillbaka högtalaren i ett upprätt läge. (Om du har trä- eller stengolv, tryck dit en bottenplatta på varje spike innan du ställer högtalaren i ett upprätt läge) När högtalaren är upprätt, sätt dit insexnyckeln på den övre delen av varje spike och justera dem tills högtalaren är vågrät och stabil.



Använd medföljande skruvar för att sätta fast fötterna enligt bilden.

Positionering



Alla högtalare kan användas nära TV-skärmar utan problem, förutom högtalare i 3060S-serien som inte bör användas inom 500 mm från en TV-skärm eller annan magnetiskt känslig utrustning. Plasmaskärmar och LCD-skärmar påverkas inte.

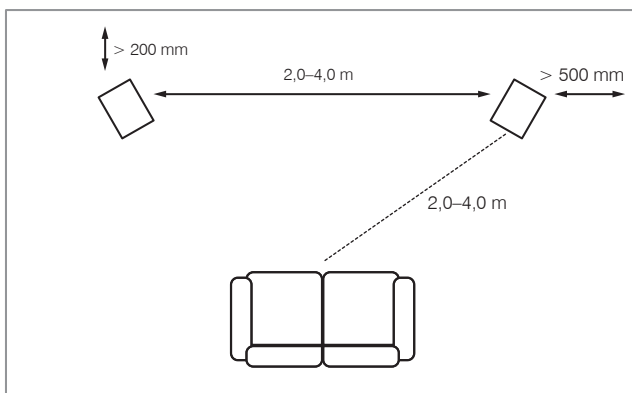
3010i, 3020i och 3030i

Högtalare i 3010i-serien, 3020i-serien och 3030i-serien ska helst monteras på Q Acoustics, 3010i-serien och 3020i-serien golvstativ eller på väggen. Om högtalaren monteras på golvstativ ska diskantenheten vara i öronhöjd med den sittande lyssnaren. Vägghögtalare ska sitta något högre med högtalaren vinklad nedåt. Högtalare på golvstativ ska behandlas likadant som högtalare som står på golvet, förutom att högtalaren kan placeras lite närmare bakväggen. Det går också att montera högtalaren på en hylla.

Ett särskilt fäste för väggmontering av Q Acoustics 3010i, 3020i och 3090Ci finns som tillval hos återförsäljaren. Golvstativ för 3010i, 3020i och 3030i finns också tillgängliga. Ta god tid på dig att experimentera för att hitta installationen som passar din smak i det aktuella rummet.

3050i

Högtalare i 3050i-serien måste placeras minst 200 mm från en bakvägg och 500 mm från sidoväggarna. Om högtalarna placeras närmare väggen ökar basen och kan orsaka ljudbang samt att ljudet saknar precision och detaljer. Högtalarna bör placeras 2–4 meter från varandra och centralt i förhållande till den sittande lyssnaren. Om du vrider högtalarna inåt något skärps stereobilden men ljudkällan smalnar.



Subwoofer

Basfrekvenser är huvudsakligen rundstrålande. Detta innebär att det går att placera subwoofern i stort sett var som helst, men stereobilden blir bättre om subwoofern placeras i samma höjd som de främre högtalarna och så centralt som möjligt i förhållande till lyssningspositionen. Detta är kanske inte möjligt i ett flerkanalssystem. Om subwoofern placeras för nära en vägg förstärks basen. Den kan bli dåande

och oklar i vissa placeringar.

Centerhögtalare

3090Ci

3090Ci-högtalaren har utvecklats att användas nära en TV-skärm och i en central position. Den ska placeras strax ovanför eller under skärmen. Om du har en Plasma- eller LCD-skärm ska 3090Ci-högtalaren monteras på väggen eller annan lämplig yta strax ovanför eller under skärmen med hjälp av Q Acoustics väggfäste. Om inte är det lämpligt att placera TV:n på en bänk med 3090Ci-högtalaren på en fast hylla strax under TV:n.

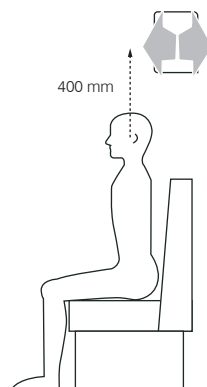


Dolby och dubbel-D-symbolen är varumärken som tillhör Dolby Laboratories.

Surroundhögtalare

Det finns rekommendationer för 5.1-högtalarsystem från Dolby labs. Surroundhögtalare ska monteras på vardera sida av lyssnaren, strax bakom lyssningspositionen. Högtalarna ska placeras vända inåt monterade på rummets sidovägg eller, om rummet är stort, på höga stativ och med högtalarnas mittpunkt ovanför öronhöjden på den sittande lyssnaren.

För de övre högtalarna som används i flerkanalsinstallationer rekommenderar vi Q Acoustics monterings Sortiment.



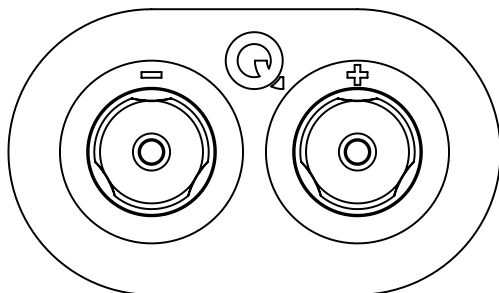
Anslutningar



Innan du gör några anslutningar till dina högtalare ser du till att alla aktiva enheter i ditt system är avstängda från elnätet. Ställ in huvudvolymen på en låg nivå när du slår på ditt ljudsystem eller byter ingångskällor. Justera sedan upp nivån gradvis.

Terminaler och kontakter

3010i, 3020i, 3030i, 3050i och 3090Ci har två bryggekopplingar.



3010i, 3020i, 3030i, 3050i och 3090Ci

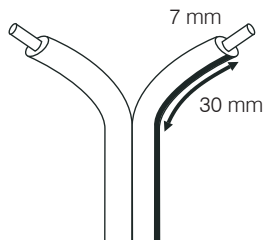
Högtalarkablar

Kablar särskilt avsedda för högtalare ger en högre standard återgivning av ljudet än kablar avsedda för allmänt bruk, t ex ringtråd. Använd kablar med mycket koppar för främre kanaler och centerkanalen. Tunna kablar minskar basen och begränsar det dynamiska området. Surroundkanaler (bakre) är inte lika viktiga.

Högtalarkablar har en polaritetsindikator längs en av kabelkärnorna. I vedertaget bruk ansluts denna till den positiva polen. Kablarna som ansluter förstärkaren till de främre högtalarna ska helst vara lika långa. Skarva aldrig kablar. Använd alltid hela kablar.

Förberedelse av kablar

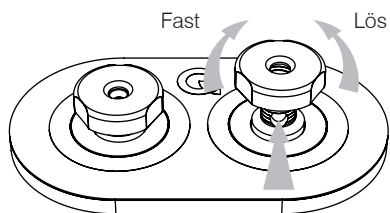
Dela kabeln till ett djup av ca. 40 mm. Skala av 10 mm av isoleringen och tvinna ändarna så att alla trådar kommer med. Skär av kabeln så att 7 mm blottad ledning är synlig.



Anslutning av ingångar

Skruva loss ingången moturs så att monteringshållet vid ingångens fot syns.

Skjut in kabelns blottade ände i hålet. Dra åt ingången helt för hand. Se till att det inte finns några trådar som sticker ut som kan komma i kontakt med närliggande ingångar. Det är inte tillåtet att använda 4 mm högtalarpluggar enligt EU:s säkerhetsföreskrifter.

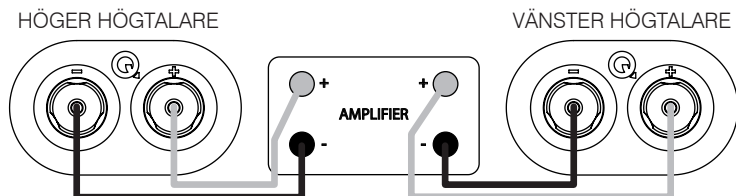


Stereoanslutningar

Standardkontakter

Anslut den RÖDA (+) ingången på den högra högtalaren till den RÖDA, positiva (+) ingången på den högra kanalen på förstärkaren. Anslut SVART (-) ingång på högtalaren till motsvarande SVART, negativ (-) ingång på förstärkaren. Upprepa för VÄNSTER kanal.

Standardanslutning:



Efterskötsel

Skötsel av kabinett



Rengör endast kabinetten med en lätt fuktad trasa. Använd inte lösningsmedelsbaserade rengöringsmedel. Använd aldrig slipmedel av något slag.

Kabinettens ytor behöver vanligtvis endast lätt damning. Om du använder en aerosol eller annat rengöringsmedel användas ska du applicera rengöringsmedlet på tyget först och inte direkt på produkten. Testa ett litet område först eftersom vissa rengöringsmedel kan skada ytan. Undvik produkter som är slipande eller innehåller sura eller alkaliska ämnen. Använd inga rengöringsmedel på drivenheterna och undvik att röra dem eftersom skador kan uppstå.

Galler

Galler ska endast rengöras med en mjuk borste vid behov.



Om du använder Q Acoustics-högtalaren med gallren borttagna, kom då ihåg att sätta tillbaka dem om husdjur eller barn är närvarande.

Drivenheter

Rör inte drivenheterna eftersom de lätt skadas vid exponering.

Garanti

Q Acoustics passiva högtalarprodukter garanteras vara fria från brister i material och utförande under en period av 4 år (1 år för subwoofern) från inköpsdatumet. Under garantiperioden kommer Q Acoustics att, efter eget val, reparera eller ersätta någon produkt som upptäckts vara defekt efter inspektion av företaget eller dess utsedda distributör eller agent.

Missbruk och normalt slitage omfattas inte av garantin.

Produkter som behöver lagas ska i första hand returneras till leverantören. Om detta inte är möjligt kontaktar du Q Acoustics eller vår utsedda distributör för ditt område för att få information om den korrekta garantirutinen. Om möjligt ska produkten returneras i originalförpackningen eftersom skador som kan uppstå under transporten till verkstaden inte omfattas av garantin. Garantin påverkar inte på något sätt dina juridiska rättigheter.

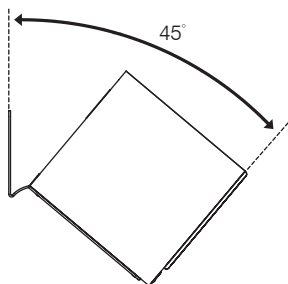
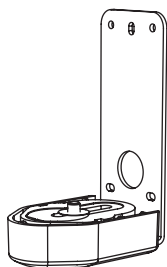
Garantin kan utökas till fem år (två år för subwoofern) om du registrerar din produkt på www.qacoustics.co.uk/register.

För serviceinformation kontakta: support@qacoustics.co.uk

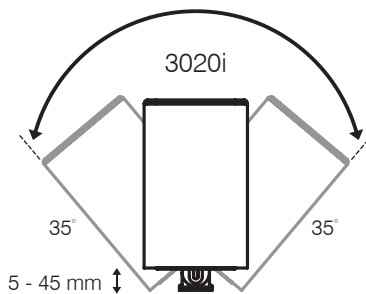
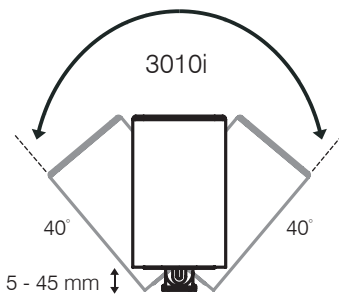
Q Acoustics
Woodside 2
Dunmow Road
Bishops Stortford
Hertfordshire, UK
CM23 5RG

Tillbehör

Väggfäste (enkel)
 3010i/3020i/3090Ci
 Svart och vitt

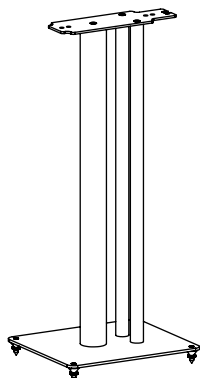


Mått (BxHxD mm): 70 x 159 x 99 mm



Högtalarstativ (par)

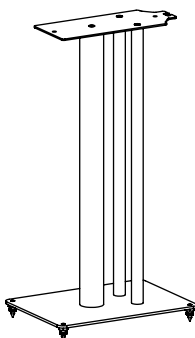
3010i/3020i
 Svart och vitt



Mått (BxHxD mm):
 250 x 682 x 290 mm

Högtalarstativ (par)

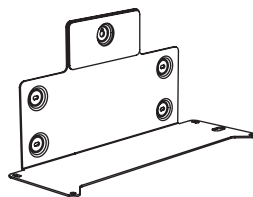
3030i
 Svart och vitt



245 x 635 x 340 mm

Subwoofer, väggfäste

3060S
 Svart



422 x 222 x 163 mm

Specifikationer

Passiva högtalare

Chassityp:	2-vägsreflex
Basenhet:	100 mm (4.0 in)
Diskantenhet:	22 mm (0.9 in)
Frekvensomfång (+/-3 dB, -6 dB):	65 Hz - 30 kHz
Genomsnittlig impedans:	6 Ω
Minimipedans:	4 Ω
Känslighet (2,83v@1m):	86 dB
Förstärkareffekt, stereo:	15 - 75 W
AV-mottagares effekt (2-kanalsdriven):	50 - 125 W
Delningsfrekvens:	2.6 kHz
Volym:	4.0 L (244 cu in)
Kabinettets mått (BxHxD mm):	150 x 253 x 252 mm
(inkl. galler, anslutning och fötter)	(5.9 x 10.0 x 10.0 in)
Kapslingsbredd:	
Vikt (per talare):	4.1 kg (9.0 lbs)



3010i

Chassityp:	2-vägsreflex
Basenhet:	100 mm (4.0 in)
Diskantenhet:	22 mm (0.9 in)
Frekvensomfång (+/-3 dB, -6 dB):	65 Hz - 30 kHz
Genomsnittlig impedans:	6 Ω
Minimipedans:	4 Ω
Känslighet (2,83v@1m):	86 dB
Förstärkareffekt, stereo:	15 - 75 W
AV-mottagares effekt (2-kanalsdriven):	50 - 125 W
Delningsfrekvens:	2.6 kHz
Volym:	4.0 L (244 cu in)
Kabinettets mått (BxHxD mm):	150 x 253 x 252 mm
(inkl. galler, anslutning och fötter)	(5.9 x 10.0 x 10.0 in)
Kapslingsbredd:	
Vikt (per talare):	4.1 kg (9.0 lbs)

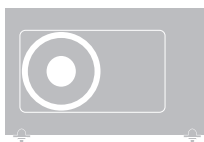


3020i

Chassityp:	2-vägsreflex
Basenhet:	125 mm (5.0 in)
Diskantenhet:	22 mm (0.9 in)
Frekvensomfång (+/-3 dB, -6 dB):	64 Hz - 30 kHz
Genomsnittlig impedans:	6 Ω
Minimipedans:	4 Ω
Känslighet (2,83v@1m):	88 dB
Förstärkareffekt, stereo:	25 - 75 W
AV-mottagares effekt (2-kanalsdriven):	50 - 125 W
Delningsfrekvens:	2.4 kHz
Volym:	6.1 L (372 cu in)
Kabinettets mått (BxHxD mm):	170 x 278 x 282 mm
(inkl. galler, anslutning och fötter)	(6.7 x 11.0 x 11.1 in)
Kapslingsbredd:	
Vikt (per talare):	5.5 kg (12.1 lbs)

Aktiv subwoofer

Chassityp:	Sluten låda
Basenhet :	200 mm (8.0 in)
Förstärkareffekt:	150 W Class-D
Frekvensomfång (+/-3 dB, -6 dB):	35 Hz - 250 Hz
Crossover frekvens:	35 Hz - 250 Hz (var.)
Volym:	10.6 L (647 cu in)
Kabinettets mått (BxHxD):	480 x 300 x 150 mm (18.9 x 11.8 x 5.9 in)
	324 mm (12.7 in) inkl. spikes
Vikt:	8.5 kg (18.7 lbs)



3060S

Chassityp:	Sluten låda
Basenhet :	200 mm (8.0 in)
Förstärkareffekt:	150 W Class-D
Frekvensomfång (+/-3 dB, -6 dB):	35 Hz - 250 Hz
Crossover frekvens:	35 Hz - 250 Hz (var.)
Volym:	10.6 L (647 cu in)
Kabinettets mått (BxHxD):	480 x 300 x 150 mm (18.9 x 11.8 x 5.9 in)
	324 mm (12.7 in) inkl. spikes
Vikt:	8.5 kg (18.7 lbs)

**3030i**

2-vägsreflex

165 mm (6.5 in)

22 mm (0.9 in)

46 Hz - 30 kHz

6 Ω

4 Ω

88 dB

25 - 75 W

50 - 145 W

2.4 kHz

12.5 L (763 cu in)

200 x 325 x 329 mm

(7.9 x 12.8 x 13.0 in)

6.4 kg (14.1 lbs)

**3050i**

2-vägsreflex

2 x 165 mm (6.5 in)

22 mm (0.9 in)

44 Hz - 30 kHz

6 Ω

4 Ω

91 dB

25 - 180 W

50 - 165 W

2.5 kHz

32.4 L (1977 cu in)

310 x 1020 x 310 mm

(12.2 x 40.1 x 12.2 in)

200 mm (7.9 in)

17.8 kg (39.2 lbs)

**3090Ci**

2-vägsreflex

2 x 100 mm (4.0 in)

22 mm (0.9 in)

75 Hz - 30 kHz

6 Ω

4 Ω

89 dB

25 - 100 W

50 - 165 W

2.7 kHz

6.6 L (403 cu in)

430 x 152 x 216 mm

(16.9 x 6.0 x 8.5 in)

6.0 kg (13.2 lbs)



QACOUSTICS.CO.UK

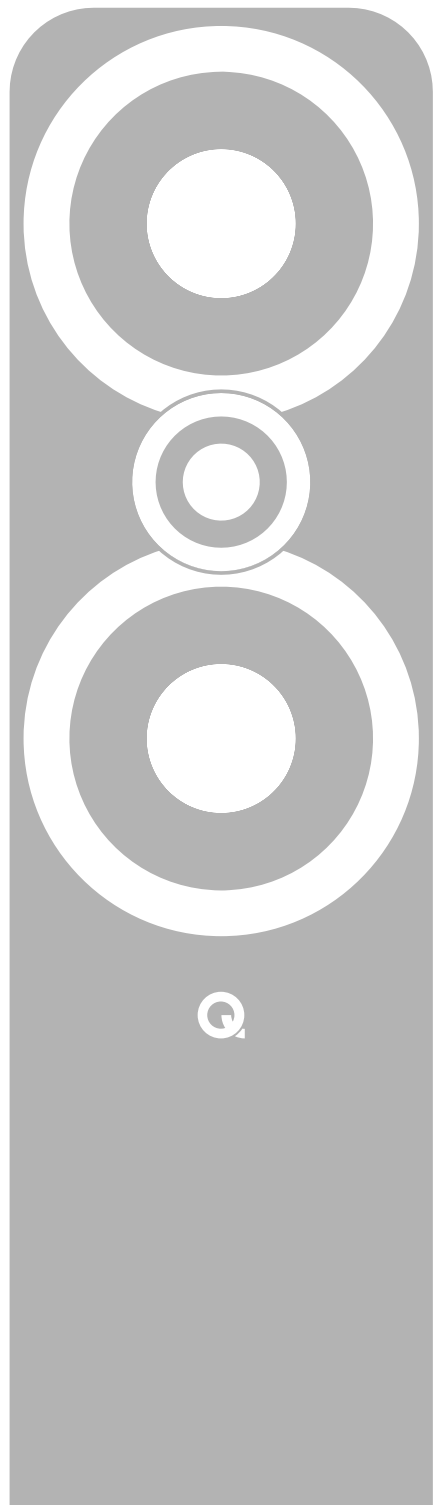
Vår policy är en kontinuerlig produktförbättring.
Vi förbehåller oss rätten att ändra design och specifikationer utan föregående meddelande.
Det här dokumentet innehåller information som kan komma att ändras utan förvarning.



3000i 系列

用户手册

EN	英文	01
DE	德语	19
ES	西班牙语	37
FR	法语	55
IT	意大利语	73
NL	荷兰语	91
PL	波兰语	109
PT	葡萄牙语	127
RU	俄语	145
SV	瑞典语	163
ZH	中文	181



重要安全信息和警告

1.安全信息和警告

在连接本产品之前，应确保系统中所有有源部件的电源处于关闭状态。

当开启发声系统或改变音源输入时，请将主音量控制器设定在低位。调高音量应采用渐进方式。

切勿将音量控制开关设置在最高。因为音量控制开关位置与实际音量大小可能不会完全吻合。音量过高会损伤您的听力。

1.1.操作指南

使用音箱前，阅读并理解这些操作指南。若因不遵守操作指南导致损坏，不享受保修服务。请将操作指南保存在安全之处。

阅读这些操作指南。

保存这些操作指南。

注意所有警告。

遵守所有操作指南。

请勿在靠近水的地方使用本设备。

切勿将音箱接线端与电源连接。

请不要安装在散热器、热调节装置、炉灶或其他发热装置（包括放大器）等任何热源附近。

仅使用制造商规定的附件/配件。

在雷雨天气或长时间不使用时，拔下该设备的插头。

2.打开音箱包装



将音箱外部包装全部打开。握住音箱的箱体将其抬出纸板箱。切勿抓住塑料保护袋来抬出设备。

在移动音箱时，切勿在底板上拖拽以防造成损坏：在移动前要先抬起每个音箱。

仔细检查音箱。如果任何物品损坏或缺失，请尽快向零售商反映。

请保留包装以备日后搬运。如果您不保留包装，请按照您所在地区的废弃物回收条例将其妥善处置。

3.安装

- 只使用产品自带的配件。
- 该装置必须依照安装操作指南，稳固安装在地板上，以防损坏。
- 请勿使用临时支架。请使用随付的所有零部件，按操作指南安装 Q-Acoustics 专用支架。如有需要，可进一步咨询您的经销商。

- 如果您在使用音箱时未安装网罩，请小心保护驱动器免受损坏。

- 切勿私自拆卸音箱。此举将使您的产品保修失效。

- 切勿将音箱接线端与电源连接。

- 切勿将音箱暴露在过冷、过热、潮湿及曝晒的环境中。

- 该装置适合在热带和/或温和气候下使用。

3.1.湿度

- 为了降低起火或触电风险，该装置不得暴露在下雨、潮湿、水滴或泼溅环境中。

- 请勿在靠近水的地方使用本设备。

3.2.维修

要进行任何维修，请洽询合格的服务人员。本装置受到任何形式的损坏，液体溢出或物体掉入装置、装置暴露在雨中或受潮、无法正常运行、跌落等，都必须进行维修。

4.0.本产品所用标志危险警告标志



“感叹号”提醒您注意，应仔细阅读该手册，防止操作和维护问题。

小心：为防止触电，将插头上的宽插片与宽插槽匹配，充分插入。



报废电子电气设备标志

该标志表示丢弃该装置时，必须将其与生活垃圾分开，送往单独的收集场所，以便回收利用电子电气设备。

请确保熟悉关于单独收集电子电气产品的当地法规。

简介

感谢您购买 Q Acoustics。

本手册旨在引导您完成设置和安装过程，帮助实现产品最佳性能。

请在安装和使用之前仔细阅读操作指南、重要安全信息和警告，以确保本产品实现安全和令人满意的运行。

Q Acoustics 3000i 系列包含多款音箱，旨在满足专业两声道高保真音响爱好者及家庭影院爱好者的最高要求。

该系列由以下产品组成：

3010i：集成架式音箱，配备一个 100 mm (4.0 inches) 低音驱动器。

3020i：架式音箱，配备一个 125 mm (5.0 inches) 低音驱动器。

3030i：架式音箱，配备一个 165 mm (6.5 inches) 低音驱动器。

3050i：落地式音箱，配备两个 165 mm (6.5 inches) 低音驱动器。

3060S：150 瓦有源低音炮，配备一个 200 mm (8.0 inches) 驱动器。

3090Ci：中置音箱，配备两个 100 mm (4.0 inches) 低音驱动器。

产品包装箱中含有：音箱及产品手册。

此外，以下型号包装中包括：

3050i：每个音箱附带后部稳定装置、螺钉和螺帽。螺钉安装后用内六角扳手调节。

3060S：一根或几根主电源线、螺钉和螺帽。

仔细检查产品。如果任何物品损坏或缺失，请尽快向经销商反映。

我们希望您能享受 Q Acoustics 带来的体验。

准备

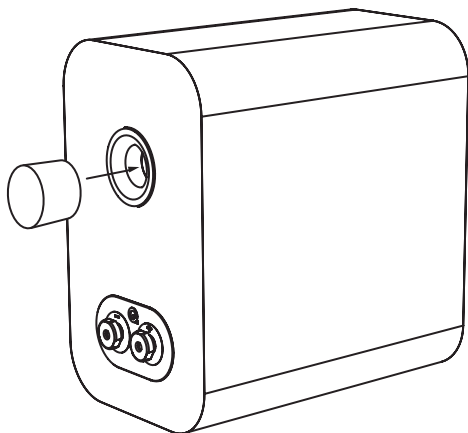


握住音箱的箱体将其抬出纸箱。切勿接触驱动器或借助保护袋来抬出设备。3050i 和 3060S 很重，必要时请别人帮忙抬出。

泡沫塑料塞

3000i 系列音箱背部有开孔，设计的最佳工作环境是在其背部与墙壁之间留出一定空间（大约 200mm）。如果将音箱紧靠墙/角落放置，则应该将泡沫塑料塞塞入背部的开孔中，以免低音过强。

确保将塞子妥善塞入开孔中而不要塞入过深。您将发现低音减轻了，但解析度和低频延伸均有改善。反复试验，了解自己的喜好，微调音箱位置，优化最终音响效果。



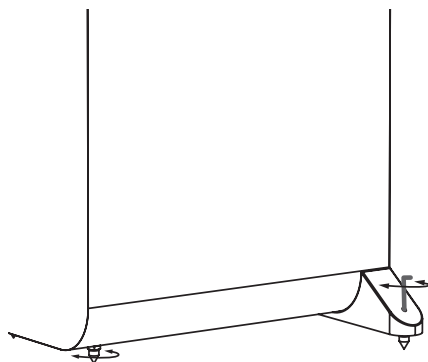
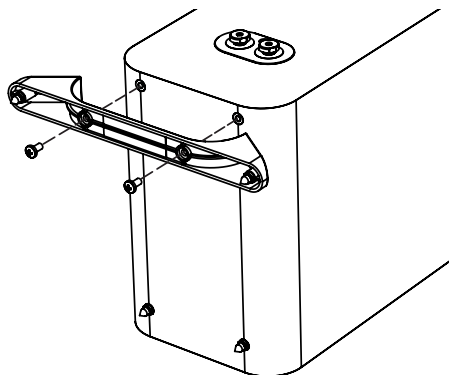
螺钉锋利。请小心操作！

切勿将安装了螺钉的音箱放在可能造成破坏之处！

移动音箱时，请将其抬起，切勿在地面拖曳！

3050i - 连接后部稳定装置

将螺钉装上锁紧螺母，半置于底座中，将音箱恢复为直立位置。（若您使用木地板或石头地板，将音箱恢复为直立前，给每个螺钉套上螺钉保护套）音箱正确直立安放之后，将内六角扳手从上方插入每个后部螺钉，旋入或旋出螺钉，直到音箱达到水平稳固。



如图所示，使用随附的螺钉固定支脚。

定位



除了 3060S 必须在距电视机屏幕显示器及其他磁性敏感设备 500mm 外区域使用外，所有音箱都可靠近电视机显示器使用，不会对电视造成干扰。等离子和 LCD 屏幕不受影响。

3010i, 3020i 和 3030i

3010i, 3020i 和 3030i 最好安装在 Q Acoustics, 3010i 和 3020i 落地支架或墙上。若您安装支架，高音单元的安装高度应与坐着听众的耳朵平齐。墙上安装的音箱可安装略高一些，让音箱略向下倾斜。除非音箱放置位置更为靠近背墙，否则支架安装的音箱应视为落地式音箱。音箱也可以选择架式安装。

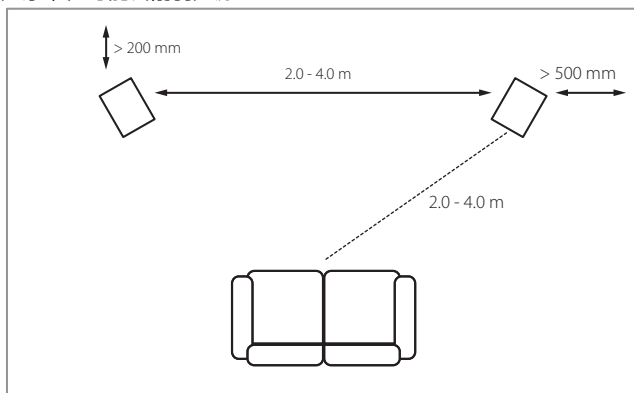
专门用于 Q Acoustics 3010i、3020i 和 3090Ci 墙上安装的选配支架可向经销商购买。3010i, 3020i 和 3030i 的落地支架同样有售。您可在自己的视听室中反复测试，直到找到最适合您品味的设置。

3050i

3050i 音箱放置位置应离背墙至少 200mm，距离侧墙至少 500mm。将音箱靠近墙壁放置可改善低音效果，但会导致声音轰鸣，音准降低且细节丢失。音箱应分开 2m 到 4m，以坐着的听众为中心。将音箱稍微向内转动可增强立体声象，但可能会削弱声源。

低音炮

低音频率实际上具有全向性。这意味着您将低音炮放在哪都可以，但如能将其放在与前置音箱同一高度并尽量放置在听音位置的中央，可改善立体声象。这在多声道系统中不太可行。如果将低音炮靠近墙壁放置，低音会增强，但在某些情况下，低音可能变得沉闷含



混。
扩音式音箱

3090Ci

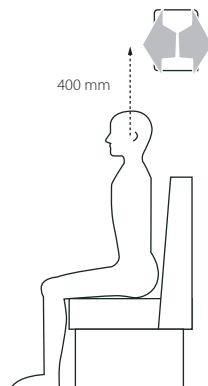
3090Ci 专门设计靠近电视机屏幕和以其为中心使用。该产品应放置在电视机屏幕上方或下方紧邻的位置。如果您的电视是等离子或 LCD 显示器，请利用 Q Acoustics 壁架，将 3090Ci 安装在紧邻电视机屏幕上方或下方的墙体上或适当表面上。若不是，则考虑将电视放置在电视柜上，3090Ci 则放置在紧邻电视下方的稳固搁板上。

 Dolby 及双 D 标志是
杜比实验室的商标。

环绕声音箱

杜比实验室对 5.1 扩音式音箱提出了以下建议。环绕声音箱应安装在听众的任一侧，比收听位置略微靠后。音箱应向内放置，要么安装在室内侧墙上，要么在房间太大情况下，放在高的支架上，使其中心高于坐着听众的耳朵高度。

对于多声道装置所用的头顶音箱，我们会建议 Q Acoustics 安装范围。



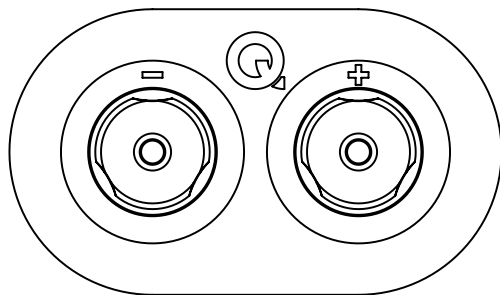
连接



在连接本产品之前，应确保系统中所有有源部件的电源处于关闭状态。当开启发声系统或改变音源输入时，请将主音量控制器设定在低位。调高音量应采用渐进方式。

接线端和连接器

3010i、3020i、3030i、3050i 和 3090Ci 是标准的两接线端分频器。



3010i、3020i、3030i、3050i 和 3090Ci

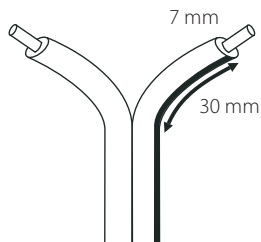
音箱线缆

相比普通的“bell”线或“zip”线而言，专用音箱线缆能够以更高的水准为您再现录音声场。使用极高纯度铜丝制成的线缆连接前置与中置音箱。过细的线缆会降低低音的强度，并限制音频的动态范围。环绕声（后置）音箱功能较小。

沿着音箱连接线的中心轴线，有条纹标识线或示踪线。根据惯例，该标识线或示踪线应该连接到正极接线端。功放与前置音箱之间的连接线最好与上述正极连接线等长。切勿连接线缆 - 请使用整根线缆。

准备线缆

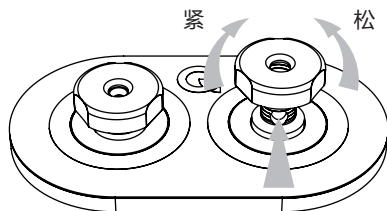
将线缆剥开约 40 mm 长。露出 10mm 的金属丝，并从末端将分散的金属丝拧在一起。修剪线缆，留下 7mm 裸露的金属丝。



连接接线端

以逆时针方向旋开接线端螺丝，露出接线柱底部的安装孔。

将裸露金属丝的一端插入安装孔。重新拧紧接线端螺丝。确保没有金属丝散落在外，以防其触碰到临近的接线端。使用 4mm 音箱插头违反欧盟的有关安全条例。

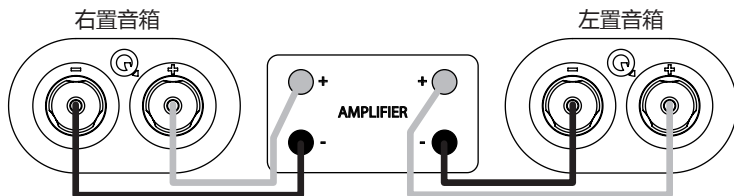


立体声连接

标准连接

请将右置音箱的红色 (+) 接线端连接到放大器右声道的红色正极 (+) 接线端。请将音箱的黑色 (-) 接线端与放大器上相应的黑色负极 (-) 接线端连接。左声道重复上述步骤。

标准连线：



售后保养

箱体保养



使用微湿的抹布清洁箱体。切勿使用溶剂基清洁材料。切勿使用任何种类的研磨剂。

箱体表面通常只需稍微除尘即可。若要使用气雾剂或其他清洁剂，请首先喷在抹布上，不得直接喷在产品上。先在小范围内实验，有些清洁产品可能损坏饰面。避免使用比较粗糙，或包含酸碱试剂的产品。切勿在驱动单元上使用任何清洁材料，避免接触这些位置，否则可能导致损坏。

音箱网罩

音箱网罩应仅在必要时用软布清洁。



若使用 Q Acoustics 音箱时取下音箱网罩，请谨记有宠物或孩子时要将网罩装回。

驱动单元

切勿接触驱动单元，若有接触，极易受损。

保修

Q Acoustics 无源音箱产品自购买之日起享受 4 年（低音炮 1 年）材料和工艺缺陷的保修服务。在保修期内，经特约分销商或代理商检查确认存在故障的任何产品，将由 Q Acoustics 自行确定是进行维修还是更换。

误用和正常损耗不在保修范围内。

需要维修的商品应首先退回当地经销商处。如果无法退回商品，请联系当地 Q Acoustics 或特约分销商，以确定正确的保修程序。如果可能，请使用原包装将产品退回，因为在送往维修中心途中所出现的损坏将不在保修范围内。保修不会以任何方式影响您的法定权利。

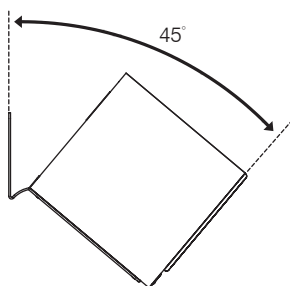
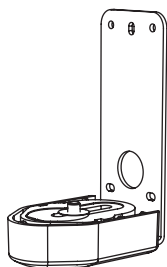
您可将保修期延长到 5 年（低音炮为 2 年），只需在 www.qacoustics.co.uk/register 上登记您的产品即可。

欲了解服务信息，请联系：support@qacoustics.co.uk

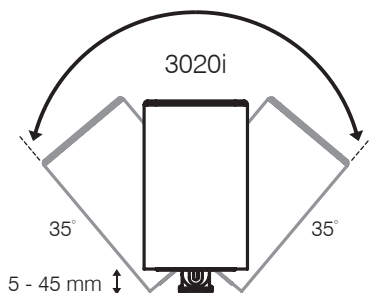
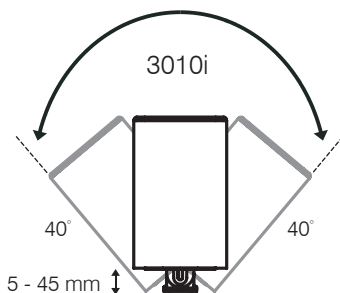
Q Acoustics
Woodside 2
Dunmow Road
Bishops Stortford
Hertfordshire, UK
CM23 5RG

配件

壁架 (单个)
3010i / 3020i / 3090Ci
黑与白

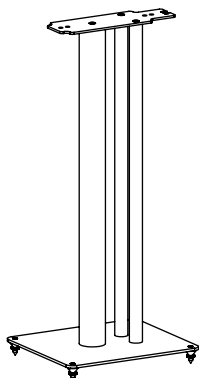


尺寸 (宽x高x长) : 70 x 159 x 99 mm



音箱支架 (对)

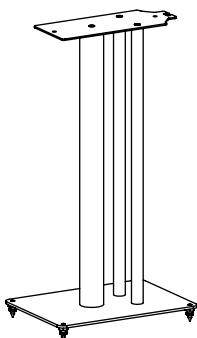
3010i / 3020i
黑色



尺寸 (宽x高x长) :
250 x 682 x 290 mm

音箱支架 (对)

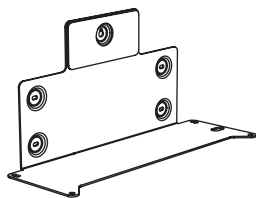
3030i
黑色



245 x 635 x 340 mm

低音炮壁架

3060S
黑色

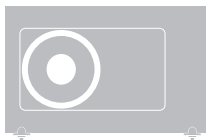


422 x 222 x 163 mm

规格



无源音箱	3010i	3020i
箱体类型：	2 路反射式	2 路反射式
低音单元：	100 mm (4.0 in)	125 mm (5.0 in)
高音单元：	22 mm (0.9 in)	22 mm (0.9 in)
频率响应 (+/-3 dB, -6 dB)：	65 Hz - 30 kHz	64 Hz - 30 kHz
平均阻抗：	6 Ω	6 Ω
最小阻抗：	4 Ω	4 Ω
灵敏度 (2.83v@1m)：	86 dB	88 dB
立体声放大器功率：	15 - 75 W	25 - 75 W
AV 接收器功率 (2ch 驱动)：	50 - 125 W	50 - 125 W
分频频率：	2.6 kHz	2.4 kHz
有效体积：	4.0 L (244 cu in)	6.1 L (372 cu in)
箱体尺寸 (宽x高x长)	150 x 253 x 252 mm	170 x 278 x 282 mm
(包括音箱网罩、接线端和支脚)	(5.9 x 10.0 x 10.0 in)	(6.7 x 11.0 x 11.1 in)
外壳宽度：		
重量 (每个箱体)：	4.1 kg (9.0 lbs)	5.5 kg (12.1 lbs)



有源低音炮	3060S
箱体类型：	无限障板
低音单元：	200 mm (8.0 in)
放大器功率：	150 W Class-D
频率响应 (+/-3 dB, -6 dB)：	35 Hz - 250 Hz
交叉频率：	35 Hz - 250 Hz (var.)
有效体积：	10.6 L (647 cu in)
箱体尺寸 (宽x高x长)	480 x 300 x 150 mm (18.9 x 11.8 x 5.9 in)
	324 mm (12.7 in) 包含螺钉
重量：	8.5 kg (18.7 lbs)



3030i
 2 路反射式
 165 mm (6.5 in)
 22 mm (0.9 in)
 46 Hz - 30 kHz
 6 Ω
 4 Ω
 88 dB
 25 - 75 W
 50 - 145 W
 2.4 kHz
 12.5 L (763 cu in)
 200 x 325 x 329 mm
 (7.9 x 12.8 x 13.0 in)

 6.4 kg (14.1 lbs)



3050i
 2 路反射式
 2 x 165 mm (6.5 in)
 22 mm (0.9 in)
 44 Hz - 30 kHz
 6 Ω
 4 Ω
 91 dB
 25 - 180 W
 50 - 165 W
 2.5 kHz
 32.4 L (1977 cu in)
 310 x 1020 x 310 mm
 (12.2 x 40.1 x 12.2 in)
 200 mm (7.9 in)
 17.8 kg (39.2 lbs)



3090Ci
 2 路反射式
 2 x 100 mm (4.0 in)
 22 mm (0.9 in)
 75 Hz - 30 kHz
 6 Ω
 4 Ω
 89 dB
 25 - 100 W
 50 - 165 W
 2.7 kHz
 6.6 L (403 cu in)
 430 x 152 x 216 mm
 (16.9 x 6.0 x 8.5 in)

 6.0 kg (13.2 lbs)



QACOUSTICS.CO.UK

我们的政策也是持续产品改进的一部分。
我们保留更改涉及和规格的权利，恕不另行通知。
本文档包含的信息可能会更改，恕不另行通知