



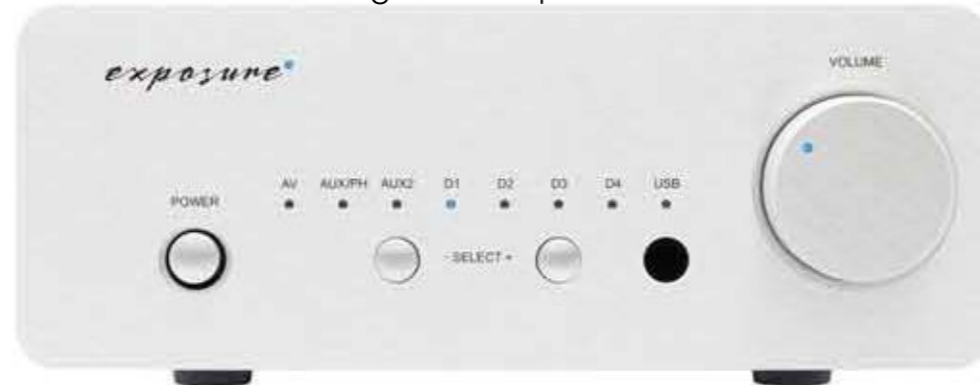
# exposure

## XM5 Integrated Amplifier



### 1 Installation

The XM5 Integrated Amplifier : Front View



a) Please set the volume control knob to minimum before connecting or disconnecting any cables.



b) Connect the mains cable to the IEC mains input socket.



c) Connect to the mains outlet on the wall. DO NOT switch on until all input and output connections are made.

### 3 Operation



a) Turn the XM5 Integrated Amplifier volume control to minimum.



b) Press the power switch on the XM5 Integrated Amplifier. The LED power indicator will light up. The XM5 Integrated Amplifier output relay will activate after a short delay.



c) Without playing any source, turn the volume control knob slowly clockwise to around 20%. You should only hear a faint hiss.



d) Press the select + or - buttons for the desired input source.

Sound should now be heard when the input source is played.

### Quick Start Manual

Thank you for purchasing the Exposure XM5 Integrated Amplifier  
www.exposurehifi.com

### Contents & before you start

Please check the contents in the box:



Exposure XM5 Integrated Amplifier



HS3 Remote Control (Batteries not included)



Mains cable



Driver Disc

Before you start:



Ensure your unit is switched off and that the volume control knob is at its minimum.



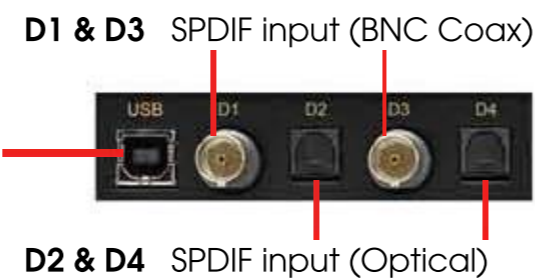
Please note that your Exposure XM5 Integrated Amplifier may take up to 48 hours to 'run-in' before reaching its optimal performance. Each subsequent 'run-in' will then take about 20 minutes.

### 2 Source Component Connections

#### INPUTS

##### DIGITAL

The XM5 Integrated Amplifier is fitted with a USB input and four (4) SPDIF inputs (D1 to D4 are for connection to CD/DVD/Satellite receiver etc.)



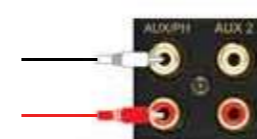
USB Connect to a PC or Media player.

##### ANALOGUE

The XM5 Integrated Amplifier is fitted with three (3) analogue inputs; AUX/PH, AUX 2, and AV. The AV input has a fixed gain for connection to AV Receivers. When AV is selected the volume control has no effect and the volume LED will go out.

- a) Connect RCA Phono cables from each source component to the respective input.
- b) Ensure left and right channels are connected correctly. (Right channel is marked in red)

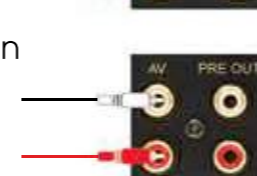
**AUX/PH** Connect to a Turntable that uses a Moving Magnet (MM) cartridge. Connect the arm ground wire to the ground terminal provided below the input socket.



**AUX 2** Line level input to connect to any line level source.



**AV** Connect to an AV Receiver, the gain on this input is fixed. When AV is selected the volume control has no effect and the volume LED will go out.



The XM5 Integrated Amplifier : Rear View



#### GROUND TERMINAL

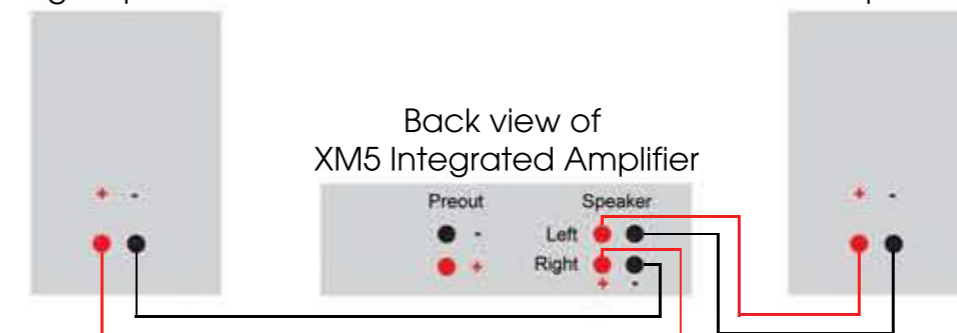
For turntable arm ground wire

#### OUTPUTS

**PRE OUT** Connect to an external Power Amplifier

**SPEAKERS** Connect to a pair of speakers

Right Speaker Left Speaker



- a) Connect left and right speakers to corresponding left and right speaker outputs on the amplifier.
- b) Connect (+) terminal of speaker to (+) terminal of amplifier.
- c) Connect (-) terminal of speaker to (-) terminal of amplifier.

**Bi-amping of Speakers** (see "Extended Set-Up" instructions overleaf)  
Bi-amping of speakers using an integrated and power amplifier provides a useful gain in subjective performance.

### 4 Remote Control



Functions for an Exposure CD Player.

Increase/decrease the volume. The LED on the volume knob will flash as the volume is adjusted.

Press the select + or - for the desired input source.

Press the appropriate button for the desired input source.

Mutes the output to minimum. The LEDs on the volume knob and the input source will go out. Press MUTE again or press the VOL- button to restore the output.

## 5 Extended Set-Up

Although the XM5 Integrated Amplifier is able to drive almost any speaker system, the best results will most likely be achieved with speakers rated at 8 ohms. While the XM5 Integrated Amplifier is compatible with most types of speaker cables, the type of cables used can influence the subjective performance of your system.

Please ask your Exposure dealer for advice on bi-amping, speaker cable compatibility and how to get the best from your XM5 Integrated Amplifier.

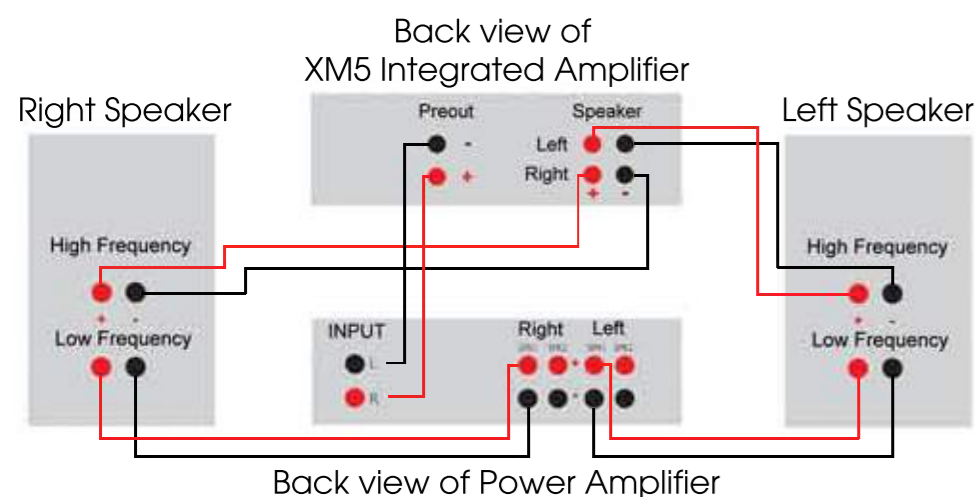
NOTE : The XM5 Integrated Amplifier is internally protected against damage from short circuits. However, no such protection is infallible, and damage may occur if positive and negative speaker cables are inadvertently connected together.

### BI-AMPING OF SPEAKERS

Bi-amping of suitable speakers using a XM5 Integrated Amplifier and an Exposure Power Amplifier provides a useful gain in subjective performance. The XM5 Integrated Amplifier is used to drive the treble units and the Power Amplifier is used to drive the bass units through the speakers' split crossover with the joining links removed.

1. Check your speaker user manual for the wiring connections.
2. Follow the diagram below for connecting a pair of speakers in bi-amping mode.

#### Connecting a pair of speakers in bi-amping mode



## 6 Technical Specifications

### Speaker Output Specifications

Power Output (1KHz):	60 Watts per channel into 8 ohms
Total Harmonic Distortion:	<0.01% at 1KHz, rated power
Frequency Response:	20Hz - 20KHz +/- 0.5dB
Channel Separation:	>60dB @ 1KHz AUX 2 input open (shorted > 80dB) >40dB @ 20KHz AUX 2 input open (shorted > 63dB)

### Pre Amplifier Specifications

Pre Amplifier Output:	Gain +12dB
Frequency Response:	20Hz - 20KHz +/- 0.5dB
Total Harmonic Distortion:	@ 1KHz: & 1V output: 0.002%
Signal to Noise Ratio ref 1KHz & 1V output:	>100dB, A weighted
Channel Separation @ 20KHz:	>62dB input shorted > 41dB input open AUX 2 input

### Input Specifications

AV input fixed level:	450mV @ 1KHz > 12K ohms S/N > 100dB
AUX/PH input MM:	2.5mV @ 1KHz, 47K ohms S/N 70dB
AUX 2 input Line:	350mV @ 1KHz > 14K ohms S/N > 100dB
SPDIF inputs BNC Coax & Optical:	32 - 192KHz @ 16-24 bits
USB input:	Linear PCM 44K1 - 192KHz @ 16-24 bits DSD x64 (DoP) Asynchronous transfer from host

### General Specifications

Mains Supply:	110/120V or 220/240V @ 50/60Hz (factory set)
Fuse:	T5AL for 110/120V units T2.5AL for 220/240V units
Power Consumption:	200W both channels driven, 8 ohms load
Dimensions (WxHxD):	218mm x 89mm x 363mm (inc knob)
Net Weight:	5kg
Gross Weight:	6kg

## 7 Caution

For a long and trouble-free life of your XM5 Integrated Amplifier, please ensure the following:

- Do not short circuit the speaker terminals.
- Do not remove the cover of the unit or dismantle the case.
- Protect the unit against all forms of liquid. Never expose the unit to dripping or splashing, or place objects filled with water; such as vases, on the unit.
- Do not operate the unit in damp environments or allow liquids to enter the unit.
- Do not attempt to bypass the mains fuse or replace the fuse with one of a different specification.
- Do not place the unit in a position which restricts cooling airflow around its case.
- Do not use abrasive or solvent-based cleaning fluids on the unit's case.

**Failure to observe these precautionary measures may void your warranty.**

## 8 Safety

Incorrect installation or inappropriate use of the XM5 Integrated Amplifier may result in injury due to electrical shock.

- Ensure that the voltage rating on the rear panel of this unit matches that of your local mains supply\*
- Ensure that the mains cable and plug supplied with this unit are also correct. (Contact your dealer immediately if this is not the case).
- This unit is protected by a mains fuse, which is accessible as part of the IEC socket on the rear panel.
- Fuse replacement specifications:  
110/120V units T5AL fuse  
220/240V units T2.5AL fuse
- Protect the unit against all forms of liquid. Never expose the unit to dripping or splashing, or place objects filled with water; such as vases, on the unit.
- Unplug the unit from the mains when not in use for prolonged periods.
- Do not open this unit - there are NO user serviceable parts inside.
- Set the volume control to minimum before turning this unit on or off.
- Ensure that this unit is switched off when connecting or disconnecting speaker and interconnect cables.
- \* Contact your Exposure dealer or distributor for advice on moving your equipment to another country or territory.

## 9 Product Disposal Instructions



The symbol shown here and on the product means that the product is classed as electrical or electronic waste and should not be disposed of with other household waste at the end of its working life.

The Waste of Electrical and Electronic Equipment (WEEE) Directive (2002/96/EC) has been put in place to recycle products using the best available recovery and recycling techniques to minimise the impact on the environment, treat any hazardous substances and avoid increasing landfill.

When you have no further use for this product, please remove any batteries and dispose of them and the product as per your local authority's recycling process. For more information please contact your local authority or the retailer where the product was purchased.

## 10 Warranty/Guarantee

- 1 The Exposure warranty entitles you to FREE repair of this unit for the first three (3) years from the date of purchase. This covers parts and labour but excludes carriage.
- 2 This warranty is valid only if the unit is purchased from an authorised Exposure dealer in your country of residence.
- 3 It is recommended to register the warranty using the form on our website:  
[www.exposurehifi.com/warranty.html](http://www.exposurehifi.com/warranty.html)
- 4 The distributor accepts no responsibility for defects arising from accident, misuse, abuse, wear and tear, neglect or through unauthorised adjustment and or repair or replacement of any components, nor will they accept responsibility for damage or loss occurred during transit to or from the person making a claim under warranty.
- 5 The Exposure warranty covers:
  - **Parts and labour costs for three (3) years from the date of purchase. It does not include carriage to or from the customer**Please retain your original receipt as proof of purchase and purchase date. The guarantee is extended only to the original purchaser and is not transferable.

#### When making claims under this warranty:

- 1 The unit should be suitably packed and returned to the dealer from whom it was purchased, together with proof of purchase or a copy of the dated sales receipt. The customer should also include their address and daytime telephone number as well as a description of the fault.
- 2 If necessary the unit should be sent carriage pre-paid by a reputable carrier, NOT by post.
- 3 No responsibility is accepted for the unit whilst in transit to the dealer or distributor, and customers are advised to insure the unit against loss or damage whilst in transit.
- 4 The dealer receipt MUST be produced when making claims against this guarantee.
- 5 Any tampering or alteration made to the dealer receipt or to the serial number on the unit will invalidate the warranty.
- 6 The dealer or distributor shall notify the customer when the repairs have been completed. The customer must claim the goods within fourteen (14) days from the date of notice, failing which, the distributor reserves the right to impose storage charges.
- 7 The distributor reserves the right to dispose of the unit after 90 days from the date of notice in a manner that it sees fit and without compensation to the customer.