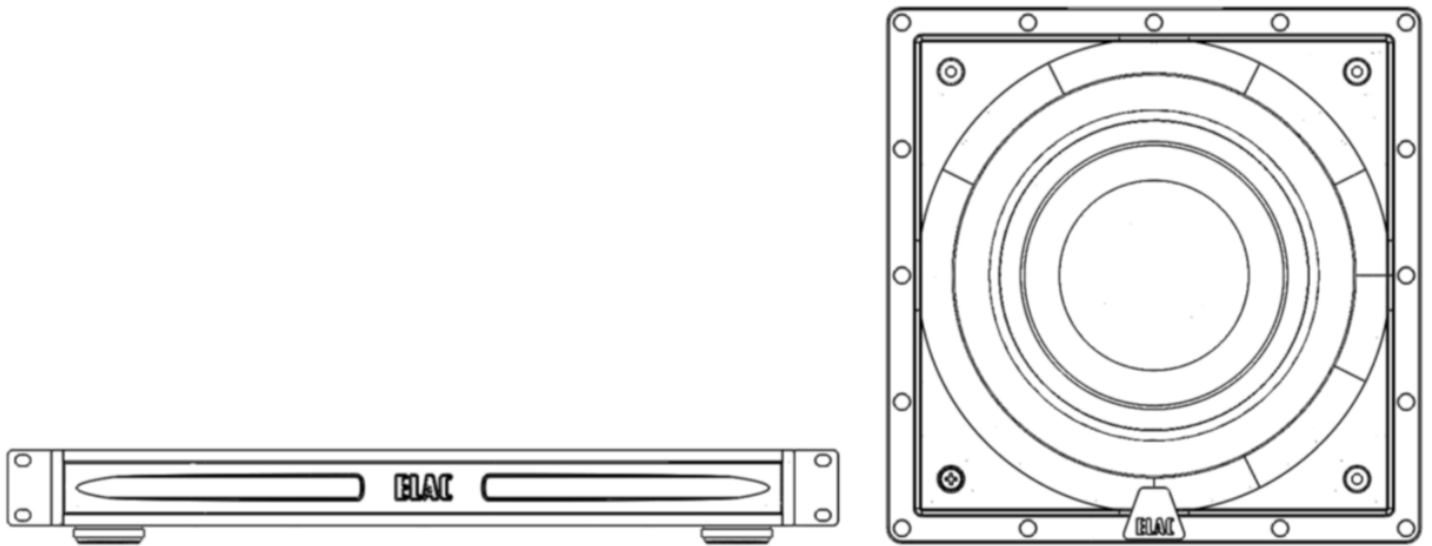


IW-S10EQ IN-WALL POWERED SUBWOOFER



IW-S10EQ Powered Subwoofer

OPERATING INSTRUCTIONS

ELAC The life of sound.

Safety Instructions

1. General information

- Please read and follow these safety instructions.
- Keep them safe for future reference.
- Observe all warnings on the speaker and in the manual. Please check the speaker for damage before use. The speaker must be in perfect working condition. Damaged parts may lead to personal injury.
- **CAUTION!** Subwoofers and active speakers are heavy. Be careful when lifting them to prevent personal injury.

2. Use only as directed

- Connect this speaker according to the instructions in the manual.
- Many ELAC speakers are equipped with spikes and / or anti-slip feet. They are explicitly provided for levelling the alignment. They have to be screwed into the thread until thread end. For levelling on an uneven floor, it is allowed to unscrew the spikes or anti-slip feet by 2-3 turns of thread. The speaker has always to be in perfect vertical alignment. The stability of the speaker must not be compromised by using spikes or anti-slip feet as the speaker may tip-over.

3. Location

- Install the speakers on a level surface only
- When choosing the location of these speakers do not place them in locations that are:
 - In direct sunlight
 - Very humid
 - Prone to vibrations
 - Exceptionally hot or cold
 - Near CRT Televisions (The speakers are not magnetically shielded and may cause color issues with a CRT based TV)
 - Close to magnetic cards (Since the speakers are not magnetically shielded placing magnetic cards such as credit cards or commuter cards may cause them to fail).

WARNING! Please ensure the product is perfectly stable to avoid severe injury from tip-over. Please note, that stability can be increased by using spikes for carpets. However, the mounting of spikes must be carried out carefully because the spikes have very sharp ends which may cause injuries. The stability on slippery floors can be increased by using Velcro fastening tape or double-sided adhesive tape. Do not install the speaker near any heat sources such as radiators, heating valves, stoves, or other apparatus (including amplifiers) that produce heat, or in areas where there is a risk of explosion.

- Do not block any ventilation openings. Install in accordance with the manufacturer's instructions.
- Don't install the speaker in a closed rack or in a closed cupboard.
- Don't put burning candles on or near the speaker.
- Do not install the speaker near transformers because electromagnetic stray fields can cause the subwoofer(s) to produce humming noise.
- In combination with certain materials / lacquers / material surfaces, anti-slip feet or spike washers may cause colored imprints on the surfaces.

4. Overload

- Extreme overload of the device due to very high volume may cause individual components to blow. Because of the possible danger, you should never leave loudspeakers under extreme overload conditions unattended.

5. Service

- **DANGER!** Do not open the cabinet because the components and conductors may carry dangerous levels of electricity! Servicing to be carried out by qualified service personnel only.
- Servicing is required when the loudspeaker has been damaged in any way, such as damage to the power supply cord or the plug, or when liquid has been spilled or objects have fallen into the loudspeaker, the speaker has been exposed to rain or moisture, does not operate normally, or has been dropped. To reduce the risk of electric shock, do not open the loudspeaker. Servicing to be carried out by qualified service personnel only.



6. Fuse links

- Various faults in subwoofers or active speakers may cause the fuse to blow. If the fuse blows, only replace it with the correct fuse type and rating as shown on the rear of the loudspeaker on the fuse holder. A second fuse is included with the device (in the fuse holder beneath the mains socket).

7. Cleaning

- **NOTE:** Clean only with soft, smooth cloth or with dust brush. Do not use scouring agents, alcohol, benzene, furniture polish or other agents for cleaning! Modern furniture is often coated with multiple varnishes and plastics which can be treated with chemical agents. Some of these agents contain substances which degrade or soften the rubber feet. Therefore we advise you to place an anti-slip mat underneath the loudspeaker.

8. Volume

- **CAUTION!** Continuous high volume may cause severe damage to your hearing. Please listen responsibly.

9. Disposal

- The packaging is made from recyclable materials. Dispose of this in an environmentally friendly manner. At end of product life do not dispose of the speaker(s) with standard household waste. The speaker must be recycled in accordance with local legislation. Ask your local government for further information on recycling as the device contains valuable raw materials. Disable the speaker before disposal.

10. Power

- This subwoofer is only intended to be connected to voltages that are listed on the rear panel of the cabinet. Connection to any other voltage may cause irreversible damage to the subwoofer and will void the warranty. Use of plug adapters is not recommended because they may allow connection to voltages other than those printed on the back of this subwoofer.

Philosophy

Thank you for purchasing this ELAC product.

When we started in 1926, ELAC has always strived to achieve the very best. This holds true as much today as it did back then.

Your new ELAC speakers are built to the highest standards using high-quality components that are carefully constructed to deliver the best-in-class sound quality. They are developed by a passionate group of individuals whose soul purpose is to bring a new dimension of sound quality into your home. Enjoy!

Before Use

- Avoid damage to the speakers and other components:
- Unbox the subwoofer and amplifier carefully to avoid physical damage
- Keep your equipment turned off before connecting interconnects or speaker cables
- Check to ensure power cable is pushed in and secured to avoid electrical shock and injury.

BASH Technology

The BASH® technology implemented in the amplifier module of the ELAC subwoofer features power reserves with much lower levels of distortion. This is achieved by using an audiophile class A/B power amplifier whose supply voltage is regulated by a class D amplifier circuit to prevent any unnecessary power losses and to obtain the efficiency of a class D amplifier.

Since the audio signal is amplified in the analog domain, the high-frequency interference typical of digital amplifiers is eliminated. This design results in a low-noise amplifier with lower electromagnetic interference emissions. The absence of crossover distortion, which is a problem in traditional class D designs where the switching speed of the transistors is limited, yields further improvement in total harmonic distortion.

CVC (Cabinet Volume Correction)

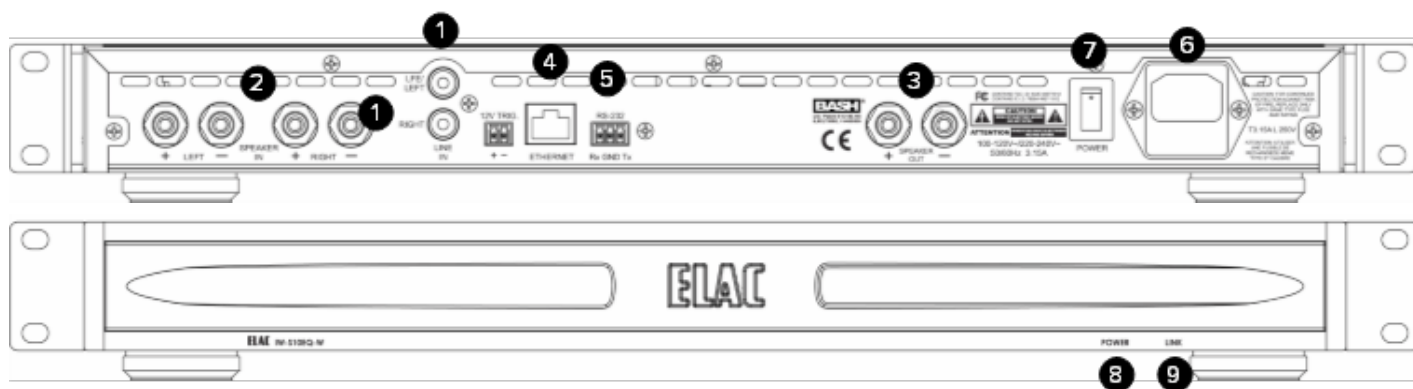
When a subwoofer is mounted into a cavity wall or a ceiling its low frequency performance is influenced by the volume of the airspace behind the driver. As this volume is generally unknown the driver will no longer perform optimally as designed.

The AutoEQ function of our app incorporates a new unique process (patent applied for) that allows the amp/driver to measure the volume of the airspace and hence its influence upon the performance, and automatically correct the driver response to get back to the reference designed response.

As a result the driver will now have the same performance regardless of what wall it is mounted in, taking the guess work out of installation.

Controls and Indicators

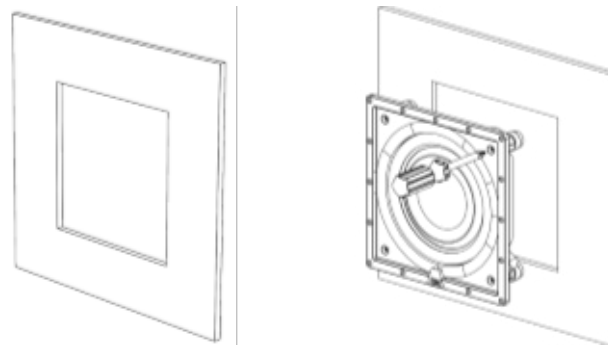
1. RCA Line In — The line level connection is used to connect the subwoofer to your pre-amp/AV receiver.
2. Speaker Level In—This connection is used when your receiver does not have a SUB or analog outputs.
3. Subwoofer Speaker Output—This connection is used to connect to the included in-wall subwoofer.
4. Ethernet Connection— This connection is used to connect the amplifier to your home network for app control and 3rd party controllers.
5. RS-232 —This connection is used to connect the amplifier to your 3rd party controllers. 12V Trigger—For use with devices with 12V Triggers
6. AC Inlet — This inlet is a standard IEC power jack. Use the supplied power cord to connect the subwoofer to an available AC outlet.
7. Primary Power Switch—This switch is used to turn on/off primary power to the amplifier
8. Power LED—This light will illuminate when the unit is powered on.
9. Link LED—The light will flash when communicating over ethernet or Bluetooth.



INSTALLATION

Running Speaker Wires

- For shorter distances up to 25 feet, 14 gauge speaker wire will be sufficient. For longer distances, 12 gauge speaker wire should be used. The speaker terminals will accommodate up to a 12 gauge speaker wire. Leave two feet of extra speaker wire at the speaker end to make installation easier. Do not use nails, staples or other metal objects to secure the speaker wire. The resulting short-circuit could affect your system's performance & could also damage components in your system, especially the amplifier. To minimize interference & external hum keep the speaker wires away from other electrical wires and cables.



Mounting the speaker

- Yes, you will be cutting a hole in the wall. With the right tools and a little extra preparation & care, installing these in-wall speakers can be quick and easy.
- Carefully cut out the hole drawn on the paper template. (Note: the inside rectangle (or circle) of the template can be used to shield the woofer while you paint the frame.)
- Next, position the template where you have chosen to mount the speaker and trace along the inside edge. Make your cuts along this line. A utility knife will make clean cuts in drywall. A keyhole saw or electric jigsaw may also be used. Do your best to keep the cuts neat, however the frame will overlap the hole to hide any rough edges.
- At this point, with the wall open, run the speaker cables into position leaving about two feet of extra cable exposed at the opening. Strip the ends of the cable back by approximately $\frac{1}{4}$ inch (6mm) to expose the bare wire.

INSTALLATION - continued

- Attach the speaker cables to the speaker terminals, observing the correct polarity
- Remove the grille from the speaker frame. The grille is held on by magnetic attraction. To remove simply hold the edge of the grille and gently pull toward you.
- With the grille removed, the speaker can be inserted into the mounting hole. First make sure all the tabs are rotated inwards and then connect the speaker wires. The connector posts are spring loaded so the bare ends of the speaker wire can be pushed into the holes on the side of the post after the end cap is depressed. Once inserted the end cap can be released and the wire will be held firm. Make sure no stray strands of wire are exposed that could short across between the two posts.
- Use a Phillips head screwdriver – Turn each mounting screw clockwise to rotate the quick-turn mounting bracket into place. Further turning of the screw will tighten the mounting bracket until it is firmly against the wall. DO NOT over-tighten the screw to prevent breakage of the mounting bracket.
- When the speaker is mounted firmly in place, replace the magnetic grill.

Connecting the Subwoofer Amplifier

- If you are connecting the subwoofer to an AV receiver or pre-Amp with a dedicated subwoofer or LFE output, connect a RCA cable (not supplied) from the LFE/Subwoofer output on the AV Receiver/Pre-Amp to the Right RCA input on the subwoofer (Fig 1).
- If you are connecting the subwoofer to a pre-amp or receiver without a dedicated LFE/Subwoofer output, connect a set of stereo RCA connectors from pre-outs on the pre-amp to the left and right RCA inputs on the subwoofer. If you are using a pre-amp with only one set of pre-outs, use a splitter for each output on the pre-amp and connect two sets of stereo RCA cables to both the amplifier and to the subwoofer (Fig 2).

Fig 1

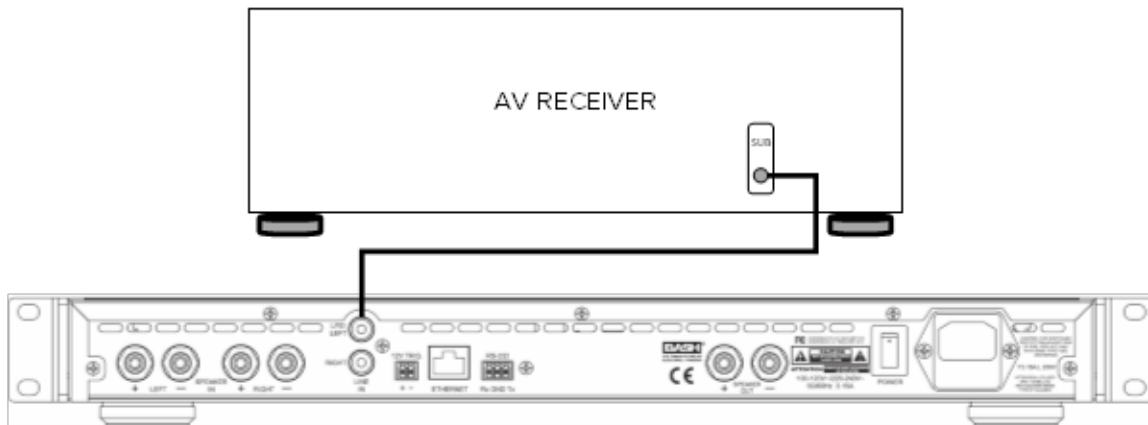
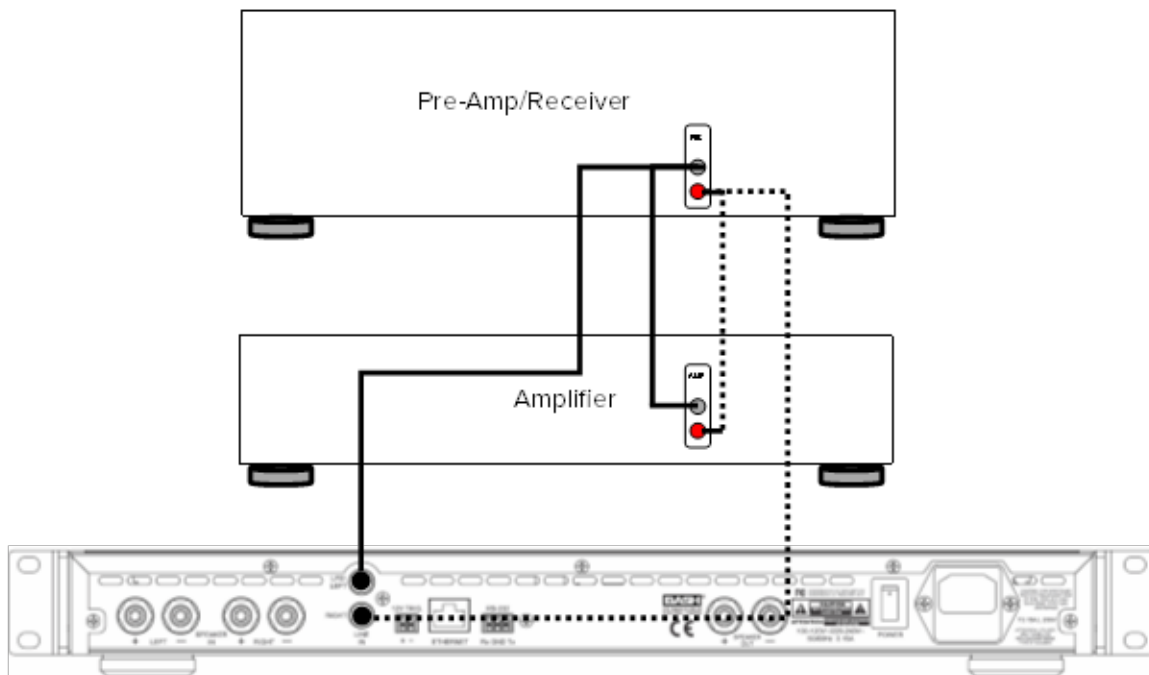


Fig 2



- Connecting the subwoofer amplifier to your home network allows the phone based setup application to communicate over wi-fi even when the subwoofer amplifier is in another room in your home. It will also allow for 3rd party controllers to communicate with the amplifier.

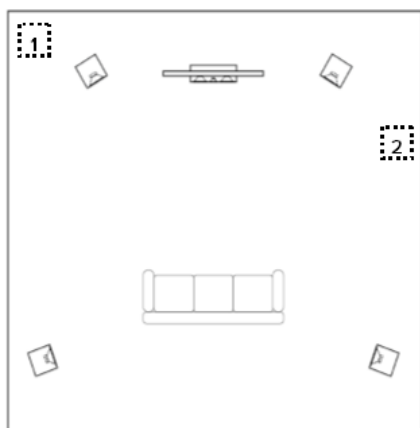
Subwoofer Placement

Finding the proper placement for your subwoofer can take some trial and error, however here are a few basic tips to get you started. In most cases the best position for the subwoofer is in the front corner (1) of the room. Placing a subwoofer in a corner excites most room modes and offers the best chance of avoiding a null area (a part of the room that experiences an acoustic reduction in bass).

If placing the subwoofer in the corners creates an abnormal amount of bass, you can try moving the subwoofer to one of the side walls (2) near the front of the room.

If possible the best option is to move the subwoofer around the room and find the location that sounds the best from your normal listening position. There are many test discs you can purchase that provide the correct test signals for helping find this optimum location.

Note: The PHASE and DELAY functions built into the subwoofer will also help if you experience any placement issues.



Controlling Your Subwoofer—App Required

Your ELAC subwoofer incorporates an advanced, digital control system. Conventional analog rotary potentiometers and switches have been replaced by a digital signal processor (DSP), which enables you to adjust your subwoofer conveniently and accurately from the listening position. All parameters, such as volume, cut-off frequency, phase, etc., as well as the automatic calibration functions, can be adjusted with the help of our free smart phone APP.

The digital control system also eliminates the possibility of unwanted changes to controls and settings.

Note: A Bluetooth 4.0 low-energy Android or iOS device or ethernet connection is required to set up and operate this subwoofer.

You can download the “ELAC In Wall Sub Control” APP from the Apple® App Store® or Google® Play Store®.



Please follow the directions on the next page for configuring the subwoofer for your room environment.

Note: In case your mobile device needs a 4 digit code during the subwoofer-pairing procedure, please use “0000”

Using the In Wall Sub App

After installing and connecting the in-wall subwoofer and amplifier you must use the ELAC “In Wall Sub Control” app to properly setup and configure the subwoofer.

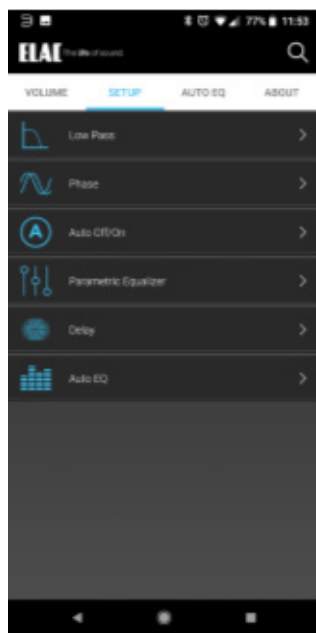
Download the ELAC “In Wall Sub Control” App from either the Google Play store or Apple App Store.

Launch the application and you should see the available devices (Either Bluetooth or Ethernet).

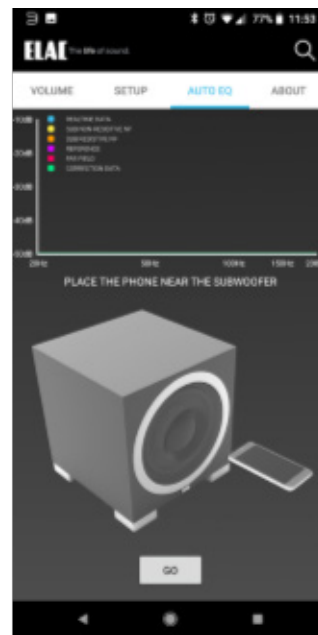
Select the device from the menu and the Home screen should be displayed.

From here select **Auto EQ** and follow the on-screen instructions. The process is necessary for the subwoofer to properly compensate for the internal volume of the wall and perform room equalization.

After this process you can now adjust level, phase, and filters.



Setup Screen



Auto EQ Screen

Configure Network and other Settings

The IW-S10EQ subwoofer amplifiers default network setting is DHCP. You can assign the unit a static IP address in the network section of the WEB GUI.

To access the WEBGUI please connect the unit to your home network via the Ethernet Jack on the rear of the unit. Power on the amplifier and wait for it to boot up.

Download our iOS/Android “ELAC In Wall Sub Control” app on your phone or tablet and launch it. The app should find the amplifier and display its IP address (Fig 1). Type this IP address into a browser on your computer. If prompted, the default username and password are admin and admin. From the WEBGUI you can update firmware, adjust network settings and default modes. (Fig 2 & 3)

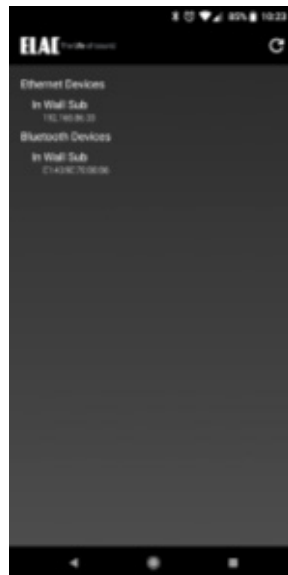


Fig 1

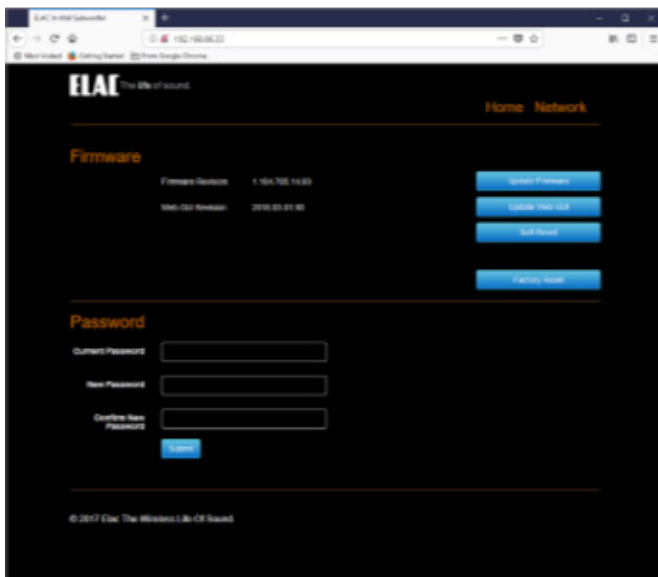


Fig 2

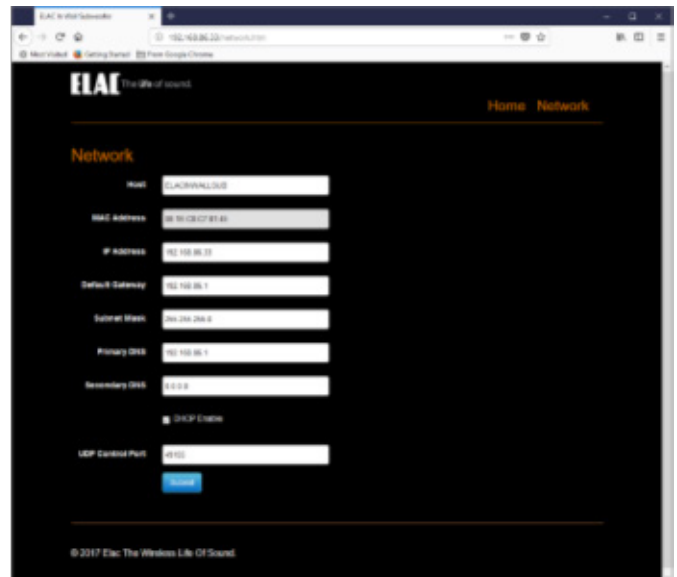


Fig 3

Updating Firmware

To update the firmware of the IW-S10EQ amplifier follow the below instructions.

Download the latest firmware from www.elac.com/firmware. Save this file to your desktop and unzip the hex file.

Type in the IP address for the subwoofer amplifier as explained in the “Configure network settings” section of this manual.

1. Click on the Update Firmware button (This will open up the file browser on your computer)
2. Select the hex file that you downloaded and select open. The update process will begin immediately.
3. The URL in the browser will update itself to display success when complete.
4. Click on the Soft Reset button. After rebooting the firmware update is complete.

SPECIFICATIONS

| | |
|------------------------------|-------------------------------------|
| Speaker Type | Powered Subwoofer System |
| Woofers | 10" high excursion doped paper cone |
| Frequency Response | 28Hz to 150Hz |
| Crossover Frequency | 50Hz to 150Hz |
| Amplifier Type | BASH |
| Maximum Amplifier Power | 400 Watts (RMS) |
| App Controlled | Yes (iOS and Android) |
| DSP | Yes |
| Standby Power Consumption | 1 Watt |
| Inputs | 2 x RCA (L,R/LFE) |
| Data Connection | Ethernet, 12v Trigger, RS232 |
| Cabinet Finish Speaker / Amp | White / Black |
| Accessories Included | AC Power Cord / Template |

ELAC Americas Inc.

North America Limited Liability Warranty

Powered Subwoofers

ELAC Americas Inc. warrants to the original purchaser that this product be free from defects and or workmanship for a period of 3 (Three) years on the cabinet and speaker driver and 1 (One) year on the amplifier from the original date of purchase. During this time period, repair or replacement of parts will be free of charge to the original owner (See below limitations). Shipping to and return from the repair center will be the responsibility of the original purchaser.

Limitations

- Warranty begins on the date of original purchase from an authorized ELAC Americas Inc. dealer.
- Product is warranted only if used in home applications. Commercial use of this product is not warranted.
- Product that has been modified or altered in anyway will not be warranted.
- Product that has been abused or subjected to faulty equipment will not be warranted.
- Products with defaced or removed serial numbers will not be warranted.

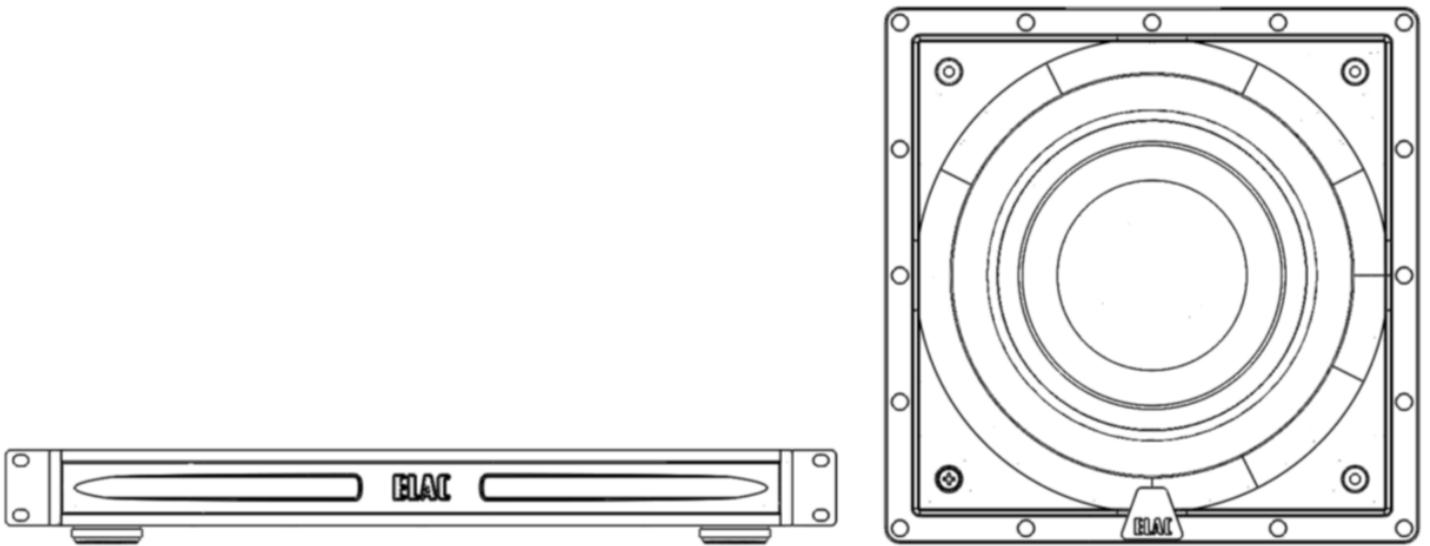
If service is required

In the event that service is required, please contact ELAC America at 888-541-0996 or at customerservice@elac.us to arrange for service or replacement. You will be responsible to provide proof of purchase (Copy or original sales receipt). Shipping to and from our repair center will be the responsibility of the original purchaser.

Warranty Outside of North America

This warranty applies to products purchased in the United States and Canada. For warranty claims outside of North America please contact the local dealer/distributor in the country of purchase.

IW-S10EQ AKTIVER IN-WALL SUBWOOFER



IW-IW-S10EQ Aktiver Subwoofer

BEDIENUNGSANLEITUNG

ELAC The life of sound.

Sicherheitshinweise

1. Allgemeines

- Bitte lesen und beachten Sie die folgenden Sicherheitshinweise und bewahren Sie diese sorgfältig auf.
- Beachten Sie alle Warnungen, die auf dem Lautsprecher und in der Bedienungsanleitung vermerkt sind. Überprüfen Sie den Lautsprecher vor der Inbetriebnahme auf vorhandene Schäden. Der Lautsprecher muss sich in einem einwandfreien Zustand befinden. Beschädigte Teile können zu Verletzungen führen.
- **VORSICHT!** Subwoofer und Aktivlautsprecher können ein gewisses Gewicht aufweisen. Daher ist beim Anheben Vorsicht geboten, um Verletzungen zu vermeiden.

2. Bestimmungsmäßiger Gebrauch

- Schließen Sie den bzw. die Lautsprecher gemäß den Vorgaben in der Bedienungsanleitung an.
- Viele ELAC Lautsprecher sind mit Spikes und/oder rutschfesten Füßen ausgestattet. Diese sind ausschließlich für den Niveaueausgleich des Lautsprechers vorgesehen. Um Niveauunterschiede bei unebenen Böden auszugleichen, drehen Sie die Spikes oder rutschfesten Füße um 2 bis 3 Gewindeumdrehungen heraus. Der Lautsprecher muss stets lotrecht stehen. Die Standfestigkeit des Lautsprechers darf durch die Verwendung von Spikes oder rutschfesten Füßen nicht beeinträchtigt werden, da der Lautsprecher andernfalls kippen kann.

3. Aufstellungsort

- Die Lautsprecher dürfen nur auf ebenen Untergründen aufgestellt werden.
- Vermeiden Sie als Aufstellort für die Lautsprecher Plätze:
 - mit direkter Sonneneinstrahlung
 - mit hoher Feuchtigkeit
 - die vibrationsanfällig sind
 - an denen besonders heiße oder kalte Temperaturen auftreten
 - die sich in der Nähe von Röhrenfernsehgeräten befinden (die Lautsprecher sind nicht magnetisch abgeschirmt und können das Farbbild von Röhrenfernsehgeräten beeinträchtigen)
 - in unmittelbarer Nähe von magnetischen Karten (die Lautsprecher sind nicht magnetisch abgeschirmt, wodurch magnetische Karten wie z.B. Kreditkarten oder Fahrkarten mit Magnetstreifen Schaden nehmen können).

WARNUNG! Achten Sie bei dem Produkt auf einen sicheren Stand, um mögliche Verletzungen durch Umkippen zu vermeiden.

Die Standfestigkeit auf Teppichboden lässt sich durch die Verwendung von Spikes verbessern. Achten Sie beim Anbringen von Spikes darauf, sich nicht an deren scharfen Enden zu verletzen.

Auf glatten Böden lässt sich die Standfestigkeit mithilfe von Klettverschlüssen oder doppelseitigen Klebestreifen erhöhen. Positionieren Sie den Lautsprecher nicht in der Nähe von Wärmequellen wie Heizungen, Heizungsventilen, Öfen oder anderen Geräten (einschließlich Verstärkern), die Hitze entwickeln, oder in explosionsgefährdeten Bereichen.

Blockieren Sie niemals Lüftungsschlitze. Beachten Sie beim Aufstellen die Anweisungen des Herstellers.

Stellen Sie den Lautsprecher nicht in ein geschlossenes Regal oder einen geschlossenen Schrank.

Stellen Sie keine brennenden Kerzen auf den Lautsprecher bzw. in dessen unmittelbare Nähe.

Positionieren Sie den Lautsprecher nicht in unmittelbarer Nähe eines Transformators, da es sonst durch elektromagnetische Einstreuung des Transformators zu einem Brummen der Tieftöner kommen kann.

Rutschfeste Füße oder Unterlegscheiben für Spikes können bei bestimmten Werkstoffen / Lackierungen / Materialoberflächen Verfärbungen bzw. Abdrücke verursachen.

4. Überlastung

- Bei extremer Überlastung des Geräts durch einen sehr hohen Lautstärkepegel kann es zu einer Beschädigung einzelner Bauteile kommen.
- Daher sollten Sie Lautsprecher bei Betrieb mit extrem hohem Pegel nicht unbeaufsichtigt lassen.

5. Wartungsarbeiten

- **GEFAHR!** Öffnen Sie niemals das Gehäuse, da im Gerät gefährliche Spannungen vorhanden sein können!
- Wartungsarbeiten dürfen ausschließlich von qualifiziertem Fachpersonal durchgeführt werden.
- Der Lautsprecher muss gewartet werden, wenn er in irgendeiner Weise beschädigt wurde, z.B. wenn das Netzkabel oder der Netzstecker beschädigt wurde, Flüssigkeiten auf dem Lautsprecher verschüttet wurden oder Gegenstände auf den Lautsprecher gefallen sind, der Lautsprecher Regen oder Feuchtigkeit ausgesetzt wurde, er nicht ordnungsgemäß funktioniert oder fallen gelassen wurde. Öffnen Sie niemals den Lautsprecher, um eine Gefährdung durch elektrischen Strom möglichst zu vermeiden. Wartungsarbeiten dürfen ausschließlich von qualifiziertem Fachpersonal durchgeführt werden.



6. Sicherungen

- Verschiedene Arten von Fehlfunktionen in Subwoofern und Aktivlautsprechern können zum Auslösen der Sicherung führen. Ersetzen Sie eine ausgelöste Sicherung nur durch den auf der Rückseite des Lautsprechers auf dem Sicherungshalter angegebenen Sicherungstyp mit den erforderlichen Werten.

7. Reinigung

- **HINWEIS:** Verwenden Sie zur Reinigung nur ein weiches Tuch mit glatter Oberfläche bzw. einen weichen Pinsel. Verwenden Sie auf keinen Fall Scheuermittel, Alkohol, Waschbenzin, Möbelpolitur oder Ähnliches zur Reinigung! Möbel sind häufig mit den verschiedensten Lacken und Kunststoffen beschichtet, die mit chemischen Substanzen behandelt sein können. Manche dieser Substanzen können Bestandteile enthalten, die die Gummifüße angreifen und aufweichen. Legen Sie ggf. eine rutschfeste Unterlage unter den Lautsprecher.

8. Lautstärke

- **VORSICHT!** Dauerhaft hohe Lautstärkepegel können ernsthafte Hörschäden hervorrufen. Achten Sie daher auf einen angemessenen Umgang mit der Lautstärke.

9. Entsorgung

- Die Verpackung besteht aus recyclingfähigen Materialien. Entsorgen Sie diese bitte umweltgerecht. Werfen Sie den Lautsprecher am Ende seiner Lebensdauer nicht in den normalen Hausmüll. Führen Sie den Lautsprecher entsprechend den geltenden gesetzlichen Vorschriften einer geordneten Entsorgung zu. Erkundigen Sie sich hierzu bei Ihrer Stadtverwaltung nach geeigneten Möglichkeiten, damit die im Gerät enthaltenen wertvollen Rohmaterialien wiederverwendet werden können. Machen Sie den Lautsprecher vor der Entsorgung unbrauchbar.

10. Netzanschluss

- Schließen Sie diesen Subwoofer nur an die auf der Rückwand des Gehäuses angegebenen Spannungen an. Der Anschluss an andere Spannungen kann zu irreversiblen Schäden am Subwoofer führen und hat das Erlöschen der Gewährleistung zur Folge. Die Verwendung von Netzsteckeradaptern wird nicht empfohlen, da diese den Anschluss an andere als den auf der Rückseite dieses Subwoofers vermerkten Spannungen ermöglichen.

Philosophie

Vielen Dank, dass Sie sich für den Kauf dieses ELAC Produkts entschieden haben.

Seit der Firmengründung im Jahre 1926 hat sich ELAC stetiges Streben nach Höchstleistung zum Prinzip gemacht.

Ihre neuen ELAC Lautsprecher mit ihren qualitativ hochwertigen Bauteilen wurden für höchste Ansprüche konstruiert und bieten exquisite Klangqualität. Konzipiert wurden sie von einer Gruppe passionierter Entwickler mit dem Ziel, eine völlig neue Dimension der Klangwiedergabe in Ihr Zuhause zu bringen. Viel Freude mit Ihren ELAC Lautsprechern!

Vor der Inbetriebnahme

Achten Sie darauf, die Lautsprecher und andere Bauteile nicht zu beschädigen:

Nehmen Sie den Subwoofer vorsichtig aus der Verpackung heraus, damit dieser nicht beschädigt wird. Achten Sie vor dem Anschließen eines Cinch-Kabels darauf, dass alle Komponenten ausgeschaltet sind. Vergewissern Sie sich, dass das Netzkabel eingesteckt ist und prüfen Sie es auf festen Sitz, um einen Stromschlag bzw. mögliche Verletzungen zu vermeiden.

BASH[®]-Technologie

Die im Verstärkermodul des ELAC Subwoofers eingesetzte BASH[®]-Technologie verspricht bei gewohnt imposanten Leistungsreserven deutlich niedrigere Verzerrungen. Erreicht wird dies durch den Einsatz einer audiophilen Class-AB Endstufe, deren Versorgungsspannung mit einem Class-D Verstärker geregelt wird, um keine unnötige Verlustleistung zu erzeugen und die Effizienz eines Digitalverstärkers zu erreichen. Somit sind alle Vorteile beider Technologien in der BASH[®]-Technologie vereint.

Da das Musiksinal analog verstärkt wird, fallen die bei den Digitalverstärkern auftretenden hochfrequenten Störungen weg, somit entsteht ein rauschärmerer Verstärker, der auch weniger elektromagnetische Störfelder abstrahlt.

Eine weitere Verbesserung des Klirrfaktors gelingt, da keine Übernahmeverzerrungen verursacht werden, die in Digitalverstärkern zwangsläufig entstehen, deren Transistoren nicht beliebig schnell schalten können.

CVC (Cabinet Volume Correction)

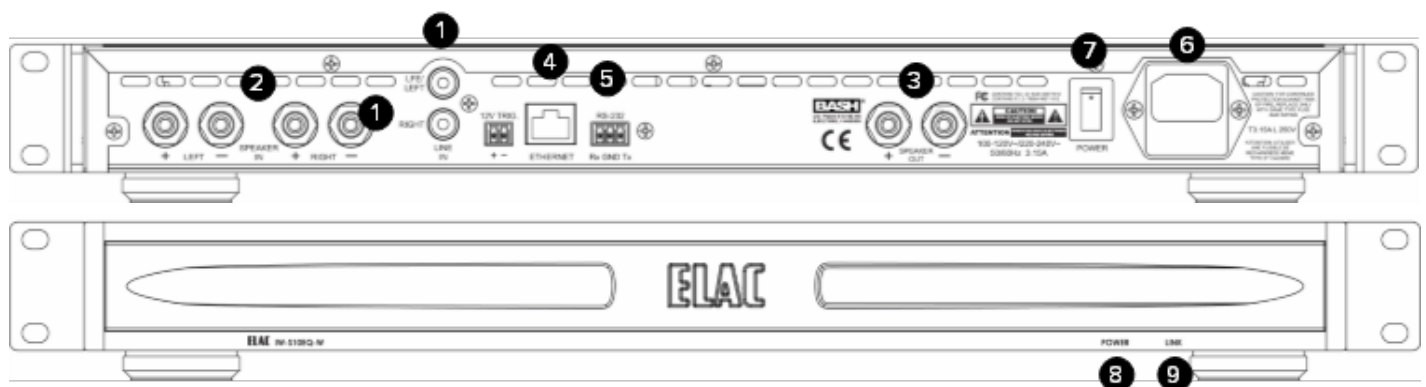
Wird ein Subwoofer in einen Wandausschnitt oder in die Raumdecke integriert, so wird seine Basswiedergabe maßgeblich vom Volumen hinter dem Lautsprecher beeinflusst. Da dieses Volumen nicht bekannt ist, kann der Lautsprecher nicht mit seiner original vom Entwickler vorgesehenen Bassperformance agieren.

Die AutoEQ-Funktion der neuen App sieht hier eine neuartige, patentierte Lösung vor, das angekoppelte Luftvolumen zu messen und somit den Einfluss des Volumens auf den Klang zu bestimmen. Die errechnete Korrektur kann dann dem Lautsprecher entsprechend zugeführt werden, so dass er wieder so klingt, wie ursprünglich entwickelt.

Das Ergebnis ist ein einwandfreier Klang, egal in welche Wand er eingebaut ist, ohne umständliches Abschätzen irgendwelcher Einbaumaße.

Bedien- und Anschlusselemente

1. RCA Line In – Diese Cinch-Buchsen sind für den Anschluss des ELAC Subwoofers an einen Stereo-Line-Ausgang eines Vorverstärkers bzw. den „BASS“/„SUB OUT“/„LFE“-Ausgang eines Surround-Verstärkers/ Surround- Receivers vorgesehen.
2. Lautsprecher Eingänge – Diese Anschlüsse werden verwendet, wenn der Verstärker keinen Subwoofer-Ausgang oder analogen Ausgang besitzt.
3. Subwoofer Ausgang – Dieser Ausgang wird für das Anschließen des im Lieferumfang enthaltenen In-Wall Subwoofers verwendet.
4. Ethernet Anschluss – Dieser Anschluss dient der Einbindung des Verstärkers in das heimische Netzwerk, um eine Bedienung per App oder durch Fernbedienungen von Drittanbietern zu ermöglichen.
5. RS-232 – Dieser Anschluss kann verwendet werden, um den Verstärker an Controllern von Drittanbietern anzuschließen.
6. 12V-Trigger – Für den Anschluss von Geräten mit 12V-Trigger
7. Netzanschlussdose – Es handelt sich hierbei um eine Standard IEC-Netzbuchse. Verwenden Sie das im Lieferumfang enthaltene Netzkabel, um den Subwoofer an eine verfügbare Netzsteckdose anzuschließen.
8. Primärer Netzschalter – Dieser Netzschalter dient dem Ein- und Ausschalten des Gerätes.
9. Power-LED – Zeigt an, dass das Gerät eingeschaltet ist.
10. Link-LED – Diese LED blinkt, wenn das Gerät über eine aktive Bluetooth- oder Ethernet-Verbindung kommuniziert.



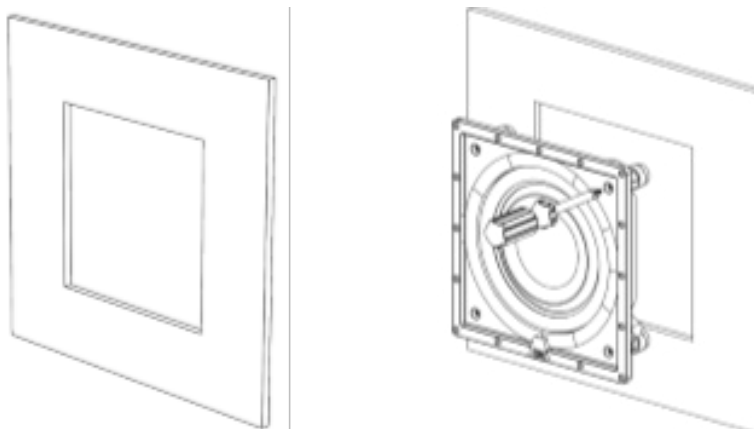
INSTALLATION

Verlegen der Lautsprecherkabel

- Für kurze Kabel bis zu einer Länge von 10 m empfehlen wir einen Kabelquerschnitt von 2,0 mm², für längere Kabel sollten Querschnitte von 3,5 mm² verwendet werden. Die Anschlussklemmen des Lautsprechers können Querschnitte bis 3,5 mm² aufnehmen. Lassen Sie das Anschlusskabel ca. 50 cm aus dem Einbauausschnitt heraushängen, um die spätere Installation zu vereinfachen. Verwenden Sie keine Nägel, Krampen, Heftklammern oder andere metallische Gegenstände, um das Kabel zu befestigen. Der hieraus resultierende Kurzschluss kann die Performance des Gesamtsystems beeinflussen bzw. die Komponenten Ihres Systems, insbesondere den Verstärker, beschädigen. Um Interferenzen zu minimieren und Brummen zu vermeiden, sollten die Lautsprecherkabel möglichst weit entfernt von anderen elektrischen Kabeln und Leitungen verlegt werden.

Einbau des Lautsprechers

- Ja, Sie werden jetzt ein Loch in die Wand schneiden. Mit den richtigen Werkzeugen und ein bisschen Vorbereitungszeit und Vorsicht, können In-Wall-Lautsprecher schnell und einfach installiert werden.
- Bereiten Sie den Wandausschnitt gemäß der Papiervorlage vor. Anmerkung: Das innere Rechteck bzw. der innere Kreis können als Abdeckung für die Lautsprecherchassis verwendet werden, wenn Sie den Rahmen lackieren.
- Im Folgenden legen Sie die Vorlage auf die Position, auf der Sie den Lautsprecher installieren möchten. Markieren Sie den Ausschnitt entlang der inneren Kontur der Vorlage. Fertigen Sie die Schnitte entlang dieser Linie an. Für eine Trockenbauwand bietet sich ein scharfes Messer an. Auch eine Stichsäge verrichtet gute Dienste. Versuchen Sie, den Ausschnitt so sauber wie möglich auszuführen, auch wenn der Rahmen kleine Ungenauigkeiten abdeckt.
- Da der Wandausschnitt nun zugänglich ist, verlegen Sie das Kabel und lassen Sie es ca. 50 cm aus der Wand schauen. Entfernen Sie etwa 6 mm der Isolierung an den Enden.



INSTALLATION - Fortsetzung

- Schließen Sie die Lautsprecherkabel an die Anschlussklemmen an. Achten Sie dabei auf korrekte Polarität.
- Entfernen Sie das Abdeckgitter vom Rahmen. Das Gitter wird magnetisch gehalten. Um es zu entfernen, halten Sie es an der Ecke fest und ziehen Sie es zu sich.
- Wenn das Abdeckgitter entfernt wurde, kann der Lautsprecher in die Montageöffnung eingesetzt werden. Vergewissern Sie sich zunächst davon, dass alle Befestigungslaschen nach innen gedreht sind. Verbinden Sie nun die Anschlusskabel. Die Anschlussklemmen sind verfedert. Drücken Sie sie nach unten, können Sie das abisolierte Ende des Anschlusskabels in die Querbohrung einführen. Wenn Sie die Klemme wieder loslassen, federt sie nach oben und hält das Anschlusskabel fest. Vergewissern Sie sich, dass keine Kupferadern einen Kurzschluss zwischen beiden Anschlussklemmen verursachen können.
- Nehmen Sie einen Phillips-Kreuzschlitzschraubendreher zur Hand. Drehen Sie die Befestigungsschrauben im Uhrzeigersinn, um die Befestigungslaschen in Position zu bringen. Weiteres Drehen bewirkt ein Heranziehen der Laschen an die Wand. Achten Sie darauf, die Schrauben nicht zu überdrehen.
- Sobald der Lautsprecher in seiner Endposition fixiert ist, können Sie die magnetische Abdeckung wieder aufsetzen.

Anschluss des Subwoofer Verstärkers

- Sollten Sie den Subwoofer an einen AV-Receiver oder Vorverstärker mit speziellem Subwoofer- bzw. LFE-Ausgang anschließen wollen, verwenden Sie ein Cinch-Kabel (nicht im Lieferumfang enthalten) und verbinden Sie den AV-Receiver- bzw. Vorverstärker-Ausgang mit dem rechten Cinch-Eingang des Subwoofers (s. Fig. 1).
- Sollten Sie den Subwoofer an einen Receiver oder Vorverstärker ohne Subwoofer- bzw. LFE-Ausgang anschließen wollen, verwenden Sie ein Stereo-Cinch-Kabel und verbinden Sie den Receiver- bzw. Vorverstärker-Ausgang mit dem rechten und linken Cinch-Eingang des Subwoofers. Sollte Ihr Verstärker nur einen Stereo-Ausgang anbieten, verwenden Sie Y-Adapter, um sowohl die Stereo-Endstufe, als auch den Subwoofer anschließen zu können (s. Fig. 2).
- Wenn Sie den Subwoofer an Ihr lokales Netzwerk anschließen, haben Sie die Möglichkeit, ihn per WLAN von jedem Raum in Ihrem Haus aus zu steuern. Außerdem wird es Anwendungen von Drittanbietern ermöglicht, mit dem Subwoofer zu kommunizieren.

Fig 1

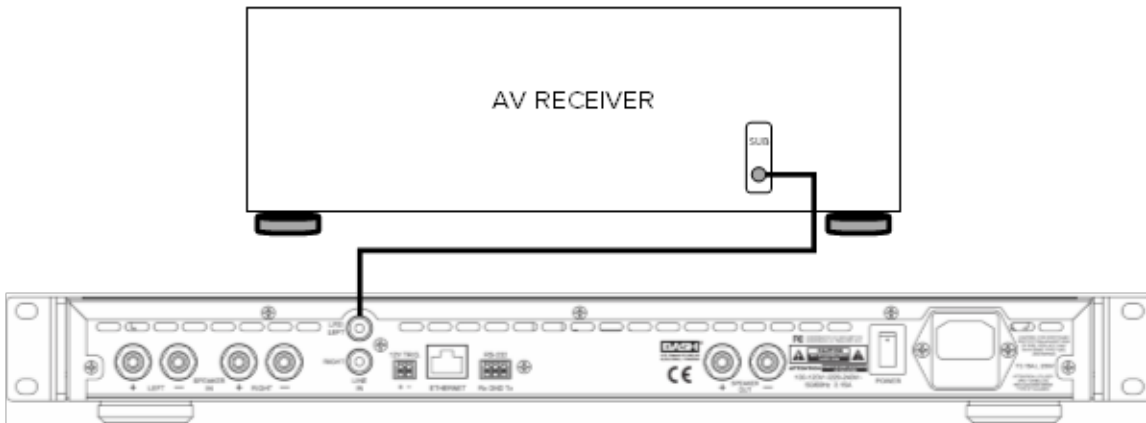
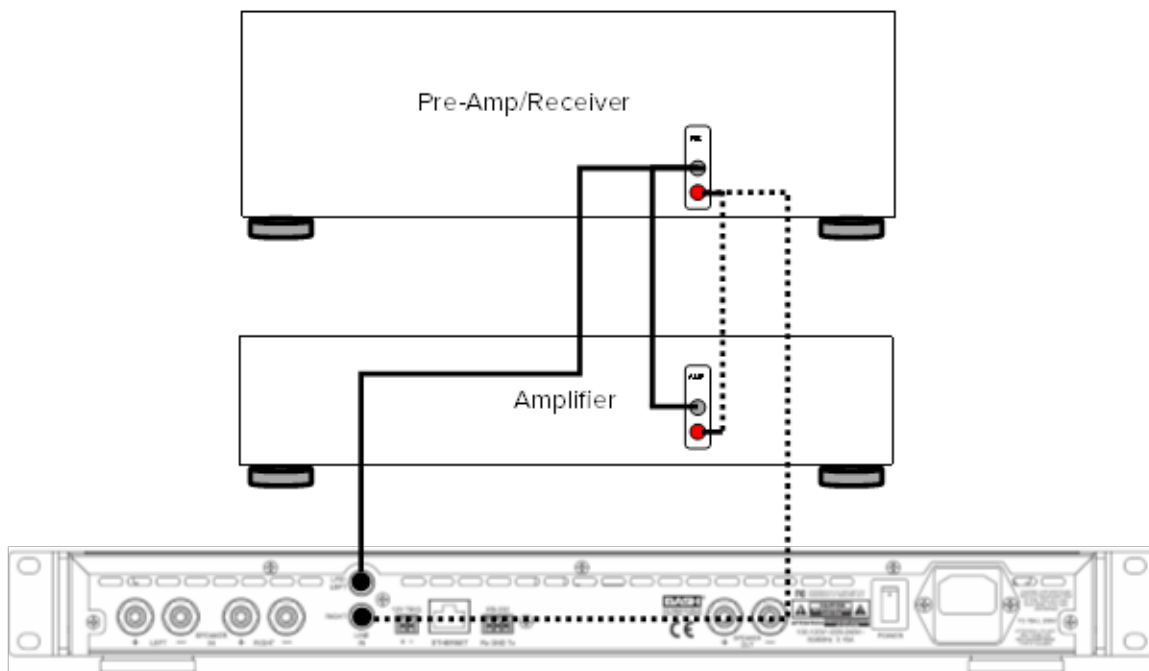


Fig 2



Aufstellung des Subwoofers

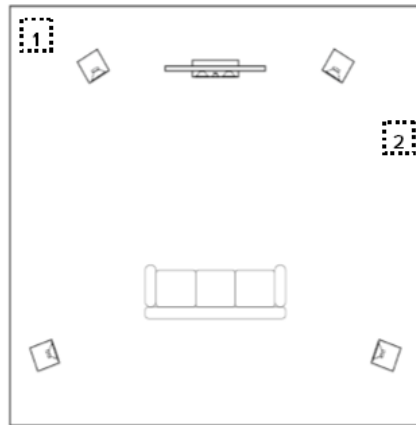
Obwohl sich die ideale Aufstellposition des Subwoofers oftmals nur durch Experimentieren ermitteln lässt, gibt es einige grundlegende Hinweise, die sich hierbei als hilfreich erweisen können. In der Regel erweist sich die vordere Ecke (1) eines Raums als beste Position für den Subwoofer.

Bei Aufstellung des Subwoofers in einer Ecke werden die meisten Raummodi angeregt und Basslöcher (Teil eines Raums, in dem der Bass akustisch reduziert ist) lassen sich am ehesten vermeiden.

Wenn bei einem in einer Raumecke platzierten Subwoofer ein Übermaß an Bass zu hören ist, können Sie versuchen, den Subwoofer an eine Seitenwand (2) im vorderen Bereich des Raums zu stellen.

Die beste Methode, den Aufstellort mit dem für Ihre normale Hörposition besten Klang zu finden, besteht darin, den Subwoofer an verschiedene Positionen im Raum zu stellen. Eine Hilfestellung bei der Ermittlung der optimalen Aufstellposition können zudem die zahlreichen, käuflich zu erwerbenden Test-CDs bieten, die entsprechende Testsignale bereitstellen.

Hinweis: Außerdem können die PHASE- und DELAY-Funktionen beim Ermitteln der optimalen Aufstellposition helfen.



Bedienen Sie Ihren Subwoofer ganz einfach per App

Ihr ELAC Subwoofer weist ein fortschrittliches, digitales Bedienkonzept auf. Analoge Drehpotentiometer und Schalter wurden durch einen digitalen Signalprozessor (DSP) ersetzt. Dieser ermöglicht Ihnen so eine komfortable, wertgenaue Einstellmöglichkeit Ihres Subwoofers. Alle Parameter, wie z.B. die Lautstärke, die Übergangsfrequenz, Phase etc., aber auch die automatische Einmessfunktion, lassen sich komfortabel mit Hilfe der kostenlosen APP einstellen.

Unerwünschtes Verstellen von Bedienelementen ist durch das digitale Bedienkonzept ausgeschlossen.

Bitte beachten Sie, dass Ihr mobiles Endgerät den Bluetooth® Standard 4.0 unterstützen muss. Dies ist bei den meisten Geräten der Fall, die ab Mitte 2013 im Handel erschienen sind. Schauen Sie ggf. in den Unterlagen Ihres mobilen Endgerätes nach oder kontaktieren Sie die Hersteller-Hotline.



Die zum Steuern des Subwoofers erforderliche App „ELAC In Wall Sub Control“ laden Sie bitte aus der entsprechenden Quelle herunter. Für Apple® iPhone®- bzw. iPad®-Anwender ist dies der Apple® App Store®, für Android®-Anwender ist dies der Google® Play Store®

Hinweis: Für den Fall, dass Ihr mobiles Endgerät einen 4-stelligen Code für das Verbinden der Subwoofer benötigt, geben Sie bitte „0000“ als Code ein.

Verwenden der ELAC In-Wall Subwoofer App

Nach der Installation und dem Anschluss des In-Wall-Subwoofers und Verstärkers, sollten Sie die „ELAC In Wall Sub Control“-App zur Steuerung und Konfiguration verwenden.

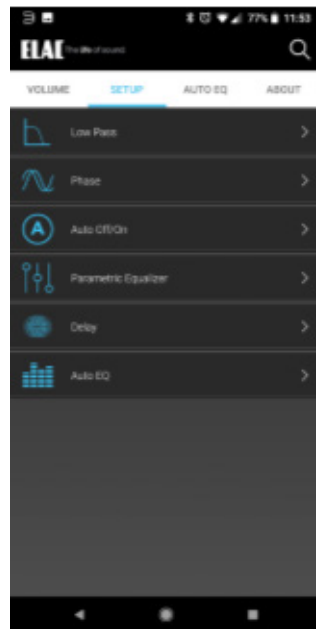
Laden Sie die “ELAC In Wall Sub Control“ App aus dem Apple App Store bzw. aus dem Google Play Store herunter.

Starten Sie die App. Sie sollten nun die verfügbaren Geräte in der App sehen können (entweder über Bluetooth oder über Ethernet).

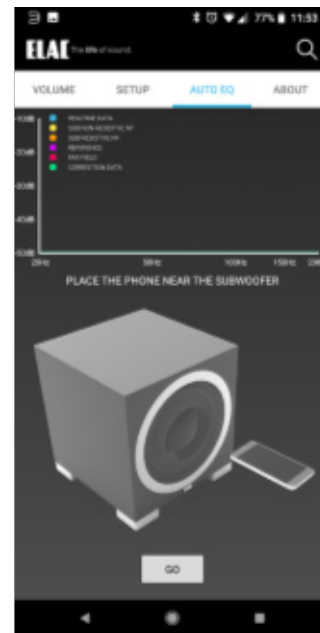
Wählen Sie das entsprechende Gerät im Menü aus. Nun sollte der Home-Bildschirm angezeigt werden.

Wählen Sie “Auto EQ” und folgen Sie den Anweisungen auf dem Bildschirm. Dieser Vorgang ist notwendig, damit der Subwoofer sich auf das zur Verfügung stehende Volumen und den Raum einmessen kann.

Nach der Einmessung können Lautstärke, Phase und Filter eingestellt werden.



Setup Screen



Auto EQ Screen

Konfigurieren von Netzwerk-Parametern und weitere Einstellungen

Die Netzwerk-Voreinstellung des IW S10EQ Subwoofer Verstärkers ist DHCP. Sie können dem Gerät aber in der Browser-Oberfläche auch eine feste IP-Adresse zuweisen.

Um die Oberfläche aufrufen zu können, schließen Sie das Gerät per Ethernet an Ihr lokales Netzwerk an. Schalten Sie den Verstärker ein und warten Sie, bis er hochgefahren ist.

Laden Sie die iOS- / Android-App „ELAC In Wall Sub Control“ auf Ihr Telefon bzw. Tablet herunter und starten Sie sie. Die App sollte den Verstärker finden und die entsprechende IP-Adresse anzeigen (s. Fig.1). Tippen Sie diese IP-Adresse in Ihren Browser ein. Wenn Sie nach Username und Passwort gefragt werden, geben Sie für beides „admin“ (ohne Anführungszeichen) ein. Über die Oberfläche können Sie die Firmware aktualisieren, Netzwerkeinstellungen und die voreingestellten Modi verändern (s. Fig. 2 und 3).

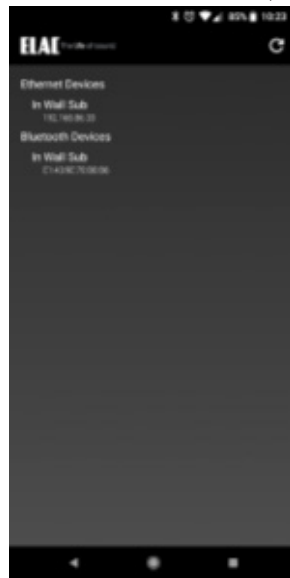


Fig 1

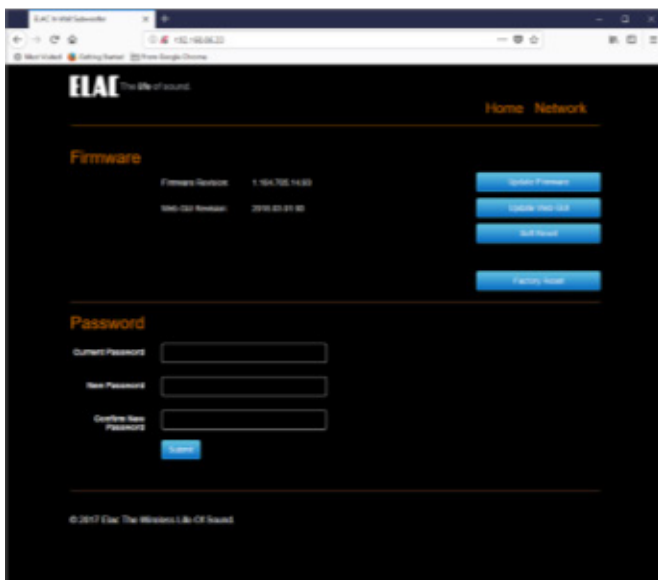


Fig 2

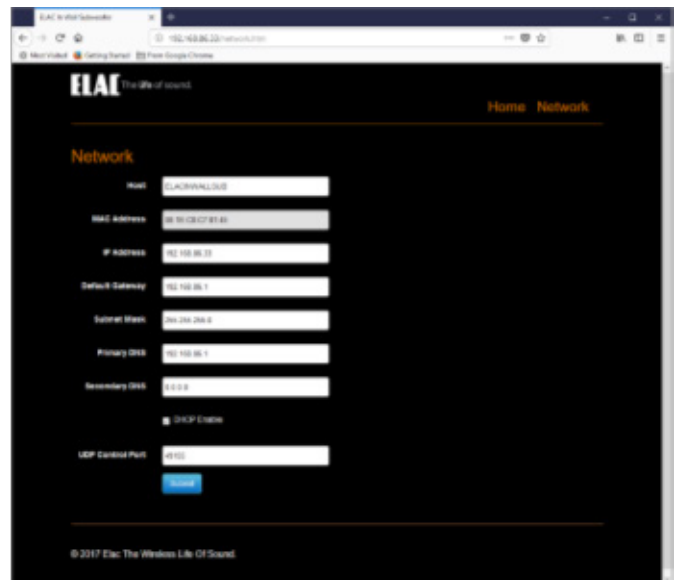


Fig 3

Aktualisierung der Firmware

Um die Firmware des IW-S10EQ zu aktualisieren, folgen Sie bitte den untenstehenden Anweisungen.

Laden Sie die neueste Firmware von der Seite www.elac.com/firmware herunter. Speichern Sie diese auf Ihrem Desktop und öffnen das ZIP-Archiv. Entpacken Sie die HEX-Datei.

Tippen Sie die IP-Adresse des Subwoofers in Ihren Browser ein (wie im Abschnitt „Konfigurieren von Netzwerk-Parametern“ beschrieben).

- 1. Klicken Sie auf „Update Firmware“. Es öffnet sich ein Dateiauswahlfenster auf Ihrem PC.**
- 2. Navigieren Sie zu der soeben heruntergeladenen HEX-Datei und klicken Sie auf „open“. Der Update-Vorgang startet sofort.**
- 3. Die URL in Ihrem Browser aktualisiert sich nach erfolgreichem Update automatisch.**
- 4. Klicken Sie auf die „Reset“-Taste. Nach dem Neustart ist das Firmware-Update komplett.**

SPECIFICATIONS TECHNISCHE DATEN

| | |
|--|---|
| Bauart | Aktiver Subwoofer |
| Tieftöner | 250 mm optimierter Langhub-Tieftöner mit Zellstoffmembran |
| Frequenzbereich | 28 – 150 Hz |
| Übergangsfrequenz | 50 – 150 Hz |
| Verstärkertyp | BASH-Technologie |
| Maximale Verstärkerleistung | 400 W |
| App-gesteuert | Ja (iOS und Android) |
| DSP | JA |
| Leistungsaufnahme im Standby | 1 W |
| Eingänge | 2 x Cinch (L,R/LFE) |
| Datenverbindung | Ethernet, 12 V Trigger, RS-232 |
| Farbausführung Lautsprecher/Verstärker | Weiß/Schwarz |
| Zubehör im Lieferumfang | Netzkabel, Schablone |

Gewährleistung / Werksgarantie

I. Die folgenden Garantiebestimmungen gelten für innerhalb der Europäischen Union und der Schweiz von einem autorisierten Fachhändler erworbene Produkte von ELAC, die unter X. dieser Bestimmungen aufgeführt werden.

II. Die folgenden Bestimmungen erweitern die Rechte des Erwerbers und beeinflussen in keiner Weise die nach der jeweiligen Rechtsordnung zusätzlich bestehenden Rechte wie beispielsweise die Gewährleistungsrechte.

III. Aus den Garantiebestimmungen entstehen Ansprüche nur für diejenigen Käufer, die das betreffende Produkt von einem autorisierten Fachhändler erworben haben. ELAC betreibt ein selektives Vertriebssystem. Wird das Produkt von einem nicht autorisierten Händler erworben, entstehen keine Garantieansprüche. Etwaige Gewährleistungsansprüche gegen den Verkäufer bleiben davon unberührt.

IV. Voraussetzung für die Geltendmachung von Garantieansprüchen ist, dass sich der Käufer innerhalb von drei Monaten ab Kaufdatum des jeweiligen ELAC-Produktes registrieren lässt.

Zur Registrierung ist die Einsendung einer Kopie des Kaufbeleges innerhalb der oben genannten Drei-Monats-Frist erforderlich. Dies kann auf elektronischem und postalischem Weg erfolgen. Die E-Mail-Adresse von ELAC lautet: info@elac.de. Weitere Kontaktmöglichkeiten unter www.elac.de. Zur Adresse siehe unten.

Die Registrierung kann auch insgesamt per Post erfolgen. Dazu muss der Erwerber eine Kopie des Kaufbeleges an die folgende Adresse versenden:

ELAC Electroacoustic GmbH
Fraunhoferstraße 16
24118 Kiel
Deutschland
Stichwort: Garantie

V. Die Garantie erstreckt sich nur auf Material-, Konstruktions- oder Verarbeitungsmängel.

VI. Die Garantie erstreckt sich nicht auf Schäden, die auf grobe Behandlung oder unsachgemäßen Gebrauch zurückzuführen sind oder auf natürliche oder übliche Abnutzungen. Die Garantie erstreckt sich nicht auf optisch uneinheitliche Furnierstruktur oder Verfärbungen des Furniers, da es sich hierbei um natürliches Material handelt. Die Garantie erstreckt sich auch nicht auf sonstige Ereignisse, die nicht im zumutbaren Bereich von ELAC liegen.

Die Garantie erstreckt sich nicht auf Mängel, die in Verbindung mit anderen Produkten auftreten, die nicht von ELAC hergestellt wurden oder in sonstiger Weise durch nicht bestimmungsgemäßen Gebrauch auftreten. Auf die sachgerechte Bedienung gemäß der den Produkten beiliegenden Bedienungsanleitung wird ausdrücklich hingewiesen.

Die Garantie erstreckt sich nicht auf Mängel, die durch unsachgemäßes Aufstellen oder unsachgemäße Lagerung entstehen. Unsachgemäß ist beispielsweise das Aufstellen oder die Lagerung in feuchter Umgebung oder in einer Umgebung, in welcher das Produkt extremen Temperaturen und/oder Temperaturschwankungen, Oxidation oder Korrosion ausgesetzt ist. Mängel, die durch Verschütten von Flüssigkeiten oder Nahrungsmitteln

oder sonstige chemische Substanzen an die Produkte gelangen und auf sie einwirken, sind von der Garantie ebenfalls nicht umfasst.

VII. Die Garantie erlischt, wenn das Produkt nicht durch ELAC oder einen autorisierten Fachhändler geöffnet, verändert oder repariert wird. Die Garantie erlischt, wenn die Seriennummer entfernt oder unleserlich gemacht wird.

VIII. Material-, Konstruktions- oder Verarbeitungsmängel werden innerhalb der Garantiefrist von ELAC oder von einem autorisierten Fachhändler des Landes, in welchem das Produkt erworben wurde, kostenlos behoben. Dies geschieht innerhalb einer wirtschaftlich angemessenen Frist. Nach Ermessen von ELAC oder des autorisierten Fachhändlers kann die Garantieleistung auch in einem Austausch des betroffenen Produktes erfolgen. Soweit baugleiche Produkte nicht mehr verfügbar sind, kann ein Austausch in Form eines anderen Produktes erfolgen, welches der gleichen Preis- und Qualitäts-Klasse entspricht.

Das Eigentum der ausgetauschten Ersatzteile oder der ausgetauschten Produkte geht auf ELAC über.

IX. Eine Bemänglung muss innerhalb der Garantiezeit gegenüber ELAC oder einem autorisierten Fachhändler innerhalb angemessener Frist nach Entdeckung des Mangels bekanntgegeben werden. Im Garantiefall muss ELAC oder dem autorisierten Fachhändler das bemängelte Produkt und eine Kopie des Original-Kaufbeleges übergeben werden. Aus diesen Belegen müssen sich folgende Informationen ergeben:

- a) Name und Adresse des Fachhändlers
 - b) Datum und Ort des Kaufes
 - c) Artikelbezeichnung, Produkttyp und Seriennummer
- Zur Bearbeitung des Garantiefalles und Rücksendung etwaig reparierter oder ausgetauschter Produkte ist ebenfalls die Angabe des Namens und der Adresse des Käufers erforderlich.

Versandadresse für Rücksendungen:

ELAC Electroacoustic GmbH Fraunhoferstraße 16
24118 Kiel
Deutschland

Informationen über die autorisierten Fachhändler erfahren Sie auch über die Homepage www.elac.de. Für den Fall einer Bearbeitung eines nicht unter diese Bedingungen fallenden Produktes, kann ELAC dem Anspruchsteller eine angemessene Bearbeitungsgebühr in Rechnung stellen.

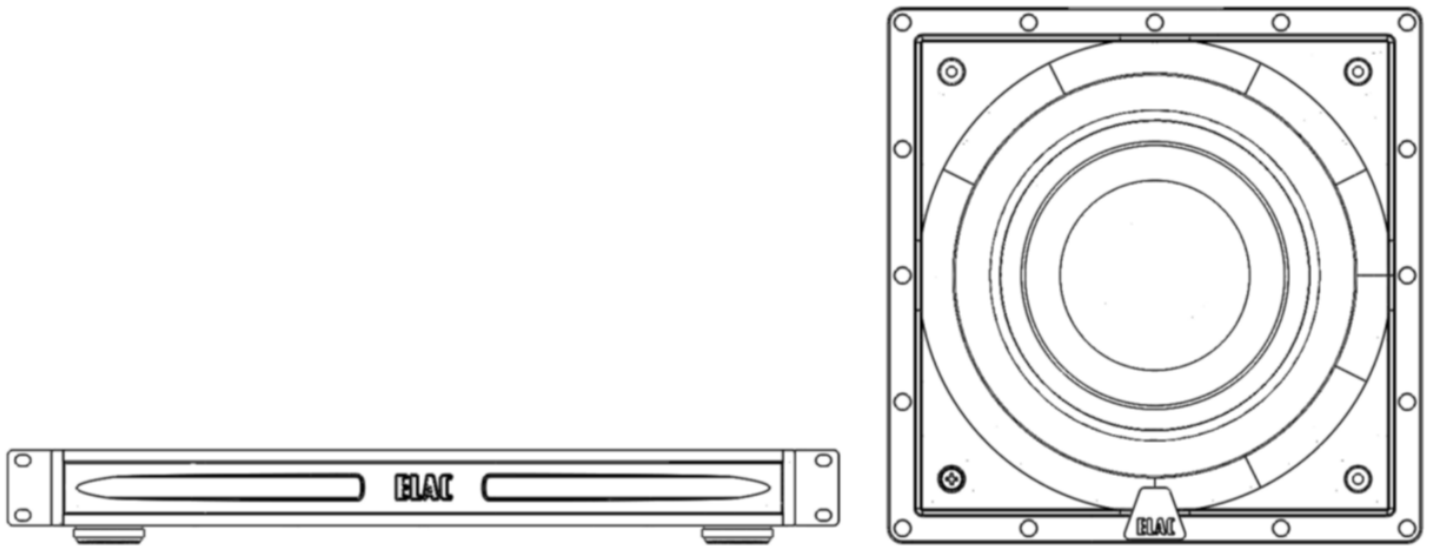
X. Die Garantiefrist beginnt mit Auslieferung des Produktes an den erstmaligen Endkunden.

Die Garantiefrist beträgt für alle Produkte der ELAC Electroacoustic GmbH: 2 Jahre gesetzliche Gewährleistung. Sie verlängert sich um drei weitere Jahre Werksgarantie (ein weiteres Jahr bei Aktivboxen, Aktivsubwoofern, SurroundSets und Aktivelektronik), wenn sich der Käufer bei ELAC registrieren lässt.

XI. Diese Herstellergarantie ist die einzige Garantie, welche ELAC für ihre Produkte gewährt. Sie geht allen sonstigen, mündlichen oder schriftlichen Garantiebedingungen vor. Eine Garantieleistung bewirkt keine Verlängerung der Garantiefrist und setzt auch keine neue Garantiefrist in Gang.

Die Haftung ist auf den Wert des Produktes beschränkt. ELAC haftet nicht für weitere eintretende Schäden oder Verluste direkter oder indirekter Art. Dies gilt nicht für Schäden, welche aufgrund Vorsatzes oder grober Fahrlässigkeit durch ELAC herbeigeführt wurden.

ENCEINTE AMPLIFIÉE D'EXTRÊMES BASSES À ENCASTRER IW-S10EQ



Enceinte amplifiée d'extrêmes basses IW-S10EQ

CONSIGNES D'UTILISATION

ELAC The life of sound.

Consignes de sécurité

1. Informations générales

- Veuillez lire et suivre ces consignes de sécurité.
- Conservez-les pour consultation future.
- Observez tous les avertissements inscrits sur le haut-parleur et dans le manuel. Vérifiez si le haut-parleur est endommagé avant de l'utiliser. Le haut-parleur doit être en parfait état. Les pièces endommagées peuvent causer des blessures.
- **ATTENTION!** Les caissons d'extrêmes graves et les haut-parleurs actifs sont lourds. Faites attention en les soulevant pour éviter les blessures.

2. Utilisez seulement selon les directives.

- Connectez ce haut-parleur conformément aux instructions du manuel.
- De nombreux haut-parleurs ELAC sont équipés de pointes et / ou de patins antidérapants. Ils sont fournis pour niveler les haut-parleurs. Ils doivent être vissés jusqu'à la fin du câblage. Pour le nivellement sur un plancher irrégulier, il est permis de dévisser les pointes ou les pieds antidérapants de 2 à 3 tours. Le haut-parleur doit toujours être dans un alignement vertical parfait. La stabilité des haut-parleurs ne doit pas être compromise par l'utilisation de pointes ou de pieds antidérapants, car le haut-parleur risque de basculer.

3. Emplacement

- Installez les haut-parleurs uniquement sur une surface plane
- Lorsque vous choisissez l'emplacement de ces haut-parleurs, ne les placez pas dans des endroits qui sont:
 - Sous les rayons directs du soleil
 - Très humides
 - Sujets aux vibrations
 - Très chauds ou très froids
 - à proximité d'un téléviseur à tube cathodique (les haut-parleurs ne sont pas isolés magnétiquement et peuvent causer des problèmes de couleur avec un téléviseur à tube cathodique)
 - à proximité de cartes magnétiques (comme les haut-parleurs ne sont pas isolés magnétiquement, les cartes magnétiques telles que les cartes de crédit ou de transport en commun pourraient entraver leur fonctionnement).

AVERTISSEMENT! Assurez-vous que le produit soit parfaitement stable afin d'éviter toute blessure au cas où l'appareil basculerait. S'il vous plaît noter que la stabilité peut être augmentée en utilisant des pointes pour les tapis. Cependant, le montage des pointes doit être effectué avec précaution car les pointes ont des bouts très pointus pouvant provoquer des blessures. La stabilité sur les sols glissants peut être augmentée en utilisant du ruban Velcro ou du ruban adhésif double face. N'installez pas les haut-parleurs près de toutes sources de chaleur telles que des radiateurs, des valves de chauffage, des poêles ou autres appareils (incluant des amplificateurs) qui produisent de la chaleur ou dans des endroits présentant des risques d'explosion.

- Ne pas bloquer les ouvertures de ventilation. Effectuer l'installation conformément aux instructions du fabricant.
- N'installez pas les haut-parleurs dans un espace confiné ou un placard fermé.
- Ne mettez pas de bougies allumées sur ou près des haut-parleurs.
- N'installez pas l'enceinte à proximité de transformateurs car des champs de dispersion électromagnétiques peuvent provoquer des bourdonnements dans le caisson de basses.
- En combinaison avec certains matériaux / vernis/ surfaces de matériaux, les pieds antidérapants ou les rondelles des pointes peuvent laisser des traces colorées sur les surfaces.

4. Surcharge

- Une surcharge extrême de l'appareil en raison d'un volume très élevé pourrait endommager certaines composantes de l'appareil. En raison de dangers potentiels, vous ne devez jamais laisser les haut-parleurs sans surveillance lors de conditions de surcharge extrême.

5. Réparation

- **DANGER!** N'ouvrez pas le boîtier car les composants et les conducteurs peuvent transporter des niveaux dangereux d'électricité! L'entretien doit être uniquement effectué par un personnel qualifié.
- Un entretien est nécessaire lorsque le haut-parleur a été endommagé de quelque manière que ce soit, par exemple en cas d'endommagement du cordon d'alimentation ou de la prise ou, lorsque du liquide a été renversé ou que des objets sont tombés dans le
- haut-parleur, que le haut-parleur a été exposé à la pluie ou à l'humidité ou, qu'il ne fonctionne pas normalement ou a été échappé. Pour réduire les risques d'électrocution, n'ouvrez pas le haut-parleur. L'entretien doit être uniquement effectué par un personnel qualifié.



6. Fusibles

- Différents défauts dans les caissons de basse ou les haut-parleurs actifs peuvent faire sauter la fusible. Si le fusible saute, remplacez-le uniquement par le type de fusible et le calibre appropriés indiqués à l'arrière du haut-parleur sur le porte-fusible. Un deuxième fusible est inclus dans l'appareil (dans le porte-fusible sous la prise secteur).

7. Nettoyage

- **REMARQUE:** Nettoyez uniquement avec un chiffon doux et souple ou une brosse à dépeussier. N'utilisez pas de produits abrasifs, d'alcool, de benzène, de cire pour meubles ou autres produits de nettoyage! Le mobilier moderne est souvent revêtu de multiples couches de vernis et de plastique qui peuvent être avoir été traités avec des agents chimiques. Certains de ces agents contiennent des substances qui dégradent ou ramollissent les pieds en caoutchouc. Par conséquent, nous vous conseillons de placer un tapis antidérapant sous le haut-parleur.

8. Volume

- **ATTENTION!** Un volume élevé en continu peut endommager gravement votre audition. Veuillez utiliser les haut-parleurs à un niveau sonore convenable.

9. Recyclage

- L'emballage est fabriqué à partir de matériaux recyclables. Le détruire de façon écologique. À la fin de la vie du produit, ne jetez pas le (s) haut-parleur (s) avec les ordures ménagères. Les haut-parleurs doivent être recyclés conformément à la législation locale. Informez-vous auprès de vos autorités locales pour obtenir de plus amples renseignements sur le recyclage, car l'appareil contient des matières premières précieuses. Désactivez le haut-parleur avant de le mettre au rebut.

10. Pouvoir

- Cette enceinte d'extrêmes basses est uniquement destiné à être connecté aux tensions répertoriées sur le panneau arrière du boîtier. La connexion à toute autre tension peut causer des dommages irréversibles à l'enceinte d'extrêmes basses et annulera la garantie. L'utilisation d'adaptateurs n'est pas recommandée, car ils peuvent permettre une connexion à des tensions autres que celles imprimées à l'arrière de cette enceinte d'extrêmes basses.

Philosophie

Merci d'avoir fait l'achat de ce produit ELAC.

Depuis nos débuts en 1926, ELAC s'est toujours efforcée à atteindre l'excellence. Cela vaut autant aujourd'hui qu'à l'époque.

Vos nouveaux haut-parleurs ELAC sont conçus selon les normes les plus élevées, et sont dotés de composants de qualité supérieure qui sont soigneusement fabriqués pour procurer la meilleure qualité sonore de leur catégorie. Ils sont conçus par des gens passionnés dont le seul but est d'amener à votre foyer une nouvelle dimension de qualité sonore. Prendre plaisir!

Avant l'utilisation

- Évitez d'endommager les haut-parleurs et les autres composantes :
- Déballez l'enceinte d'extrêmes basses et l'amplificateur avec précaution pour éviter les blessures
- Gardez votre équipement éteint avant de connecter les interconnexions ou les câbles du haut-parleur
- Vérifiez que le câble d'alimentation est enfoncé et sécurisé pour éviter les chocs électriques et les blessures.

Technologie BASH

La technologie BASH® implémentée dans le module amplificateur de l'enceinte d'extrêmes basses ELAC présente des réserves de puissance avec des niveaux de distorsion beaucoup plus faibles. Ceci est réalisé en utilisant un amplificateur de puissance audiophile de classe A / B dont la tension d'alimentation est régulée par un circuit amplificateur de classe D pour éviter toute perte de puissance inutile et obtenir l'efficacité d'un amplificateur de classe D.

Comme le signal audio est amplifié dans le domaine analogique, l'interférence à haute fréquence typique des amplificateurs numériques est éliminée. Cette conception se traduit par un amplificateur à faible bruit avec des émissions d'interférences électromagnétiques plus faibles. Comme un des problèmes issus des conceptions classiques de la classe D est la limite de vitesse de commutation des transistors, l'absence de distorsion de recouplement produit une amélioration supplémentaire de la distorsion harmonique totale.

CVC (Correction de volume du cabinet)

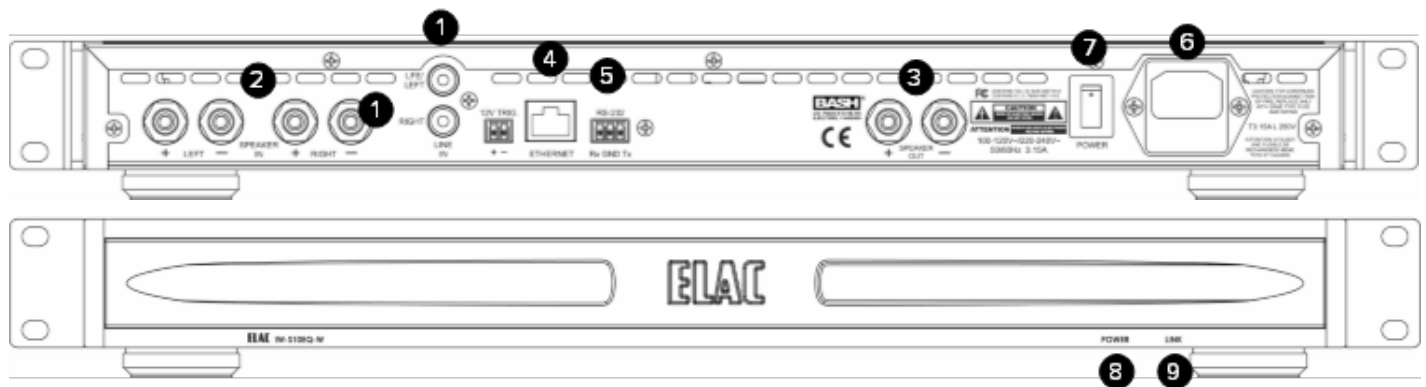
Lorsqu'une enceinte d'extrêmes basses est montée dans une cavité murale ou un plafond, sa performance en basse fréquence est influencée par le volume de l'espace aérien derrière lui. Comme ce volume est généralement inconnu, il ne fonctionnera plus de manière optimale comme prévu.

La fonction AutoEQ de notre application incorpore un nouveau procédé unique (brevet en attente) qui permet à l'amplificateur de mesurer le volume de l'espace, et donc son influence sur la performance tout en corrigeant automatiquement la réponse de l'amplificateur pour retourner à la conception sonore de référence désignée.

En conséquence, l'amplificateur aura désormais la même performance quelle que soit la cavité murale dans laquelle il est monté, éliminant les devinettes durant l'installation.

Commandes et indicateurs

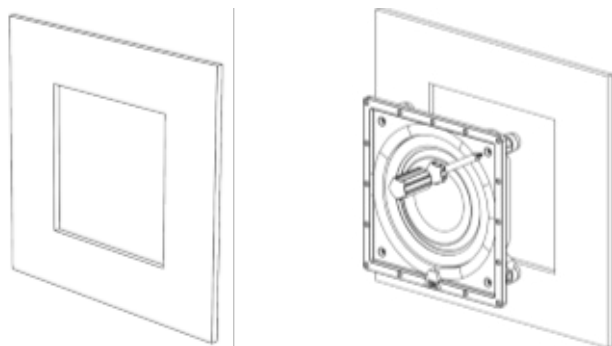
1. Entrée RCA - La connexion est utilisée pour brancher l'enceinte d'extrêmes basses à votre pré-ampli/récepteur AV.
2. Entrée haut-parleur - Cette connexion est utilisée lorsque votre récepteur n'a pas de sorties SUB ou analogiques.
3. Sortie haut-parleur vers enceinte d'extrêmes basses - Cette connexion est utilisée pour le branchement de l'enceinte d'extrêmes basses encastrée dans le mur.
4. Connexion Ethernet - Cette connexion est utilisée pour connecter l'amplificateur à votre réseau domestique et contrôler des applications et les contrôleurs de tierces parties.
5. RS-232 - Cette connexion est utilisée pour connecter l'amplificateur à vos contrôleurs de tierces parties.
6. Déclencheur 12V - À utiliser avec les appareils dotés de déclencheurs 12 V
7. Entrée CA - Cette entrée est une prise d'alimentation CEI standard. Utilisez le cordon d'alimentation fourni pour connecter l'enceinte d'extrêmes basses à une prise standard CA.
8. Commutateur d'alimentation principale - Ce commutateur est utilisé pour allumer/éteindre l'alimentation principale de l'amplificateur
9. Voyant d'alimentation : Ce voyant s'allume lorsque l'appareil est sous tension.
10. Voyant lumineux de liaison : Le voyant clignote lors d'une communication par Ethernet ou Bluetooth.



INSTALLATION

Longueur de câble du haut-parleur

- Pour de courtes distances allant jusqu'à 25 pieds, un câble pour haut-parleur de calibre 14 sera suffisant. Pour de plus longues distances, un câble pour haut-parleur de calibre 12 doit être utilisé. Les bornes des haut-parleurs peuvent accueillir un câble de haut-parleur jusqu'à un calibre 12. Laissez deux pieds supplémentaires de câble de haut-parleur à l'extrémité pour faciliter l'installation. N'utilisez pas de clous, d'agrafes ou d'autres objets métalliques pour fixer le câble de haut-parleur. Le court-circuit qui en résulte pourrait affecter les performances de votre système & pourrait également endommager les composants de votre système, en particulier l'amplificateur. Pour minimiser les interférences et les bourdonnements externes, éloignez les câbles de haut-parleur des autres câbles et câbles électriques.



Montage du haut-parleur

- Oui, vous allez faire un trou dans le mur. Avec les bons outils, un peu de préparation et d'entretien, l'installation de ces haut-parleurs encastrés peut être rapide et facile.
- Découpez soigneusement le trou dessiné sur le gabarit en papier. (Remarque : le rectangle intérieur (ou cercle) du gabarit peut être utilisé pour protéger l'enceinte pendant que vous peignez le cadre.)
- Ensuite, positionnez le gabarit où vous avez choisi de monter le haut-parleur et tracez le long du bord intérieur. Faites vos coupes le long de cette ligne. Un exacto fera des coupes propres dans les cloisons sèches. Une scie sauteuse ou une scie sauteuse électrique peuvent également être utilisés. Faites de votre mieux pour garder les coupes propres, cependant rappelez-vous, le cadre chevauchera le trou pour cacher les bords rugueux.
- À ce stade, lorsque le mur est ouvert, placez les câbles de haut-parleur en position en laissant environ deux pieds de câble supplémentaire à l'ouverture. Dénudez les extrémités du câble d'environ 6 mm (¼ po) pour exposer les fils du câble.

INSTALLATION - suite

- Fixez les câbles d'enceinte aux bornes du haut-parleur, en respectant la polarité
- Retirez la grille du haut-parleur. La grille est maintenue de manière magnétique. Pour l'enlever, tenez simplement le bord de la grille et tirez doucement vers vous.
- Lorsque la grille est retirée, le haut-parleur peut être inséré dans le trou de montage. Assurez-vous d'abord que tous les onglets sont tournés vers l'intérieur, puis connectez les câbles des haut-parleurs. Les bornes du connecteur sont à ressort, de sorte que les extrémités nues du câble de haut-parleur peuvent être enfoncées dans les trous situés sur le côté du montant après avoir enfoncé le capuchon. Une fois inséré, le capuchon peut être relâché et le câble sera retenu fermement. Assurez-vous qu'il n'y a pas de brins de câble exposés entre les deux bornes.
- Utilisez un tournevis cruciforme - Tournez chaque vis de montage dans le sens des aiguilles d'une montre pour faire pivoter en place le support de montage à rotation rapide. Une rotation supplémentaire de la vis resserrera le support de montage jusqu'à ce qu'il soit fermement contre le mur. **NE SERREZ PAS TROP** la vis afin d'éviter de briser le support de montage.
- Lorsque le haut-parleur est fermement installé, remplacez la grille magnétique.

Branchement de l'amplificateur de l'enceinte d'extrêmes basses

- Si vous connectez l'enceinte d'extrêmes basses à un récepteur AV ou à un pré-amplificateur dédié à une enceinte d'extrêmes basses ou à une sortie LFE, branchez un câble RCA (non fourni) de la sortie LFE/enceinte d'extrêmes basses du récepteur AV/pré-amplificateur à l'entrée RCA droite sur l'enceinte d'extrêmes basses (Fig. 1).
- Si vous connectez l'enceinte d'extrêmes basses à un pré-ampli ou à un récepteur sans sortie dédiée LFE/enceinte d'extrêmes basses, connectez un ensemble de connecteurs RCA stéréo dans les pré-sorties du pré-amplificateur aux entrées RCA gauche et droite de l'enceinte d'extrêmes basses. Si vous utilisez un préamplificateur avec un seul ensemble de pré-sorties, utilisez un répartiteur pour chaque sortie du préamplificateur et connectez deux séries de câbles RCA stéréo à l'amplificateur et à l'enceinte d'extrêmes basses (Fig 2).

Fig 1

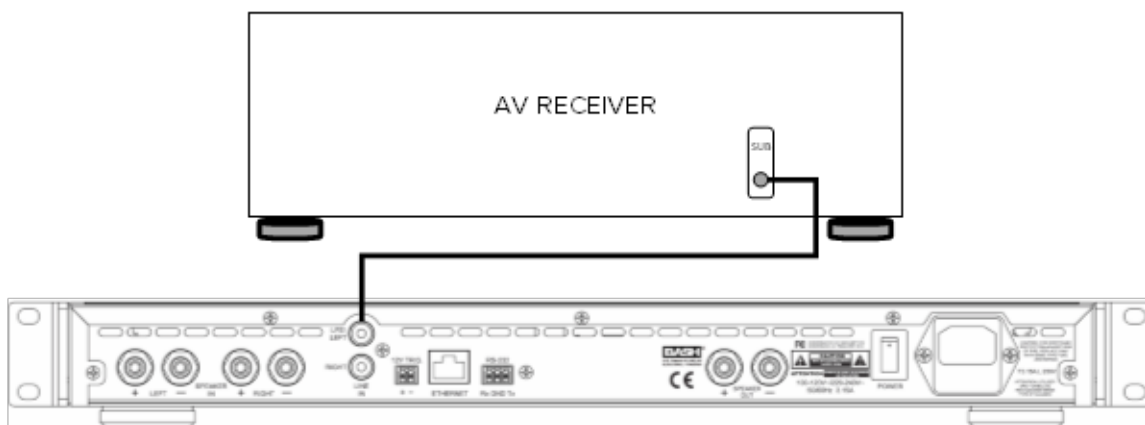
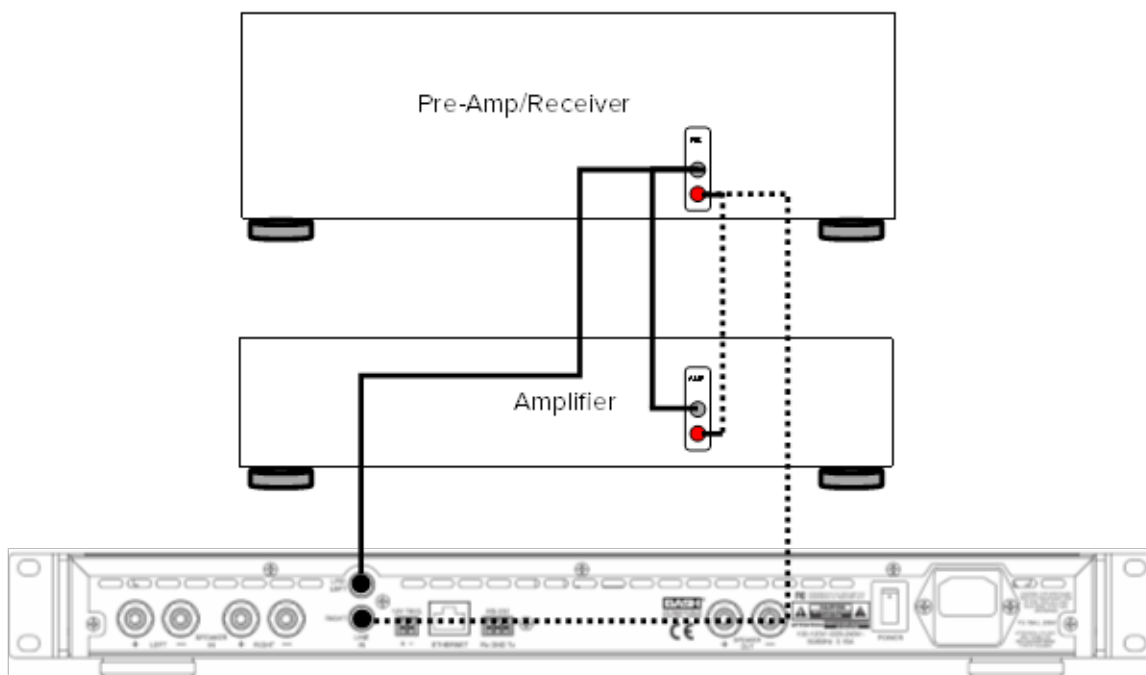


Fig 2



- La connexion de l'amplificateur de l'enceinte d'extrêmes basses à votre réseau domestique permet à l'application de configuration basée sur le téléphone de communiquer via le Wi-Fi, même lorsque l'amplificateur de l'enceinte d'extrêmes basses se trouve dans une autre pièce de la maison. Il permettra également aux contrôleurs tiers de communiquer avec l'amplificateur.

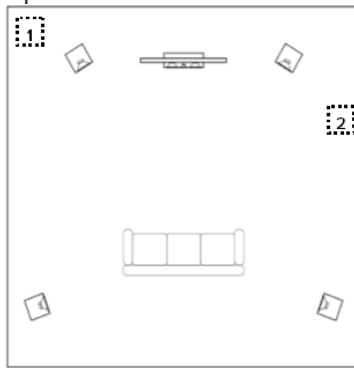
Emplacement de l'enceinte d'extrêmes basses

Trouvez le bon emplacement pour votre subwoofer peut prendre quelques essais et erreurs, mais voici quelques conseils de base pour vous aider à démarrer. Dans la plupart des cas, la meilleure position pour l'enceinte d'extrêmes basses se trouve dans le coin avant (1) de la pièce. Le fait de placer un caisson de graves dans un coin convient à la plupart des configurations de pièce et offre une meilleure chance d'éviter une zone nulle (une partie de la pièce qui subit une réduction acoustique des basses).

Si en installant l'enceinte d'extrêmes basses dans les coins crée une quantité anormale de basse, vous pouvez essayer de le déplacer vers l'une des parois latérales (2) près à l'avant de la pièce.

Si possible, la meilleure option est de déplacer l'enceinte d'extrêmes basses autour de la pièce et de trouver l'emplacement qui correspond le mieux à votre position d'écoute normale. De nombreux disques d'essai sur le marché fournissent les signaux exacts de tests pour vous aider à trouver cet emplacement optimal.

Remarque: Les fonctions PHASE et DELAY intégrées à l'enceinte d'extrêmes basses vous seront également utiles si vous rencontrez des problèmes de placement.



Le contrôle de votre Appli-Enceinte est requis

Votre subwoofer ELAC intègre un système de contrôle numérique avancé. Les potentiomètres et commutateurs rotatifs analogiques conventionnels ont été remplacés par un processeur de signal numérique (DSP), qui vous permet de régler votre subwoofer de manière pratique et précise à partir de la position d'écoute. Tous les paramètres, tels que le volume, la fréquence de coupure, la phase, etc., ainsi que les fonctions de calibrage automatique, peuvent être ajustés avec l'aide de notre APP téléphone intelligent gratuit.

Le système de contrôle numérique élimine également la possibilité de changements non désirés aux commandes et aux réglages.

Remarque: Un périphérique Android ou iOS à faible consommation d'énergie Bluetooth 4.0 ou une connexion Ethernet est nécessaire pour configurer et utiliser cette enceinte d'extrêmes basses.

Vous pouvez télécharger l'application "ELAC In Wall Sub Control" depuis l'Apple® App Store® ou Google® Play Store®.



Veuillez suivre les instructions à la page suivante pour configurer l'enceinte d'extrêmes basses de votre pièce.

Remarque: Dans le cas où votre appareil mobile nécessite un code à 4 chiffres lors de la procédure d'appariement de l'enceinte d'extrêmes basses, veuillez utiliser "0000"

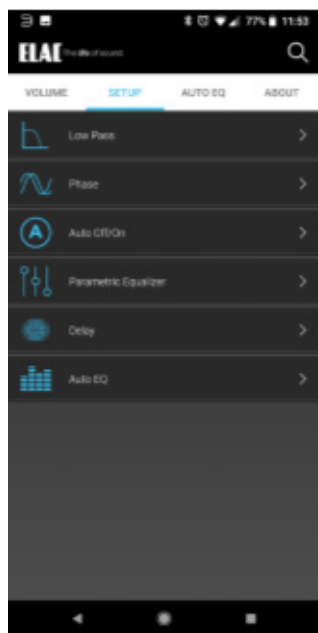
Utilisation de l'application In Wall Sub

Après l'installation et la connexion de l'enceinte d'extrêmes basses encastrable et de l'amplificateur, vous devez utiliser l'application ELAC "In Wall Sub Control" pour installer et configurer correctement l'enceinte d'extrêmes basses .

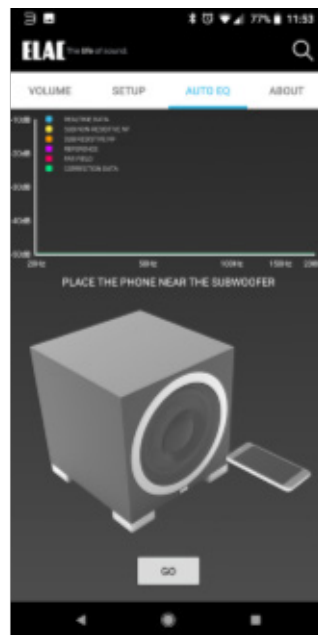
Téléchargez l'application ELAC "In Wall Sub Control" depuis le Google Play Store ou l'Apple App Store. Lancez l'application et vous devriez voir les périphériques disponibles (Bluetooth ou Ethernet). Sélectionnez l'appareil dans le menu et l'écran d'accueil devrait s'afficher.

De là, sélectionnez Auto EQ et suivez les instructions à l'écran. Le processus est nécessaire pour que l'enceinte d'extrêmes basses compense correctement le volume interne du mur et effectue l'égalisation de la pièce.

Après ce processus, vous pouvez maintenant ajuster le niveau, la phase et les câbles.



Setup Screen



Auto EQ Screen

Configurer le réseau et d'autres paramètres

Le paramètre réseau par défaut des amplificateurs de subwoofer IW-S10EQ est DHCP. Vous pouvez attribuer à l'unité une adresse IP statique dans la section réseau de l'interface graphique Web.

Pour accéder au WEBGUI, connectez l'appareil à votre réseau domestique via la prise Ethernet située à l'arrière de l'appareil. Allumez l'amplificateur et attendez qu'il démarre.

Téléchargez notre application "ELAC In Wall Sub Control" iOS / Android sur votre téléphone ou votre tablette et lancez-la. L'application devrait trouver l'amplificateur et afficher son adresse IP (Fig 1). Tapez cette adresse IP dans un navigateur sur votre ordinateur. Si vous y êtes invité, le nom d'utilisateur et le mot de passe par défaut sont admin et admin. Depuis le WEBGUI, vous pouvez mettre à jour le firmware, régler les paramètres réseau et les modes par défaut. (Fig 2 & 3)

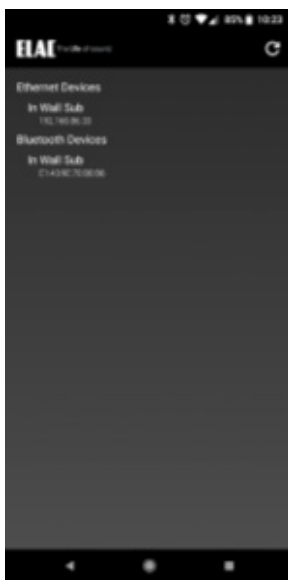


Fig 1

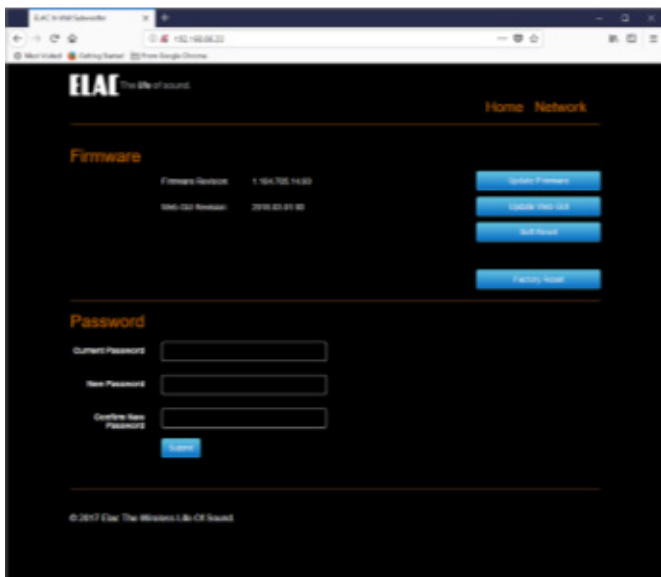


Fig 2

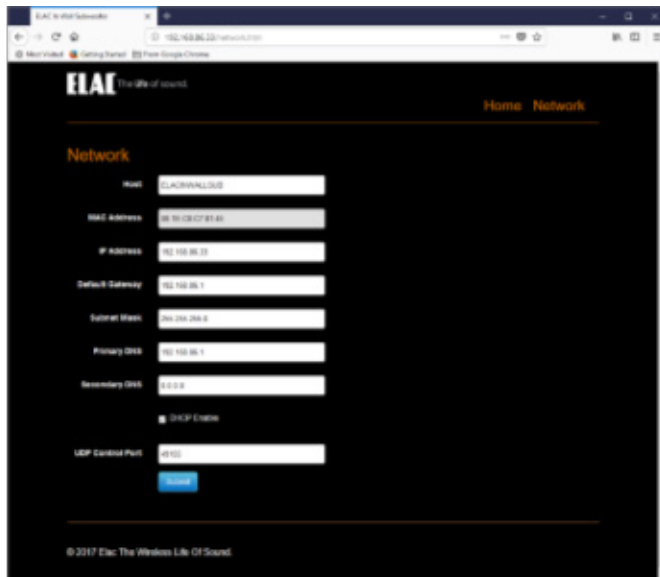


Fig 3

Mise à jour du Firmware

Pour mettre à jour le micrologiciel de l'amplificateur IW-S10EQ, suivez les instructions ci-dessous.

Téléchargez le dernier micrologiciel sur www.elac.com/firmware. Enregistrez ce fichier sur votre bureau et décompressez le fichier hexadécimal.

Tapez l'adresse IP de l'amplificateur de l'enceinte d'extrêmes basses comme expliqué dans la section « Configuration des paramètres réseau » de ce manuel.

1. Cliquez sur le bouton Update Firmware (Ceci ouvrira le navigateur de fichiers de votre ordinateur)
2. Sélectionnez le fichier hexadécimal que vous avez téléchargé et sélectionnez Ouvrir. La mise à jour commencera immédiatement.
3. L'URL dans le navigateur se mettra à jour et affichera la mention succès une fois terminé.
4. Cliquez sur le bouton Soft Reset. Après le redémarrage, la mise à jour du micrologiciel est terminée.

SPÉCIFICATIONS

| | |
|---|---|
| Type de haut-parleur | Système d'enceinte amplifiée d'extrêmes basses |
| Enceinte de basse | 10 po membrane conique en papier à grande excursions. |
| Réponse de fréquence | 28 Hz à 150 Hz |
| Fréquence croisée | 50 Hz à 150 Hz |
| Type d'amplificateur | BASH |
| Puissance maximale de l'amplificateur | 400 Watts (RMS) |
| Appli contrôlée | Oui (iOS et Android) |
| DSP | Oui |
| Consommation d'électricité en mode « veille » | 1 Watt |
| Entrées | 2 x RCA (G, D/LFE) |
| Connexion des données | Éthernet, déclencheur 12v Trigger, RS232 |
| Cabinet de haut-parleur avec finition/Amplificateur | Blanc/Noir |
| Accessoires inclus | Cordon d'alimentation CA / Modèle |

ELAC Americas Inc.

Les enceintes amplifiées d'extrêmes basses sont couvertes par une Garantie de responsabilité limitée à l'Amérique du Nord.

ELAC Americas Inc. garantit à l'acheteur original que ce produit sera exempt de défauts de fabrication pour une période de 3 (trois) ans pour le cabinet et le haut-parleur et de 1 (un) an pour l'amplificateur à compter de la date d'achat originale. Au cours de cette période, la réparation ou le remplacement de pièces seront gratuits pour le propriétaire d'origine (voir les restrictions ci-dessous). L'expédition vers le centre de réparation et son retour seront à la charge de l'acheteur original.

Restrictions

- La garantie débute à la date initiale de l'achat effectué chez un détaillant autorisé par ELAC Americas Inc.
- Le produit est garanti seulement s'il est utilisé dans des applications domestiques. La garantie de ce produit ne couvre pas une utilisation commerciale.
- Un produit qui a été modifié ou altéré de quelque façon que ce soit ne sera pas garanti.
- Un produit utilisé avec négligence ou soumis à un équipement défectueux ne sera pas garanti.
- Les produits dont les numéros de série ont été modifiés ou supprimés ne seront pas couverts par la garantie.

Si des réparations sont requises

Dans le cas où des réparations sont requises, veuillez contacter ELAC America au 888 541-0996 ou envoyez un courriel à customerservice@elac.us pour procéder aux réparations ou au remplacement du produit. Vous devrez présenter une preuve d'achat (copie ou facture originale). La totalité des frais d'expédition vers et depuis notre centre de réparation seront à la charge de l'acheteur d'origine.

Garantie à l'extérieur de l'Amérique du Nord

Cette garantie s'applique aux produits achetés aux États-Unis et au Canada. Pour les réclamations au titre de la garantie à l'extérieur de l'Amérique du Nord, veuillez contacter le revendeur/distributeur local du pays d'achat.

ELAC The life of sound.

ELAC AMERICAS INC.
11145 KNOTT AVE. SUITES E & F
CYPRESS, CA 90630

ELAC ELECTROACUSTIC GMBH
FRAUNHOFERSTRASSE 16
D-24118 KIEL, GERMANY